



## ILLUSTRATED PARTS MANUAL, LTXx SERIES

LTB9/LTF9 (Fully Cooled, 39),  
LTB5/LTF5 (Fully Cooled, 35),  
LTC9 (Visi-Combo, 39),  
LTC5 (Visi-Combo, 35),  
LTS9 (Outdoor, Fully Cooled, 39),  
LTV9 (Outdoor, Visi-Combo, 39)

L0212 REV A

AUTOMATED MERCHANDISING SYSTEMS INC  
255 WEST BURR BLVD.  
KEARNEYSVILLE, WV 25430  
304-725-6921 - Fax 304-725-6983

[www.amsvendors.com](http://www.amsvendors.com)  
[info@amsvendors.com](mailto:info@amsvendors.com)

INTERNATIONAL A.M.S. S DE RL DE CV  
KM. 9 CARR. AL CASTILLO NO. 8200  
MPIO. DE EL SALTO, JAL. MEXICO 45680  
5233-3-6-88-07-17 - Fax 5233-3-6-88-13-14

[www.amsint.com.mx](http://www.amsint.com.mx)  
[servicio@amsint.com.mx](mailto:servicio@amsint.com.mx)

THIS PAGE INTENTIONALLY LEFT BLANK

# ILLUSTRATED PARTS MANUAL

## LTB9/LTF9, LTB5/LTF5, LTC9, LTC5, LTS9, LTV9

### Table of Contents

<b>SECTION</b>	<b>PAGE</b>
<b>INTRODUCTION</b>	
General Introduction	5
Manual Organization	5
Merchandiser Identification	6
Patent Disclosure	7
Publication Notice	7
<b>CABINET ILLUSTRATIONS</b>	
Cabinet, Left and Right Rail Mounts	8
Components and Screens	12
<b>REFRIGERATION UNIT ILLUSTRATIONS</b>	
Refrigeration and Housing Assemblies	16
Refrigeration Unit, Embraco Variable Speed	18
Refrigeration Unit, 3000 BTU Tecumseh	20
Plenum Options	22
<b>DOOR ILLUSTRATIONS</b>	
External Parts (LTB9/LTF9, LTB5/LTF5, LTC9 and LTC5 Only)	24
External Front and Sides (LTS9 and LTV9 Only)	28
POS Display	30
Door, Hinges, Glass and Lighting (LTB9/LTF9, LTB5/LTF5, LTC9, LTC5 Only)	32
Glass (LTS9 and LTV9 Only)	36
Sensor System and Hopper	38
Coin Bay (LTB9/LTF9, LTB5/LTF5, LTC9, LTC5 Only)	42
Coin Bay Door and Lighting (LTS9 and LTV9 Only)	44
<b>TRAYS</b>	
Universal (Snack/Candy/Food) Tray (Snap-In Labels)	48
Universal (Snack/Candy/Food) Tray (Scrolling Labels)	52
Bottle Tray (Snap-In Labels)	54
Bottle Tray (Scrolling Labels)	56
High Capacity Heavy Product Tray (Snap-In Labels)	58
High Capacity Heavy Product Tray (Scrolling Labels)	60
Horizontal Can Tray (Snap-In Labels)	62
Horizontal Can Tray (Scrolling Labels)	64
Small Products Tray (Snap-In Labels)	66
Small Products Tray (Scrolling Labels)	68
Helix	70
<b>ELECTRICAL HARNESSSES</b>	
	74

THIS PAGE INTENTIONALLY LEFT BLANK

## **GENERAL INTRODUCTION**

The purpose of this manual is to give our customers a way of identifying major service parts for repair and replacement. The illustrations and parts list in this manual are for identification only. Some optional parts are also shown.

Illustrations of these major parts are keyed with our part numbers. The illustrations help identify the general design, position and orientation of these parts. The note section may also give important information.

Please refer to the section on merchandiser identification on the following pages. Without the model style and serial number it may be difficult to identify the required part.

Parts should be ordered from your distributor.

It is our intent to assist our customers with up-to-date documentation. However, this manual may not show all parts, variations or changes. Some parts may be shown out of scale. This manual is itself subject to change without notice. If any errors are found, please notify AMS so the correction can be included in later revisions. Engineering data and third party information are generally not included. The graphical data, group assembly data, parts, part assembly, parts breakout information and tabular data conveyed by this manual is proprietary and belongs to AMS, and holders without prior consent of or without knowledge of and by AMS must surrender this data immediately.

All measurements are in inches except where specified as Metric.

## **MANUAL ORGANIZATION**

This manual is divided into general sections. Each section is further divided into the various subsections or subassemblies. These lead off with one or more illustrations showing the parts and each part is identified with a number. Note that some part numbers are for assemblies fabricated as a unit at AMS and are replaceable only as a unit. Also, other part numbers identify optional parts which may or may not have been contracted for and factory installed by AMS.

The part number in the illustration is listed with the description or title for that part. In some instances there may be multiple parts to choose from. The correct service or repair part for the style of merchandiser must be selected. A quantities column in the list indicates quantities required.

There is a note section where additional information may be found.

This manual contains additional and new information for a vendor as currently manufactured. Older revisions of this manual should be kept with older vendors.

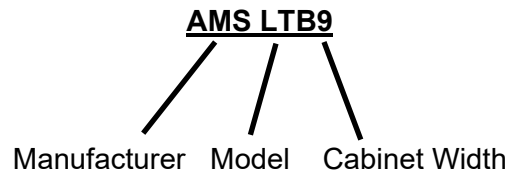
## MERCHANDISER IDENTIFICATION

When requesting service, replacement parts or technical assistance, please use the **Model Number** and the **Serial Number with Date Code**, found on the Serial Plate (See **Figure 1** below) affixed to the merchandiser. The plate is usually located inside the window. The information contained on this plate is necessary to determine what parts, kits, or maintenance apply to your vendor.



**Fig. 1 Typical Serial Plate**

### Model Number Breakdown

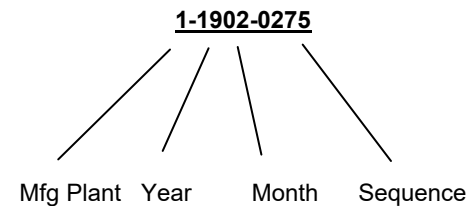


**AMS** is in all model numbers and represents the manufacturer. The next 3 characters represent the following:

- LTB:** Fully cooled without Health & Safety firmware
- LTF:** Fully cooled with Health & Safety firmware
- LTC:** Visi-Combo
- LTS:** Outdoor, fully cooled without Health & Safety firmware
- LTV:** Outdoor, visi-combo without Health & Safety firmware

The last digit indicates one of two cabinet widths— **9** for 39" and **5** for 35".

### Serial Number Breakdown



On all AMS serial numbers, the first digit identifies where a merchandiser was manufactured. Those merchandisers built in the U.S. start with the number **1**. Those merchandisers built in Mexico start with the number **2**.

The next two digits identify the year of manufacture. These numbers are **19** (for 2019) and so forth.

The next two digits identify the month. The first month of the year is **01** and the last month is **12**.

The last four digits identify the number assigned to each merchandiser during assembly. Numbering starts with **0001** and continues through **9999**.

1-1902-0275 is translated as U.S. built (1), manufactured in 2019, month of February, and was the 275th manufactured.

## **PATENT DISCLOSURE**

This merchandiser and/or certain of its components are covered by one or more of the following U.S. and international patents;

U.S. PATENTS: 6,145,699; 6,384,402; 6,520,373; 6,708,079; 6,794,634; 7,191,915; 7,343,220; 7,742,837; 7,446,302; 8,003,931

CANADIAN PATENT: 2,329,314

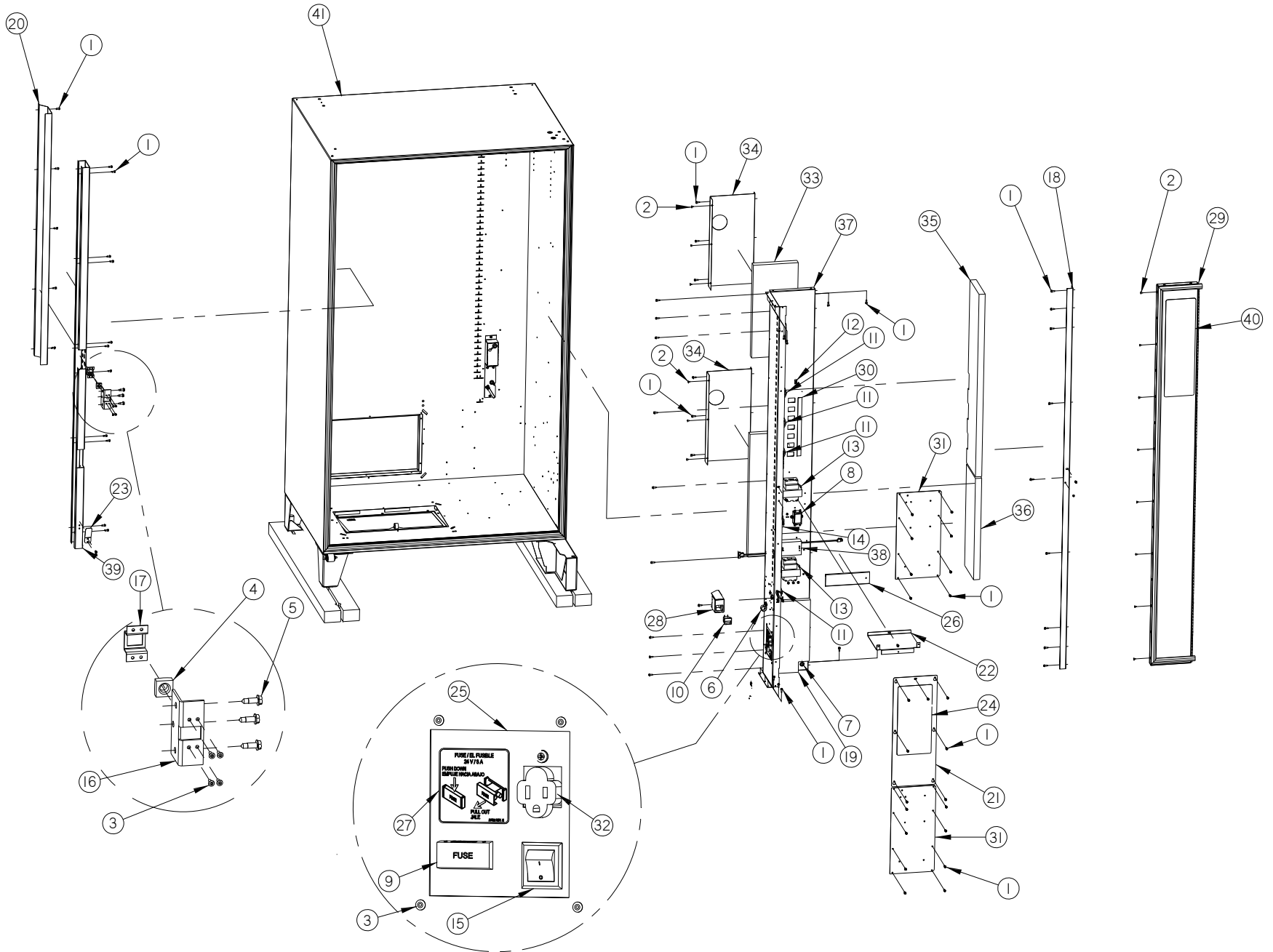
MEXICAN PATENT: 230,714

## **PUBLICATION NOTICE**

L0212, Revision A, ECN 4659, 10/15/19

It is our intent to assist our customers with up-to-date documentation: however, this manual may not contain all updates and is subject to revision without notice. Please contact our Service Department with your requests or comments.

# CABINET, LEFT AND RIGHT RAIL MOUNTS





## CABINET, LEFT AND RIGHT RAIL MOUNTS

ITEM	PART NO.	PART NAME	QTY.	NOTES
1	3000	Sheet Metal Screw (1/4" Hex)	78	
2	3009-02	1/8" Rivet (1/8" Grip)	21	
3	3009-04	1/8" Rivet (1/4") Grip	8	
4	3010	Square Machine Nut	1	
5	3018-06	Sheet Metal Screws (3/8" Hex)	3	
6	3024-12	Cable Clamp	1	
7	3029-02	Bushing, Open/Closed	2	
8	3030	RFI Filter 115V	1	
9	3133-30	Fuse Holder	1	
10	3199	Rocker Switch N/O	1	
11	3205-34	Grommet	4	
12	3229	Extension Spring, 4"	1	
13	3257	Transformer, 120V/24V	2 (1)	39" Machine gets 2 but the 35" only gets 1.
14	3274	Refrigeration Relay, Single Pole	1	
15	30084	Rocker Switch, ON/OFF	1	
16	20135	Lock Flange	1	LTS9/LTV9 Outdoor only
	21802	Assembly, Lock Flange		
17	20136	Lock Cage	1	
18	20213	Right Vertical Flange	1	
19	20334	Right Rail Mount Foam	1	
20	20481	Left Vertical Rail Mount Extension	1	
21	20880	Transformer Cover Plate	1	

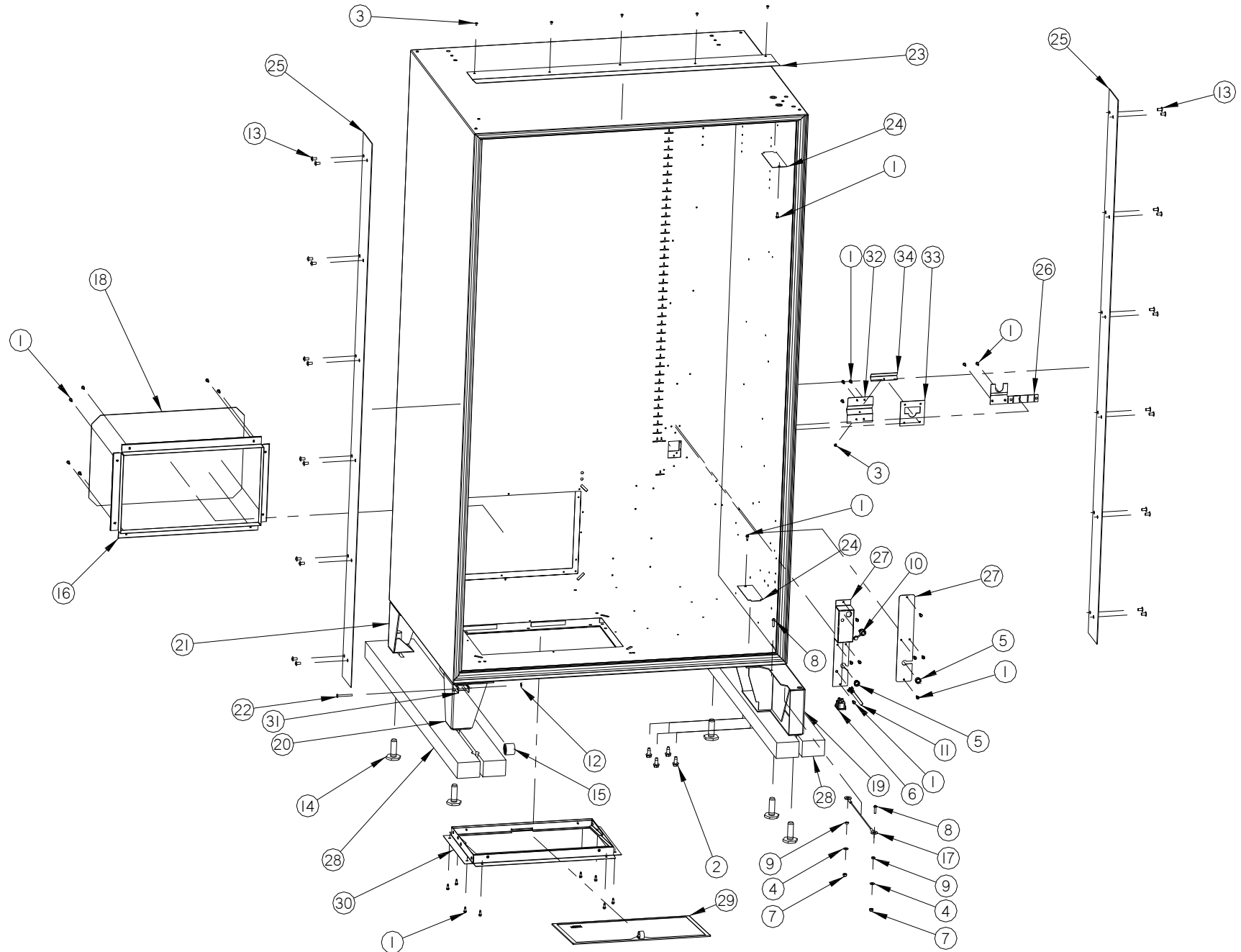
## CABINET, LEFT AND RIGHT RAIL MOUNTS

ITEM	PART NO.	PART NAME	QTY.	NOTES
22	20907	Right Rail Mount Bulkhead, 39"	1	For 39" models with 1" tray rail spacing.
	21975	Right Rail Mount Bulkhead, 35"		For 35" models with 1" tray rail spacing.
	28481	Right Rail Mount Bulkhead, 35" & 39" w/ 1/2" Rail Spacing		For all models with 1/2" tray rail spacing.
23	21087	Plate, Door Switch Spring	1	
24	21324	Warning Decal	1	
25	21479-01	Plate, Fuse Holder, Socket and Power Switch Mount	1	
26	21053	Stiffener, Right Vertical Rail Mount	1	
27	21509	24V Fuse Decal	1	
28	21691	Fan Switch Enclosure	1	
29	22005	Assembly, Right Rail Mount Door	1	
30	22041	Decal, Tray Position 1 - 7	1	
31	22463	Cover Plate, Fixed, Right Column, 24VDC Power Supply	2	
32	22815	Harness, Power Distribution, H.E.	1	
33	25016	Foam, Rear, RRM	1	
34	25020	Cover, Foam, RRM	2	
35	25439	Foam, RRM Liner, Upper	1	For 39" models with 1" tray rail spacing.
	25607	Foam, RRM Liner, Upper, 35"		For 35" models and all models with 1/2" tray rail spacing.
36	25440	Foam, RRM Liner, Lower, 39"	1	For 39" models with 1" tray rail spacing.
	25608	Foam, RRM Liner, Lower, 35"		For 35" models and all models with 1/2" tray rail spacing.

## CABINET, LEFT AND RIGHT RAIL MOUNTS

ITEM	PART NO.	PART NAME	QTY.	NOTES
37	25459	Rail Mount, Right Vertical, 39"	1	For 39" models with 1" tray rail spacing.
	21913	Rail Mount, Right Vertical, 35"		For 35" models with 1" tray rail spacing.
	28233	Rail Mount, Right Vertical, 1/2 in. Spacing		For models with 1/2" tray rail spacing.
38	25690	Harness, Power Supply, 12VDC	1	
39	28004	Left Rail Mount, FC ADA Classic	1	For all models with 1" tray rail spacing.
	28232	Left Rail Mount, 1/2 in. Spacing		For models with 1/2" tray rail spacing.
40	24489	Decal, Programming Instructions, S3	1	
41	21989	Assembly, Cabinet (35")	1	Contact AMS For Your Application
	22071	Assembly, Cabinet (39")		
	28487	Assembly, Cabinet 1/2 in. Spacing (35")		
	28479	Assembly, Cabinet 1/2 in. Spacing (39")		

# COMPONENTS AND SCREENS



## COMPONENTS AND SCREENS

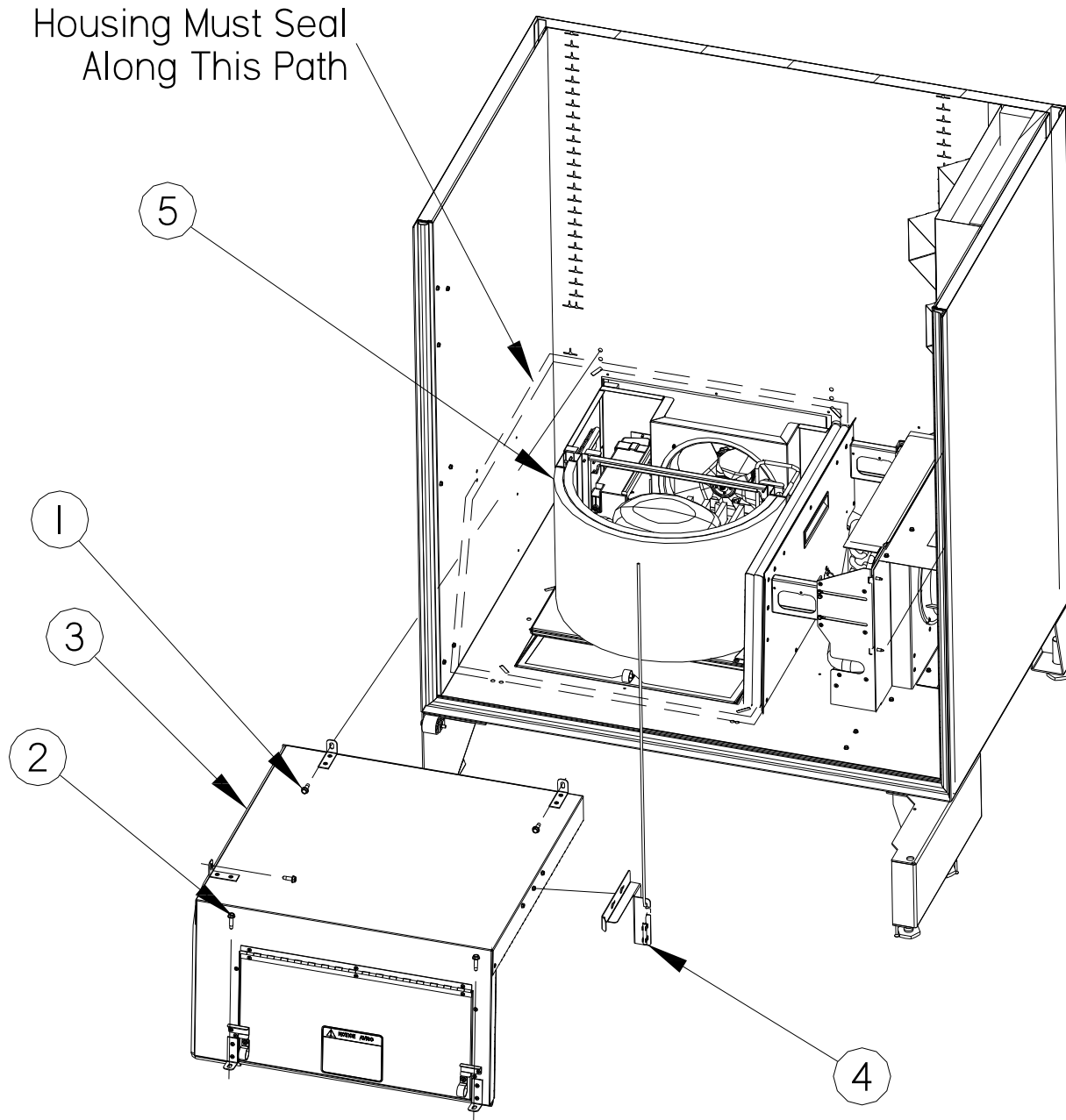
ITEM	PART NO.	PART DESCRIPTION	QTY.	NOTES
1	3000	Sheet Metal Screw (1/4" HEX)	24	
2	3007-06	Screw, Machine, 5/16—18, Taptite	16	
3	3009-02	1/8" Rivet (1/8" Grip)	1	
4	3017-10	Washer, Flat Steel, SAE STD. #10 Screw	2	
5	3029-02	Bushing, Open/Closed	1	
6	3057	Inlet, Panel Mount, IEC	1	
7	3060-10	Nut, 10-32 w/Nylon Insert	2	
8	3061-06	Screw, 10-32 x 3/4 Phillips Pan Head	2	
9	3067	Spacer, .192 ID x .125 Length x 3/8 Dia.	2	
10	3080	Strain Relief, Button Lock	1	
11	3081	Wire Tie, 0.250 Panel Mount	1	
12	3113	Push Nut, 3/16" Stud	1	
13	3172-02	Rivet, Aluminum, 1/4" Natural (1/4" Grip)	24	
14	20121	Leveling Leg	5	
15	20177	Molded Roller	1	
16	20275	Trim, Chiller Hole	1	
17	20277	Cable Assembly, Door Stop	1	
18	20279	Screen, Rear Chiller Hole	1	
19	21122	Assembly, Leg, Front Hinge w/ Thread Cover	1	
20	21123	Assembly, Leg, Left Front with Thread Cover	1	
21	21124	Assembly, Leg, rear with Thread Cover	2	
22	21250	Shaft, Headed Roller	1	
23	21775	Inner Rain Cover Plate	1	LTS9/LTV9 Outdoor only
24	21866	Cover Plate, Hinge Hole	1 (2)	Qty. 2 on LTS9/LTV9 Outdoor only
25	21867	Anti-Vandal Plate, Inner, Outdoor Vendor	2	LTS9/LTV9 Outdoor only
26	21878	Plate, Grommet, Wrapper Back, Outdoor Vendor	1	LTS9/LTV9 Outdoor only
27	21986	Plate, Wire Bushing, Tank Back, Outdoor Vendor	1	LTS9/LTV9 Outdoor only
	25790	Cover, Wire Bushing		

## COMPONENTS AND SCREENS

ITEM	PART NO.	PART DESCRIPTION	QTY.	NOTES
28	23231	Shipping Board	2	
	23231-01	Shipping Board	2	
	23231-02	Shipping Board	2	
	23231-03	Shipping Board	2	
	23231-04	Shipping Board	2	
	24779	Pallet, Shipping, Heavy Duty	1	Contact AMS.
29	21463	Screen, Bottom Chiller Hole, 4 Mesh (35")	1	
	21469	Screen, Bottom Insect (35")	1	
	23262	Assembly, Condenser Screen	1	
30	23263	Assembly, Condenser Screen Holder	1	
	21464	Trim, Bottom Chiller Hole (35"), Version 2	1	
31	23800	Assembly, Leg Roller	1	Includes roller, pin and push nut
32	25741	Cover, Power Cord Exit	1	
33	25742	Liner, Power Cord Exit	1	
34	25791	Liner, Power Cord Cover	1	

THIS PAGE INTENTIONALLY LEFT BLANK

## REFRIGERATION AND HOUSING ASSEMBLIES



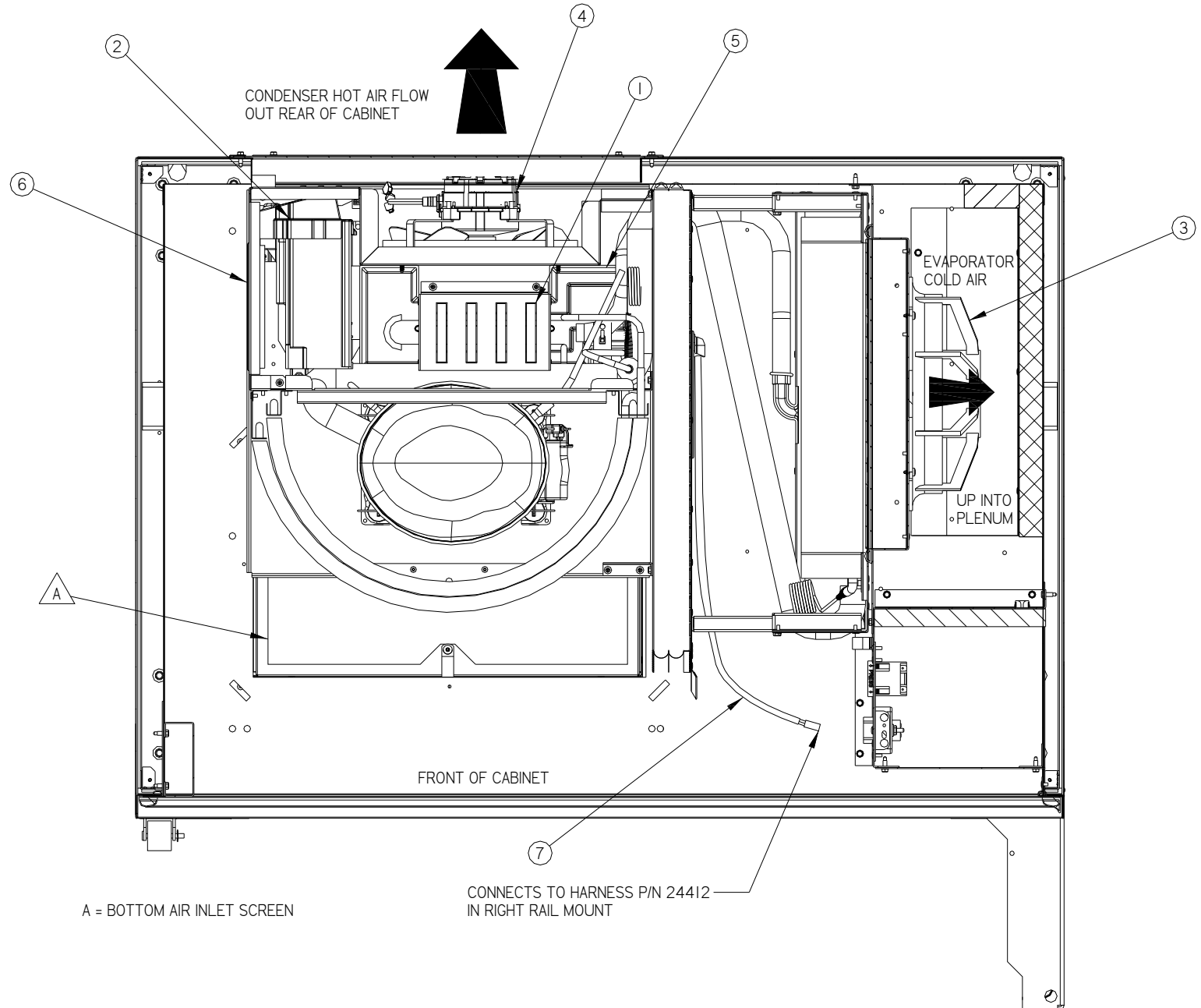


## REFRIGERATION AND HOUSING ASSEMBLIES

ITEM	PART NO.	PART DESCRIPTION	QTY.	NOTES
1	3018-06	Screw, 1/4" x 3/4", Self Tapping, Hex Head	3	For Attaching To Tank Walls
2	3018-08	Screw, 1/4" x 1", Self Tapping, Hex Head	2	For Attaching To Tank Floor
3	24361	Assembly, Top Bulkhead, Chiller Cover, MU, 39"	1	Housing Must Seal Against Cabinet As Shown Supplied with access Door
	24367	Assembly, Top Bulkhead, Chiller Cover, MU, 35"		
4	25063	Assembly, Temp Sensor, HE MU	1	
5	28300	Assembly, Refrigeration, Embraco Variable Speed, 115V	1	
	26033	Assembly, Refrigeration Unit, 3000 BTU, MU, Reduced Noise		

**NOTE:** Refrigeration units are charged with refrigerant and are replaceable only as an assembly. The refrigeration system is pressurized and sealed at the factory. Puncturing or cutting any component in the system will cause refrigerant gas and liquid to be propelled out of the system, creating an immediate physical hazard. Use caution to avoid accidentally opening the refrigerant system. It should also be noted that releasing refrigerant to the atmosphere is a federal crime and is punishable by law. Any service work requiring the system to be opened must be performed by a licensed technician using certified recovery equipment. Unauthorized service to the sealed refrigerant system may void the warranty.

# REFRIGERATION UNIT, EMBRACO VARIABLE SPEED

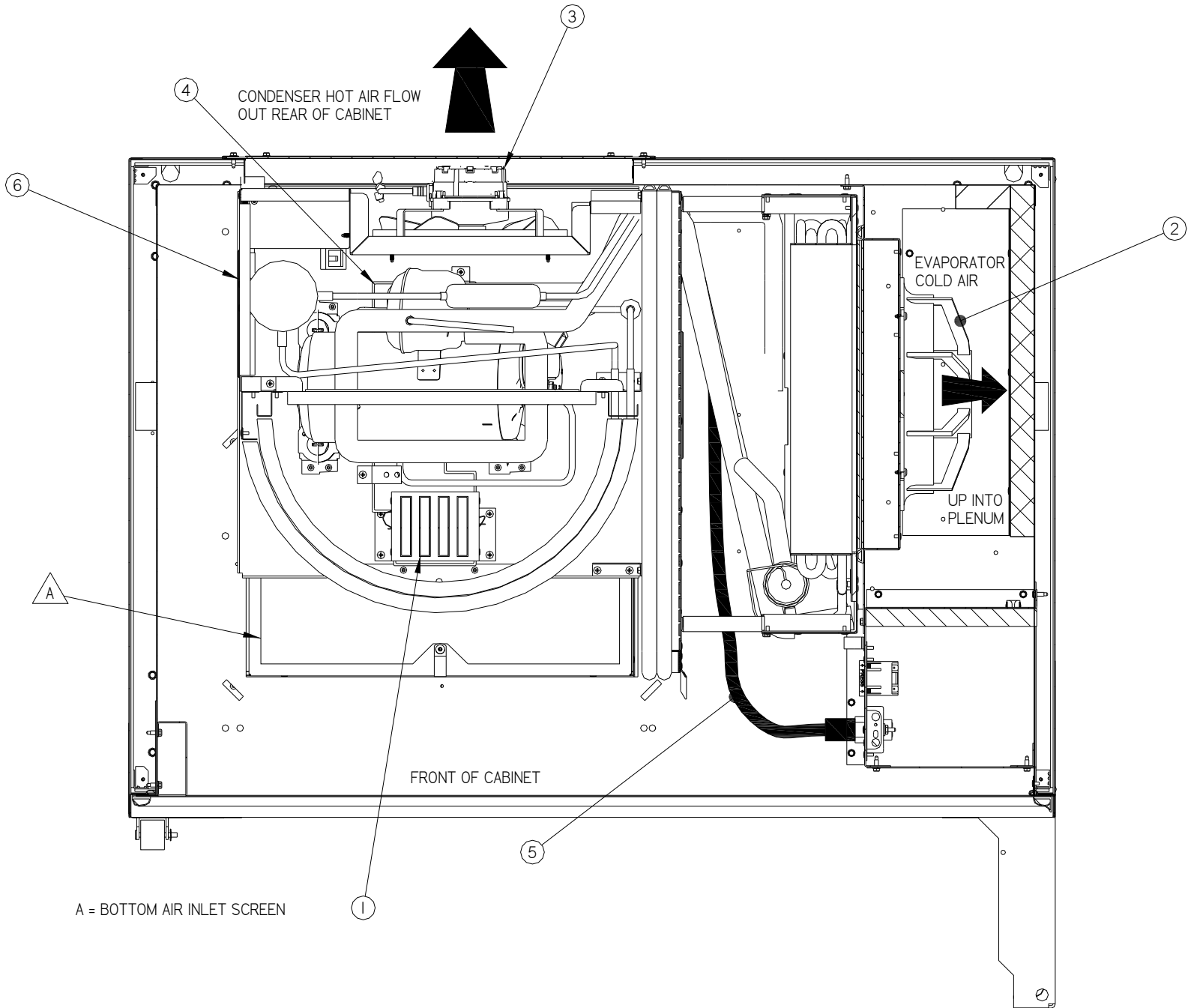


REFRIGERATION UNIT, EMBRACO VARIABLE SPEED

ITEM	PART NO.	PART DESCRIPTION	QTY.	NOTES (See Note A Below)
1	3093-01	Sponge (Condenser Drain Pan)	4	
2	3690-02	Compressor Inverter, Variable Speed	1	
3	3819	Fan Assembly, EBM/Papst, 1300/900 RPM	1	
4	3930	Condenser Fan, ECPlus	1	
5	24585	Drain Pan, Condenser Side, MU	1	
6	28300	Assembly, Refrigeration, Embraco Variable Speed, 115V	1	
7	28351	Harness, Refrigeration, EVS	1	

**NOTE A:** Refrigeration units are charged with refrigerant and are replaceable only as an assembly. The refrigeration system is pressurized and sealed at the factory. Puncturing or cutting any component in the system will cause refrigerant gas and liquid to be propelled out of the system, creating an immediate physical hazard. Use caution to avoid accidentally opening the refrigerant system. It should also be noted that releasing refrigerant to the atmosphere is a federal crime and is punishable by law. Any service work requiring the system to be opened must be performed by a licensed technician using certified recovery equipment. Unauthorized service to the sealed refrigerant system may void the warranty.

# REFRIGERATION UNIT, 3000 BTU TECUMSEH

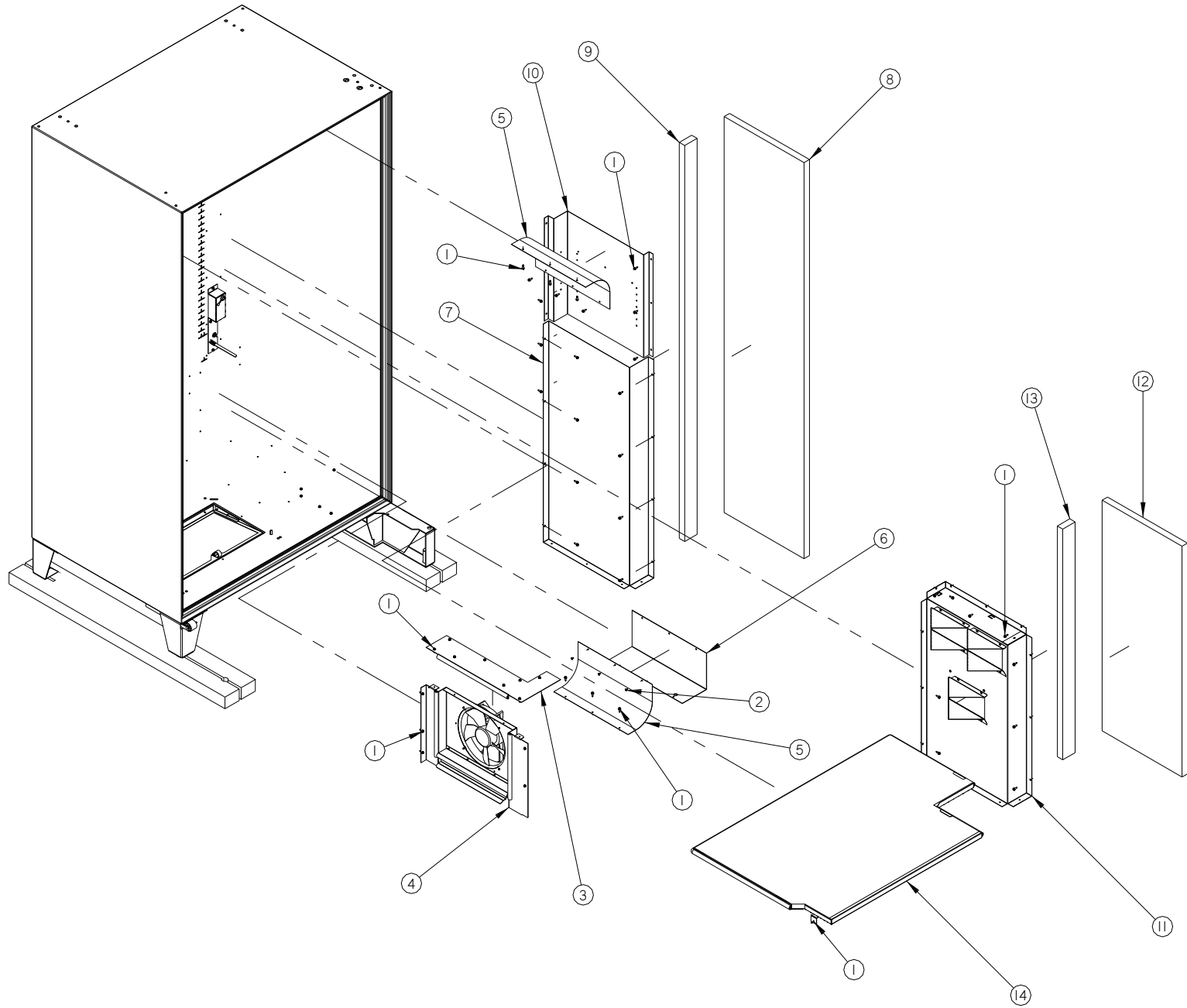


REFRIGERATION UNIT, 3000 BTU TECUMSEH

ITEM	PART NO.	PART DESCRIPTION	QTY.	NOTES (See Note A Below)
1	3093-01	Sponge (Condenser Drain Pan)	4	
2	3819	Fan Assembly, EBM/Papst, 1300/900 RPM	1	
3	3930	Condenser Fan, ECPlus	1	
4	24585	Drain Pan, Condenser Side, MU	1	
5	25809	Harness, Refrigeration, H.E. MU	1	
6	26033	Assembly, Refrigeration Unit, 3000 BTU, MU, Reduced Noise	1	

**NOTE A:** Chiller assemblies are charged with refrigerant and are replaceable only as an assembly. The refrigeration system is pressurized and sealed at the factory. Puncturing or cutting any component in the system will cause refrigerant gas and liquid to be propelled out of the system, creating an immediate physical hazard. Use caution to avoid accidentally opening the refrigerant system. It should also be noted that releasing refrigerant to the atmosphere is a federal crime and is punishable by law. Any service work requiring the system to be opened must be performed by a licensed technician using certified recovery equipment. Unauthorized service to the sealed refrigerant system may void the warranty.

# PLENUM OPTIONS



## PLENUM OPTIONS

ITEM	PART NO.	PART DESCRIPTION	QTY.	NOTES	PLENUM OPTION
1	3000	Sheet Metal Screw (1/4" HEX)	16		Required for all plenum options.
2	3009-02	1/8" Rivet (1/8" Grip)	3		
3	24601	Assembly, Cover, Evaporator Fan, MU, 39"	1	For 39" models with 1" tray rail spacing.	
	24651	Assembly, Cover, Evaporator Fan, MU, 35"		For all 35" models.	
	28514	Assembly, Cover, Evaporator Fan, MU, 39", V2		For 39" models with 1/2" tray rail spacing.	
4	25021	Assembly, Shroud, Evaporator Fan, H.E. MU, 39"	1	For 39" models with 1" tray rail spacing.	
	25051	Assembly, Shroud, Evaporator Fan, H.E. MU, 35"		For all 35" models.	
	28396	Assembly, Shroud, Evaporator Fan, H.E. MU, 39"		For 39" models with 1/2" tray rail spacing.	
5	25437	Air Deflector	1		
6	25438	Brace, Air Deflector	1		
1	3000	Sheet Metal Screw (1/4" HEX)	20		Fully Cooled plenum option.
5	25437	Air Deflector	1		
7	20317	Evaporator Plenum	1		
8	25017	Foam, Side, Plenum (Fully Cooled)	1		
9	25018	Foam, Rear, Plenum (Fully Cooled)	1		
10	25019	Cover, Foam, Plenum	1		
1	3000	Sheet Metal Screw (1/4" HEX)	14		Combo plenum option.
11	22085	Assembly, Plenum, Visi-Combo	1		
12	25017-01	Foam, Side, Plenum (Combo)	1		
13	25018-01	Foam, Rear, Plenum (Fully Cooled)	1		
14	28377	Assembly, Bulkhead, 39" (LTC9, LTV9)	1	For 39" models with 1" tray rail spacing.	
	28398	Assembly, Bulkhead, 35" LTC5		For all 35" models.	
	28504	Assembly, Bulkhead, 39", Universal		For 39" models with 1/2" tray rail spacing.	





EXTERNAL PARTS (LTB9/LTF9, LTB5/LTF5, LTC9,LTC5 ONLY)

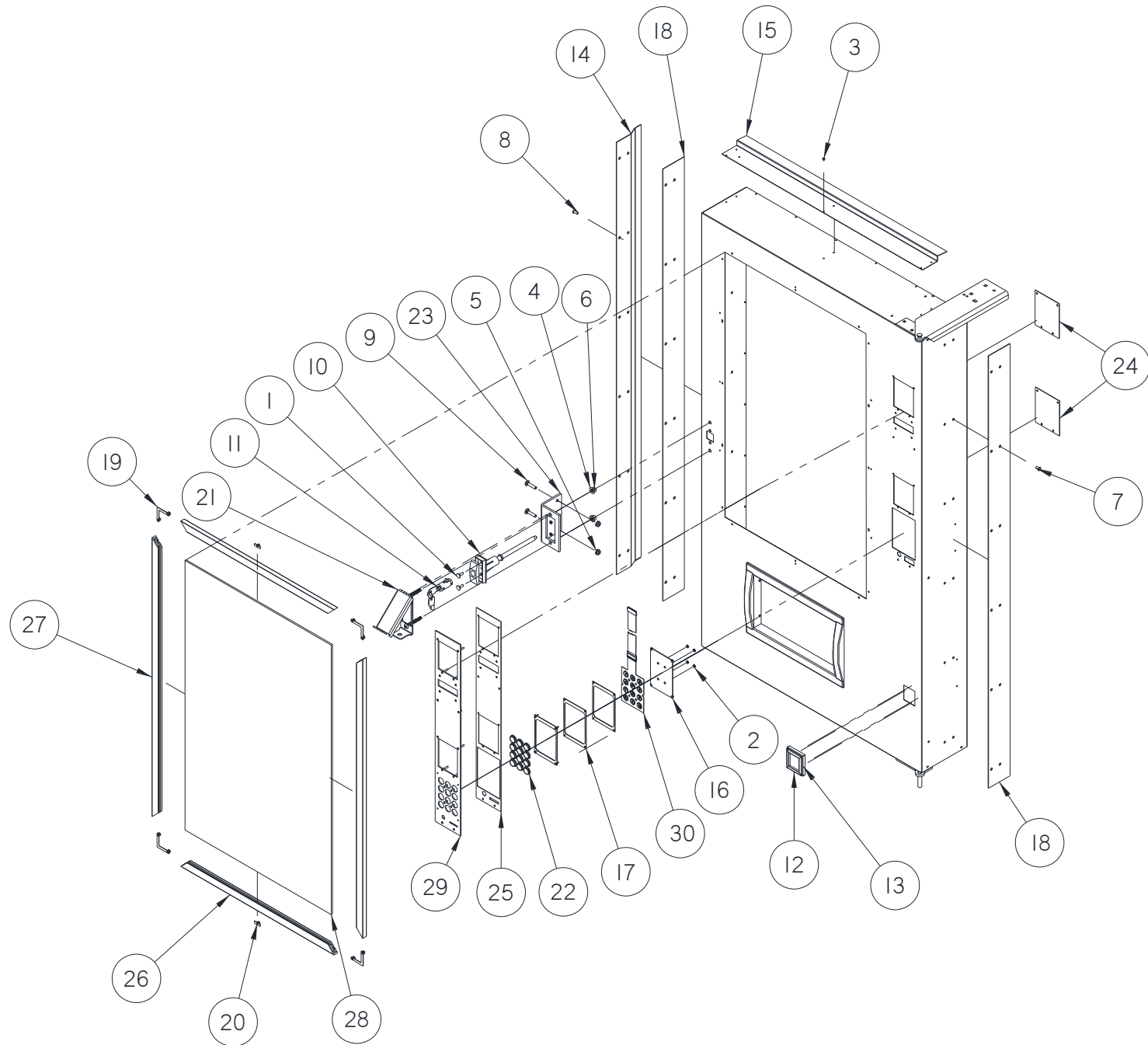
ITEM	PART NO.	PART DESCRIPTION	QTY.	NOTE
1	3004-06	Carriage Bolt, 1/4-20, 3/4"	2	For Securing Window Covers
2	3006-08	Nut, Hex, Machine Screw, 8-32	16	
3	3006-10	Nut, Hex, Machine Screw, 10-24	8	
4	3011	Nut, Self Threading, 1/4" Stud	6	
5	3153-11	Nut, Hex Head w/Lockwasher	2	
6	3289-02	Screw, Type B, #8, Panhead, Phillips	4	
7	3354-07	Carriage Bolt, 10-24 x 7/8" L	8	
8	20130	T-Handle Assembly	1	
9	20131	Lock, T-Handle Cylinder	1	
10	22088	Assy., Retainer Strip, Corner, Outdoor Vendor	4	
11	22089	Assy., Trim Retainer Strip, Single, Outdoor Vendor	2	
12	22090	Assy., Trim Retainer Strip, Side, Outdoor Vendor	2	
13	22175	Lens, Escutcheon, GFM, Ver.2	1	
14	27473	Braille Button Matrix	1	
15	22184-01	Cover, DBV, Plastic Escutcheon, Gray	1	Optional
16	23372	Trim, Plastic Coin Cup	1	
17	24616	Escutcheon, Plastic Epoch	1	
—	24623	Assy., Escutcheon/Keypad, Epoch (w/o DBV Cover)	1	Includes Escutcheon, Lighted Keypad & Buttons and Display Lens (Not Shown)
18	24782	Membrane, Switch Mounting Plate, Lighted Keypad, Epoch	1	
19	25036-01	Trim, Extruded, Window Cover (26.78")	2	
20	25036-02	Trim, Extruded, Window Cover (42.14")	2	
21	25037-01	Window Cover, Polycarbonate, VRM	1	
22	25080	Trim, Vend Eyelet, Epoch	1	

## EXTERNAL PARTS (LTB9/LTF9, LTB5/LTF5, LTC9,LTC5 ONLY)

ITEM	PART NO.	PART DESCRIPTION	QTY.	NOTE
23	27836-XX	Assy., Foamed Door, FC ADA Classic, LT (39")	1	Contact AMS for your application
	28173-XX	Assy., Foamed Door, FC ADA Classic, LT (39") Covered Window		Optional Covered Window
	28226-XX	Assy., Foamed Door, FC ADA Classic, LT (35")		
24	25688	Assembly, Lighted Keypad	1	

THIS PAGE INTENTIONALLY LEFT BLANK

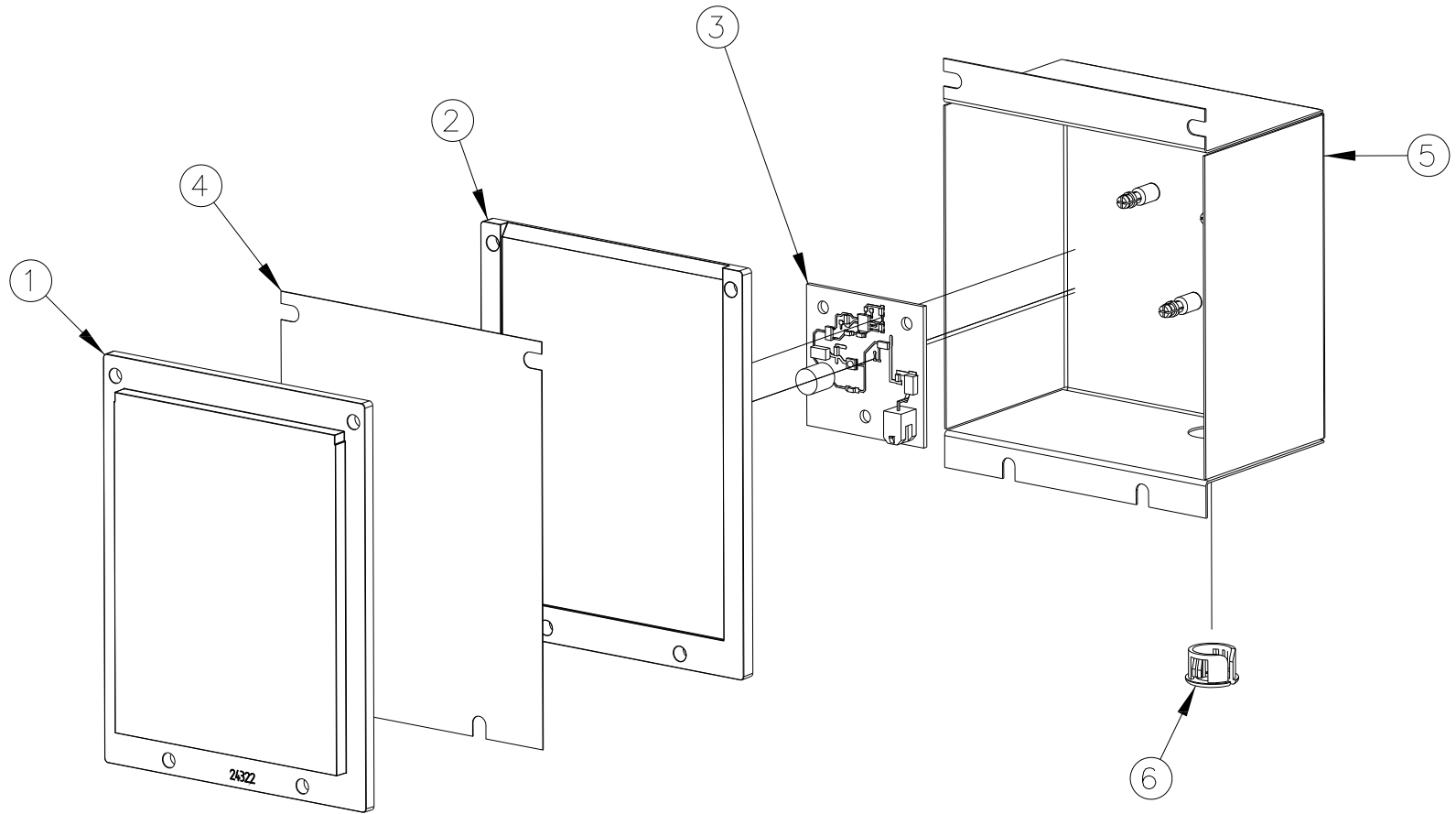
### EXTERNAL FRONT AND SIDES (LTS9 AND LTV9 ONLY)



EXTERNAL FRONT AND SIDES (LTS9 AND LTV9 ONLY)

ITEM	PART NO.	PART DESCRIPTION	QTY.	NOTE
-	28133	Assy, Door, Less Options, Outdoor Vendor w/ Lift Hopper	1	
1	3004-06	Carriage Bolt, 1/4—20, 3/4"	6	
2	3006-08	Nut, Hex, Machine Screw, #8-32	6	For Attaching Escutcheon, Window Trim
3	3009-02	Rivet, Pop, Steel, 1/8 x 1/4 Grip	32	
4	3017-15	Washer, Flat Steel, SAE STD #10	2	
5	3153-12	5/16" Hex Nut	2	For Attaching Lockplate
6	3153-13	Nut, Hex w/ Lockwasher, 3/8-16	2	For Attaching Lock Cover Assembly
7	3172-02	Rivet, Aluminum, 1/4" Natural	12	For Attaching Outer Anti-Vandal Plate
8	3172-03	Rivet, Aluminum, 3/8" Natural	12	
9	3313-12	Carriage Bolt, 5/16-18	4	For Attaching Lockplate
10	20130	T-Handle Assembly	1	
11	20131-05	Lock, T-Handler Cylinder w/1002 Keys	1	
12	20330-01	Trim, Extruded Edge, 2.45	2	2.9" Long
13	20330-02	Trim, Extruded Edge, 2.73	2	2.6" Long
14	20604	Anti-Vandal Plate, Outer	1	
15	21776	Rain Cover Plate, Outer	1	
16	21780	Membrane Switch Mounting Plate, Escut., Steel	1	
17	21823	Plate, Spacer, Steel Escutcheon	3	
18	21867	Anti-Vandal Plate, Inner, Outdoor	2	
19	22088	Assy., Retainer Strip, Corner, Outdoor	4	Inserts into Trim Covers
20	22089	Assy., Retainer Strip, Single, Outdoor	2	Inserts into Short Trim
21	22103	Assy., Lock Cover Recessed T-Handle	1	
22	27473	Braille button matrix	1	
23	22916	Plate, Lock Cover	1	** Doors with formed square corners **
23	25954	Plate, Lock Cover, R	1	** Doors with radius (1/2") corners **
24	23557	DBV Cover Plate (Powder Coated)	2	
25	24951	Seal, Steel Escutcheon, Epoch	2	
26	25036-01	Trim, Extruded Edge, Window Cover, 26.78"	2	
27	25036-02	Trim, Extruded Edge, Window Cover, 42.14"	2	
28	25037-01	Window Cover, Polycarbonate, Outdoor	1	
29	25079	Assy., Steel Escutcheon W/ Keypad, Epoch	1	Includes Escutcheon, Lighted Keypad and Buttons and Display Lens
30	25688	Assy., Lighted Keypad	1	

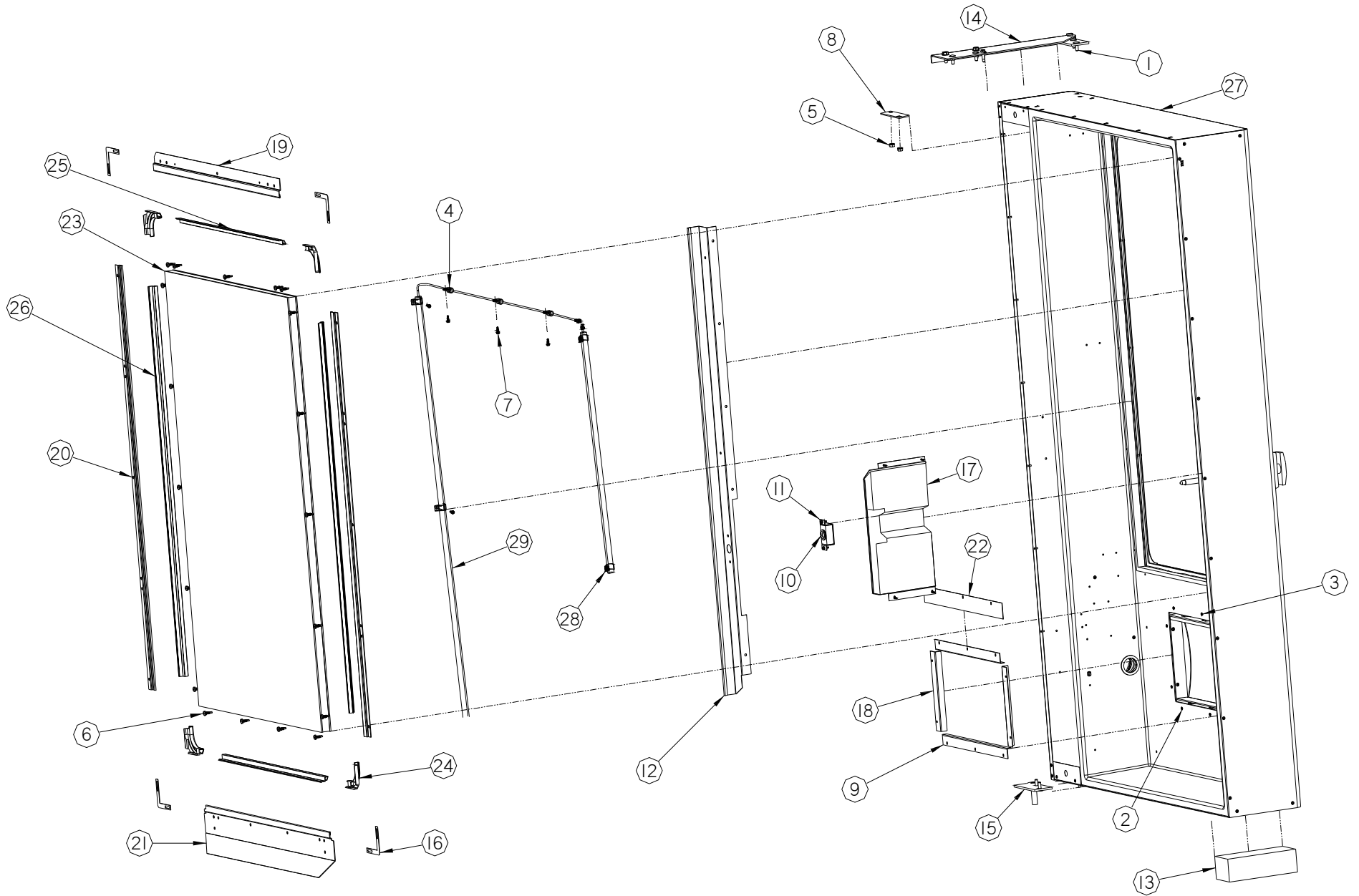
# POS DISPLAY



POS DISPLAY

ITEM	PART NO.	PART DESCRIPTION	NOTES
1	24322	POS Display Insert	
2	24323	POS Display Diffuser	
3	24329	LED Board	
4	24767	POS Display Card (AMS)	English
	24768	POS Display Card (IAMS)	Spanish
5	24339	Light Box Assembly	
6	3029-02	Bushing	

# DOOR, HINGES, GLASS AND LIGHTING (LTB9/LTF9, LTB5/LTF5, LTC9, LTC5 ONLY)





DOOR, HINGES, GLASS AND LIGHTING (LTB9/LTF9, LTB5/LTF5, LTC9, LTC5 ONLY)

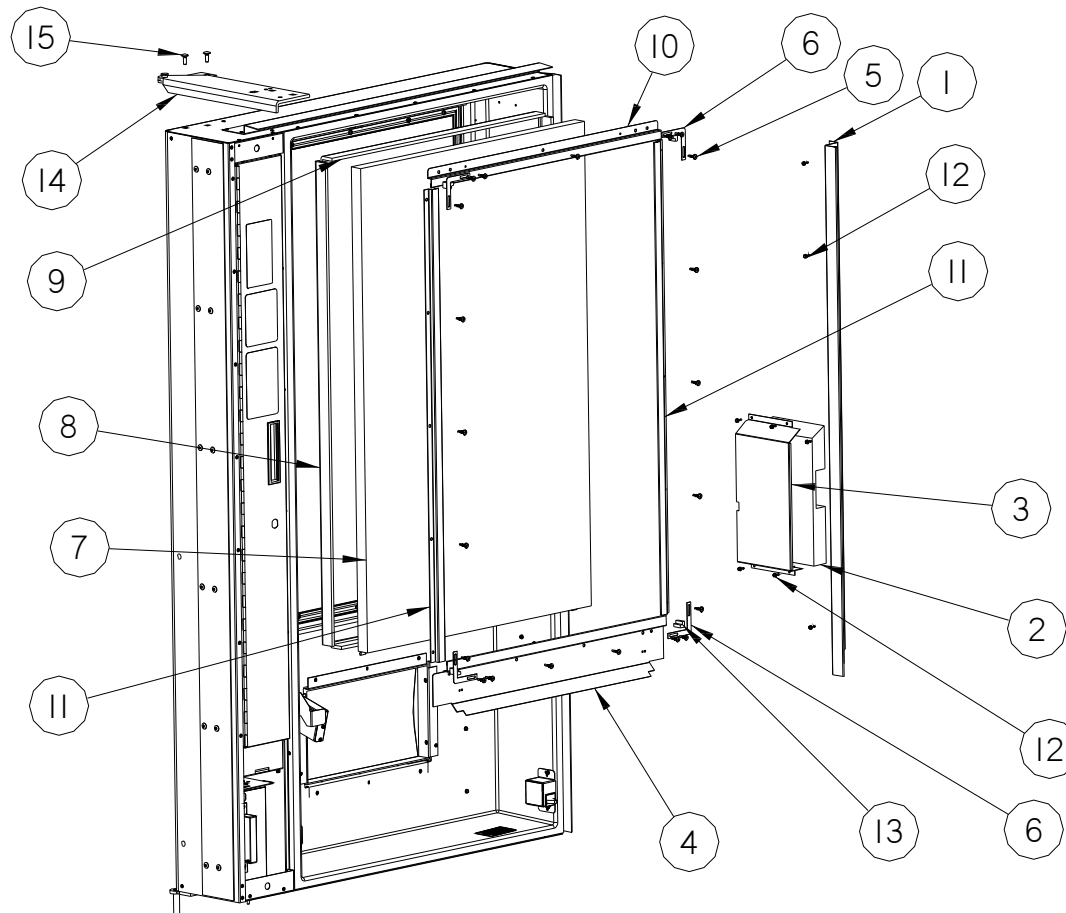
ITEM	PART NO.	PART DESCRIPTION	QTY.	NOTE
1	3004-06	Carriage Bolt, 1/4-20, 3/4"	8	For Hinges and T-Handle
2	3009-02	Rivet, Steel, 1/8" Black, 1/8" Grip	11	For Eyelet Retainers except Top
3	3009-04	Rivet, Steel, 1/8" Black, 1/4" Grip	3	For Top Eyelet Ret and Block Plate
4	3024-06	Cable Clamp, 3/8" Dia. Black Nylon	3	Holds Light Harness
5	3153-11	Nut, Hex With Lock Washer	4	For Hinges
6	3251-06	Screw, Sheet Metal, #12 X 3/4" L Tek, Pan Head	19	For Glass Retainers
7	3342-04	Screw, Sheet Metal, Tek 8-18, Clear Zinc, 1/2" L	15	For Dual LED Option
8	20206	Hinge, Washer Plate	2	
9	20401	Retainer, Horizontal Eyelet	2	
10	20852	T-Handle Seal	2	
11	20857	Lock Bolt Bracket	1	
12	28007-01	Tray Restraint, FC ADA Classic	1	
13	21166-01	Assembly Kit, False leg	1	
14	21703	Assembly, Top Hinge, 3/16"	1	
15	21704	Assembly, Bottom Hinge, 3/16"	1	
16	22036	Plate, Ground, Glass Retainer	4	
17	22068	Assembly, Lock Bolt Cover, L/T	1	
18	22381	Retainer, Vertical Eyelet	2	
19	23656-01	Top Glass Retainer, (39")	1	
	24032-01	Top Glass Retainer, (35")		
20	23657-01	Vertical Glass Retainer (39")	2	
	25288-01	Vertical Glass Retainer (35")		
21	28003	Lower 1" Glass Retainer (39")	1	
	28231	Lower 1" Glass Retainer (35")		
22	28058	Blocking Plate	3	

## DOOR, HINGES, GLASS AND LIGHTING (LTB9/LTF9, LTB5/LTF5, LTC9, LTC5 ONLY)

ITEM	PART NO.	PART DESCRIPTION	QTY.	NOTE
23	24652-01	Assy., Window (39") with Foam Tape	1	
	24664	Assy., Window (35") with Foam Tape		
24	24099	Corner, Window Trim	4	
25	24761-11	Extrusion, Glass Installation, Ver. 2, 22.38 (39")	2	Horizontal, Use with Glass
	24761-13	Extrusion, Glass Installation, Ver. 2, 16.91 (35")		
26	24761-12	Extrusion, Glass Installation, Ver. 2, 37.68 (39")	2	Vertical, Use with Glass
	24761-14	Extrusion, Glass Installation, Ver. 2, 36.59 (35")		
27	27836-XX	Assy., Foamed Door, FC ADA Classic, LT (39")	1	
	28173-XX	Assy., Foamed Door, FC ADA Classic, LT (39") Covered Window		
	28226-XX	Assy., Foamed Door, FC ADA Classic, LT (35")		
28	25631	Mounting Clip, LED Lightbar	5	
29	27911	Assembly, Cleanlife Lighting	1	

THIS PAGE INTENTIONALLY LEFT BLANK

## GLASS (LTS9 AND LTV9 ONLY)



**GLASS (LTS9 AND LTV9 ONLY)**

<b>ITEM</b>	<b>PART NO.</b>	<b>PART DESCRIPTION</b>	<b>QTY.</b>	<b>NOTE</b>
1	20965-01	Tray Restraint, Low Temp, Reduced Depth	1	
2	21637	Foam, Lock Bolt Cover, Low Temp	1	
3	21636	Lock Bolt Cover, Low Temp, Ver. E	1	
4	28083	Retainer, 1-1/8" Heated Glass, Lower (39")	1	
5	3251-06	Screw, Sheet Metal, Tek #12 (3/4" Length)	21	
6	22036	Plate, Ground, Glass Retainer	4	
7	21861	Window, Glass, 1 1/8" Heated Triple Pane (39")	1	
8	28085-01	Extrusion, VRM Window Glass W/Out Hinge (25.25")	2	
9	28085-02	Extrusion, VRM Window Glass W/Out Hinge (41.65")	2	
10	28081	Retainer, 1-1/8" Heated Glass, Top (39")	1	
11	28082	Retainer, 1-1/8" Heated Glass, Vertical (39")	2	
12	3342-04	Screw, Sheet Metal, TEK 8-18, Clear Zinc	9	
13	3700	Permagum (Duct Seal)	0.25 lb.	
14	21791	Assembly, Top Hinge, VRM	1	
15	3004-06	Carriage Bolt, 1/4-20 (3/4" Length)	2	



## SENSOR SYSTEM AND HOPPER

ITEM	PART NO.	PART DESCRIPTION	QTY.	NOTES
1	3000	Screw, Sheet Metal TEK 8-18	12	
2	3001-03	Screw, Sheet Metal, Type B, 8-18	2	
3	3006-08	Nut, Hex, Machine Screw 8-32	4	
4	3017-10	Washer, Flat Steel, SAE Std. , #10 Screw 7/32 X 1/2	20	
5	3113	Pushnut, 3/16" Stud	2	Harness Pass-Through
6	3205-24	Grommet, 1-1/2"	1	
7	3251-06	Screw, TEK #12 x 3/4"	8	
8	3342-04	Screw, Sheet Metal, TEK 8-18	4	
9	26757-03	Vend Door Shaft, 3/16" Diameter, 24.15" Long	1	
	26757-04	Vend Door Shaft, 3/16" Diameter, 20.60" Long		
10	21692	Plate, Fan Switch Striker, Ver. 2	1	
11	28090	Assembly, Product Kicker Control Side	1	(Right Hand When Facing Front Of Vendor)
12	28091	Assembly, Product Kicker T-Handle Side	1	(Left Hand When Facing Front Of Vendor)
13	21737	Assembly, Product Sensor Emitter, Sensit II	1	
14	21738	Assembly, Product Sensor Detector, Sensit II	1	
15	28034	Assembly, Lift Hopper (39")	1	
	28195	Assembly, Lift Hopper (35")		
16	28037	Assembly, Vend Door, Lift Hopper (39")	1	LTB9, LTF9, LTC9
	28037-01	Assembly, Vend Door, Lift Hopper (39")		LTS9, LTV9
	28197	Assembly, Vend Door, Lift Hopper (35")		LTB5, LTF5, LTC5
17	26051	Sensor Extension	2	
18	27665	Sensor Board, Primary, Ver. 6 (39")	1	Add (1) Sensor Extension 26051
	27665-01	Sensor Board, Primary, Ver. 6 (35")		
19	27666	Sensor Board, Secondary, Ver. 6	1	Add (1) Sensor Extension 26051
20	28135	Assembly, Primary Delivery Sensor Bracket, Epoch	1	
21	28136	Assembly, Secondary Delivery Sensor Bracket	1	
22	22128	Assembly, Secondary Delivery Sensor Cover	1	
23	22130	Assembly, Primary Delivery Sensor Cover	1	

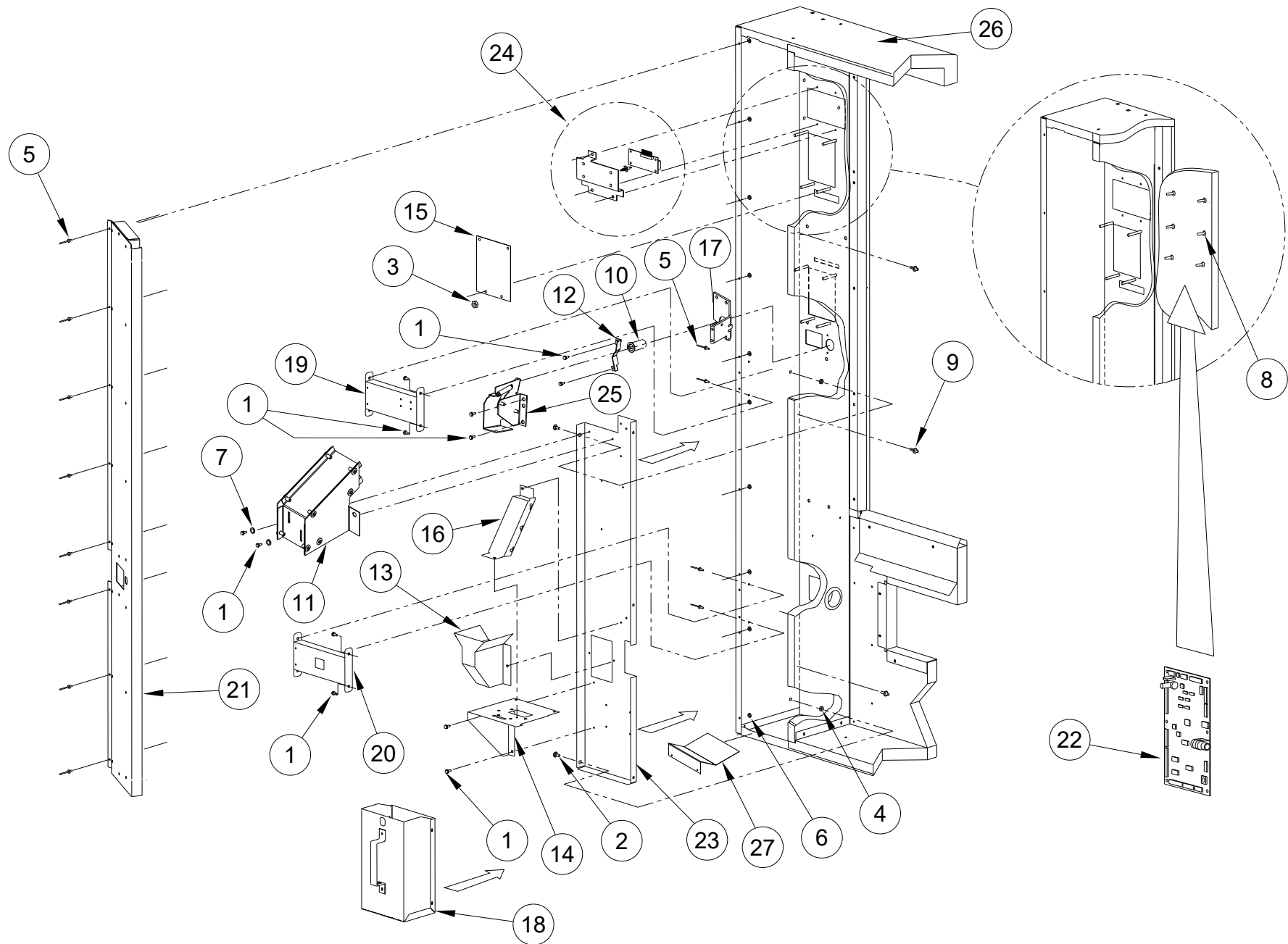
## SENSOR SYSTEM AND HOPPER

ITEM	PART NO.	PART DESCRIPTION	QTY.	NOTE
24	27836-XX	Assy, Foamed Door, FC ADA Classic LT (39")	1	
	28173-XX	Assy, Foamed Door, FC ADA Classic LT (39") Covered Window		
	28226-XX	Assy, Foamed Door, FC ADA Classic LT (35")		
25	3036	Switch, Panel Mount Rocker	1	
26	21690	Enclosure, Door Switch, Ver. 2	1	
27	27758	Hopper Floor, Lift Hopper (39")	1	
	28205	Hopper Floor, Lift Hopper (35")		



THIS PAGE INTENTIONALLY LEFT BLANK

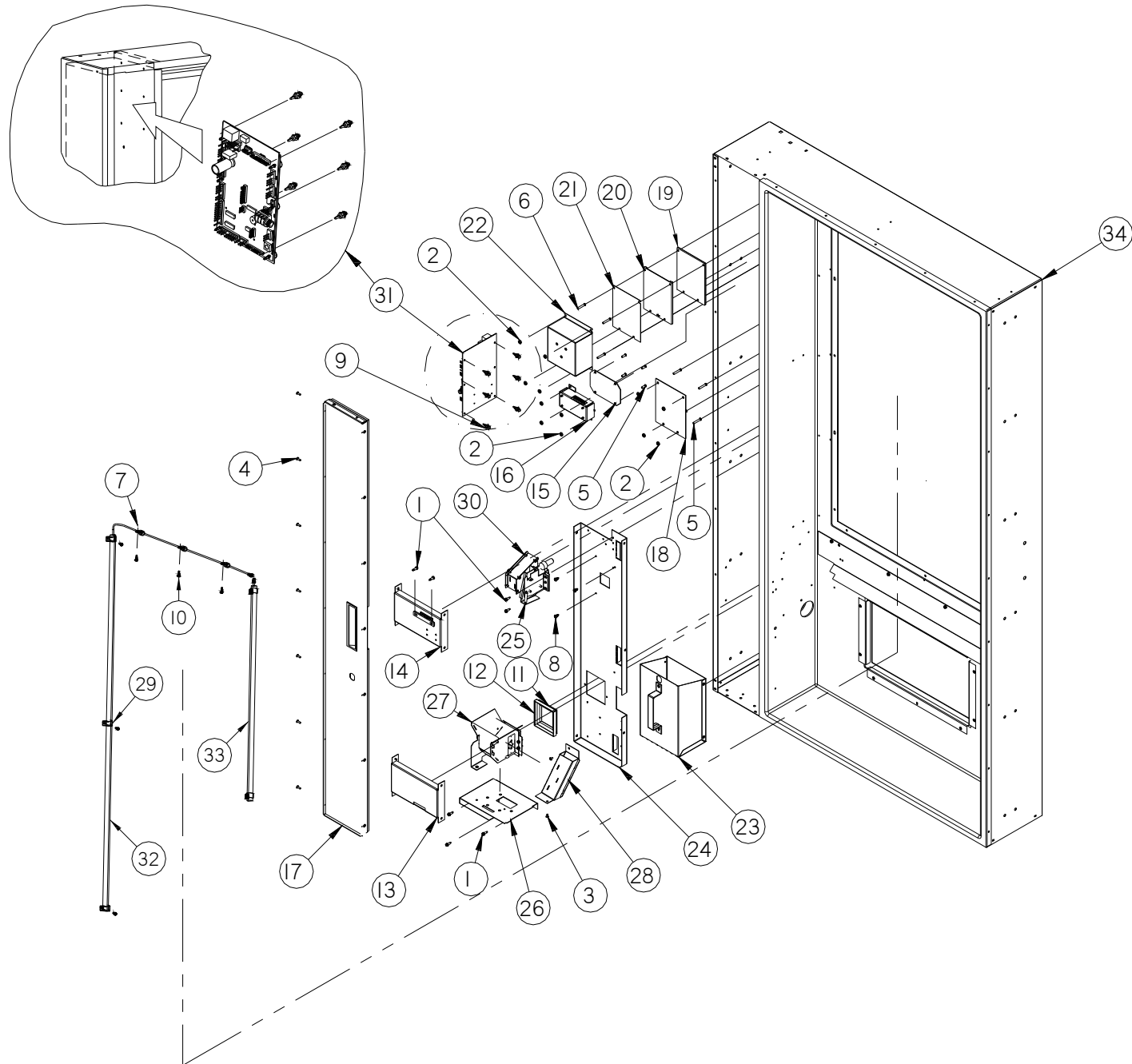
### COIN BAY (LTB9/LTF9, LTB5/LTF5, LTC9, LTC5 ONLY)



**COIN BAY (LTB9/LTF9, LTB5/LTF5, LTC9, LTC5 ONLY)**

<b>ITEM</b>	<b>PART NO.</b>	<b>PART NAME</b>	<b>QTY.</b>	<b>NOTES</b>
1	3000	Screw, Sheet Metal TEK 8-18	18	
2	3005-04	Carriage Bolt, #10-24, 1/2"	5	
3	3006-08	Nut, Hex, Machine Screw, #8-32	8	4 per DBV Opening
4	3006-10	Nut, Hex, Machine Screw, #10-24	5	
5	3009-04	Rivet, Steel, 1/8", Black, Grip Length 1/4"	12	
6	3017-06	Washer, Flat Steel, SAE Std., #6 Screw 5/32	10	
7	3017-10	Washer, Flat Steel, SAE Std., #10 Screw 7/32 x 1/2	2	
8	3037-01	PC Board Support (3/16")	6	For Control Board
9	3038	Rivet, Nylon, Trim	2	Hold Door Closed
10	20081-01	Scavenger Button, Blk	1	
11	24631	Assy., Coin Chute, Upper	1	
12	24641	Scavenger Guide, Epoch	1	
13	23373-01	Assembly, Plastic Coin Cup	1	
14	24961	Coin Box Bulkhead	1	
15	20181	DBV Cover Plate	2	Flat Steel Plate, 1 per DBV Opening
16	24962	Coin Chute, Lower	1	
17	24642	Bracket, Pushbutton Alignment	1	
18	24613	Assembly, Coin Box	1	
19	20706	Door Stiffener, Upper, Without Fuse And Switch	1	Not Shown
	20709	Door Stiffener, Upper, Locking, w/o Fuse And Switch		
20	20707	Door Stiffener, Bottom With Switch	1	
21	20752	Assembly, Coin Door, Upper (51")	1	
22	28500	Control Board, S3, Direct Temperature Input.	1	
23	24608	Mounting Panel, Changer, Multi-Use	1	
24	24739-03	Assembly, Display, Escutcheon (OLED)	1	Contains display board
25	24625	Assembly, Scavenger System, Ver. 3, ADA Escutcheon	1	
26	27836-XX	Assy., Foamed Door, FC ADA Classic, LT (39")	1	Contact AMS for your application.
	28173-XX	Assy., Foamed Door, FC ADA Classic, LT (39") Covered Window		
	28226-XX	Assy., Foamed Door, FC ADA Classic, LT (35")		
27	24684	Coin Box Retainer	1	

# COIN BAY DOOR AND LIGHTING (LTS9 AND LTV9 ONLY)



**COIN BAY DOOR AND LIGHTING (LTS9 AND LTV9 ONLY)**

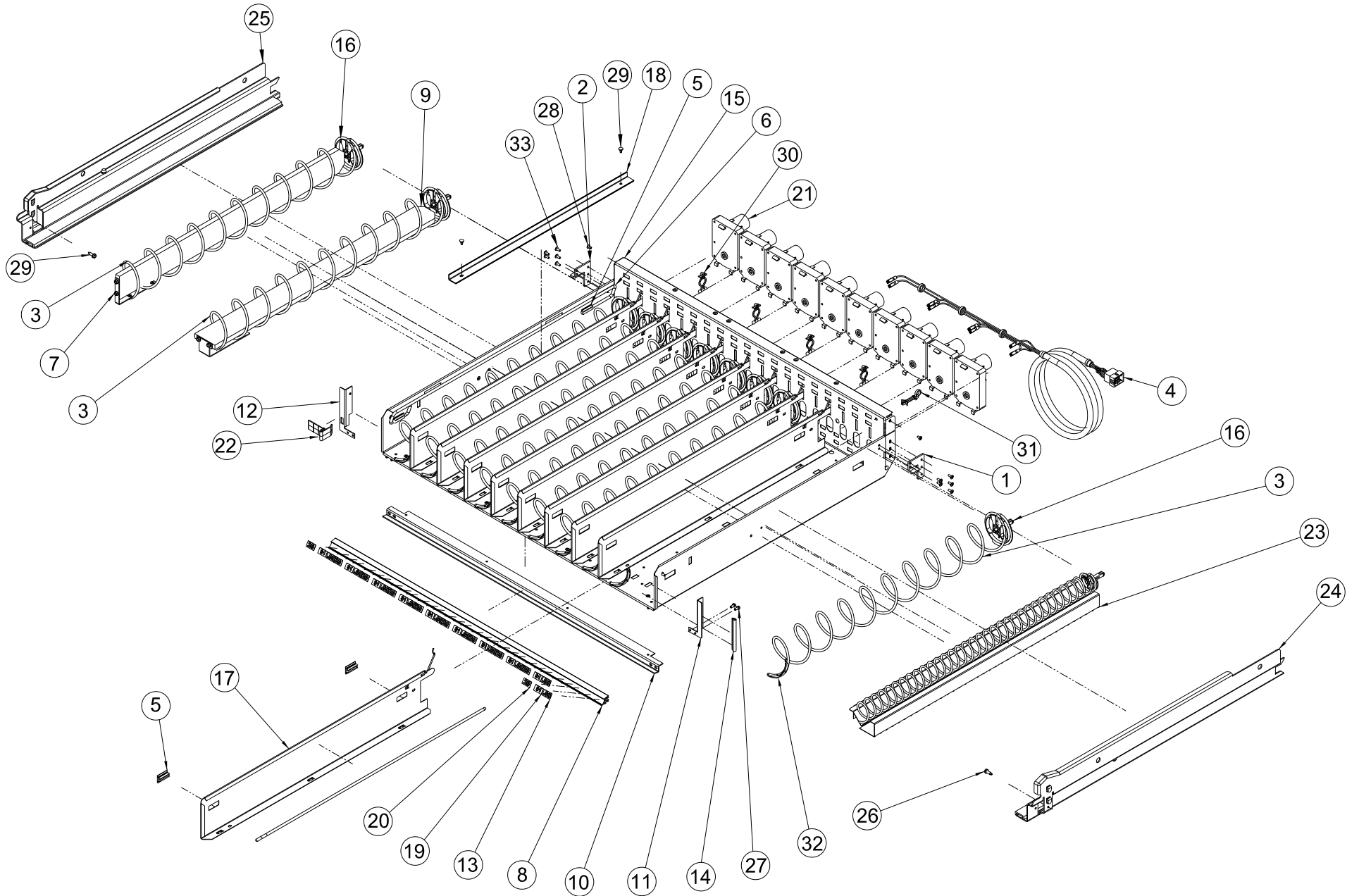
<b>ITEM</b>	<b>PART NO.</b>	<b>PART DESCRIPTION</b>	<b>QTY.</b>	<b>NOTE</b>
		Program Chip	1	Contact AMS for your application
1	3000	Screw, Sheet Metal TEK 8-18	13	
2	3006-08	Nut, Hex, Machine Screw, #8-32	14	4 per DBV Opening
3	3009-02	Rivet, Steel, 1/4" Grip Length	20	
4	3009-04	Rivet, Steel, 1/8", Black, Grip Length 1/4"	18	
5	3014-08	PEM Stud- #8-32, Flush Head, .500	6	
6	3014-16	PEM Stud- #8-32, Flush Head, 1"	8	
7	3024-06	Cable Clamp, 3/8" Dia. Black Nylon	3	
8	3084-03	Screw, SEMS, 8-32, 3/8"	3	
9	3291	Stand Off, Circuit Board, Blind Hole	6	For Control Board
10	3342-04	Screw, Sheet Metal, Tek 8-18, Clear Zinc, 1/2" L	8	
11	20330-01	Trim, Extruded Edge, 2.45	2	
12	20330-02	Trim, Extruded Edge, 2.73	2	
13	20846	Door Stiffener, Lower, Low Temp	1	
14	21027	Assy., Door Stiffener Upper	1	
15	21783	Lens, Display, Steel Escutcheon	1	
16	21785-03	Assy, Display, Steel Escutcheon	1	
17	22004	Assy., Upper Coin Door, Low Temp	1	
18	23557	DBV Cover Plate (Powder Coated)	1	Flat Steel Plate, 1 per DBV Opening
19	24322	Insert, Place Holder, POS Display	1	
20	24323	Diffuser, Place Holder, POS Display	1	
21	24330	Card, AMS, POS Display	1	
22	24339	Assy., Light Box w/Standoffs	1	
23	24613	Assy., Coin Box, Short	1	
24	24885	Mounting Panel, Changer, Multi-use, VRM, EPOCH	1	
25	24928	Assy., Scavenger System, Steel Escutcheon, Epoch	1	
26	24961	Coin Box Bulkhead, Epoch	1	
27	24987	Assy., Coin Cup, Vandal Resistant, Epoch	1	

## COIN BAY DOOR AND LIGHTING (LTS9 AND LTV9 ONLY)

ITEM	PART NO.	PART DESCRIPTION	QTY.	NOTE
28	24962	Coin Chute, Lower, Epoch	1	
29	25631	Mounting Clip, LED Lightbar	5	
30	25806	Assy., Coin Chute Upper, Epoch Ver.2	1	
31	28500	Control Board, S3, Direct Temperature Input.	1	
32	25630-01	LED Lightbar, 42", CleanLife	1	
33	25628-01	LED Lightbar, 24", CleanLife	1	
34	28180-XX	Assy., Foamed Door, FC ADA Classic, VRM (39")	1	

THIS PAGE INTENTIONALLY LEFT BLANK

# UNIVERSAL (SNACK/CANDY/FOOD) TRAY (SNAP-IN LABELS)





**UNIVERSAL (SNACK/CANDY/FOOD) TRAY (SNAP-IN LABELS)**

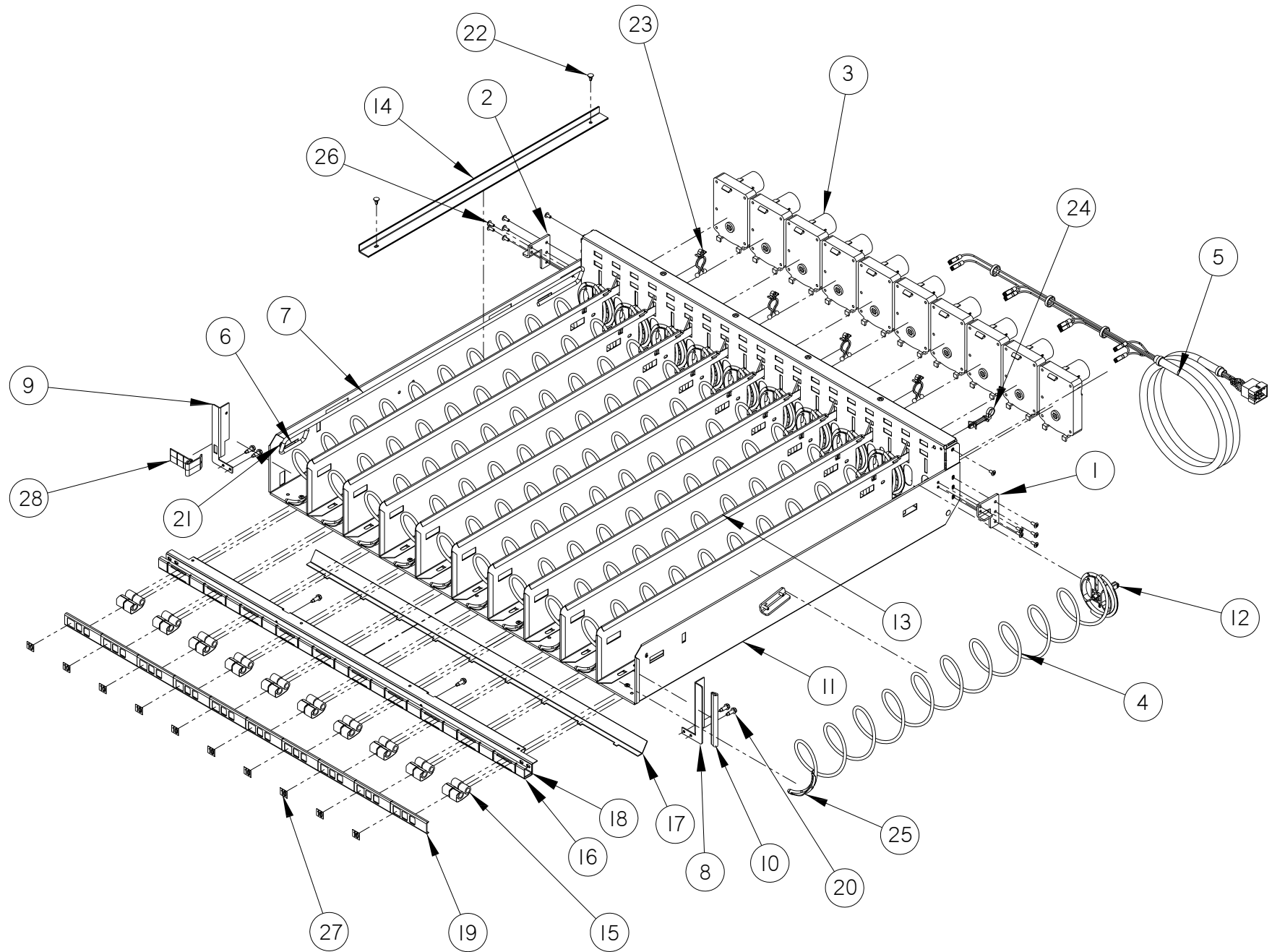
<b>ITEM</b>	<b>PART NO.</b>	<b>PART DESCRIPTION</b>	<b>NOTES</b>
1	20073	Tray Stop	
2	20073-01	Tray Stop, LH	
3	-----	Helix	1 Per Column, See Helix Section
4	20147	Harness, Tray 10 Column	
5	20220	Extrusion, Candy Pusher	Optional, 2 Per 20221 & Divider With Cutouts
6	20221	Bar, Candy Pusher	Optional, 1 Per Divider With Cutouts
7	20450	Kit, Helix Splitter	Optional, 1 Per Selection
8	20465-01	Extrusion, Price Marker, Reduced Height (39")	
9	20535	Kit, Cup Rail, Small Helix	Optional, 1 Per Selection
	20536	Kit, Cup Rail, 4" Helix	
10	20544	Tray Doubler, Ver. 2 (39")	
11	20545	Tray Corner, Ver. 2 (RH)	
12	20545-01	Tray Corner, Ver. 2 (LH)	
13	20614	Label Sheet, Reduced Height, Price	
14	20796-01	Edge Trim, Tray Corner	Right Hand Corner Only
15	24055	Tray Body, HCHP, Reduced Depth (39")	
	21045	Tray Body, Reduced Depth (35")	
16	20966	Helix Adaptor, Without Hub	
17	21138	Assembly, Tray Divider	Includes Divider With 20133 Spring, Select Type, Numbers To Form Columns
	21139	Assembly, Tray Divider, High	
	23664	Assembly, Tray Divider, Extra High	
18	22192	Helix Alignment Device, PVC	
19	22908	Label Sheet, Reduced Height, Price W/\$	
20	22909	Label Sheet, Reduced Height, Location, White	
21	23007	Motor, With Home Circuit, CCW	Optional
	23007-01	Motor, With Home Circuit, CW	
22	26774	Universal Tray Clip, .75"	
23	24046	Kit, Mini-Dispenser	Optional, 1 Per Selection

## UNIVERSAL (SNACK/CANDY/FOOD) TRAY (SNAP-IN LABELS)

ITEM	PART NO.	PART DESCRIPTION	NOTES
24	22250	Assembly, Tray Rail, Snack (RH)	
25	22251	Assembly, Tray Rail, Snack (LH)	
26	3000	Screw, Sheet Metal Tek – 8-18	
27	3001-03	Screw, Sheet Metal, Type B, #8-18	Safety Screws For Rails
28	3009-02	Rivet, Steel, Black 1/8 Dia. X 1/8 Grip	
29	3019	Canoe Clip	2 Per Helix Alignment Device
30	3020	Wire Tie, Stand Off	
31	3042-01	Wire Tie, Panel Mount	
32	3111	Helix Ejector	
33	3295-03	Rivet, Steel, 1/8", Plated	

THIS PAGE INTENTIONALLY LEFT BLANK

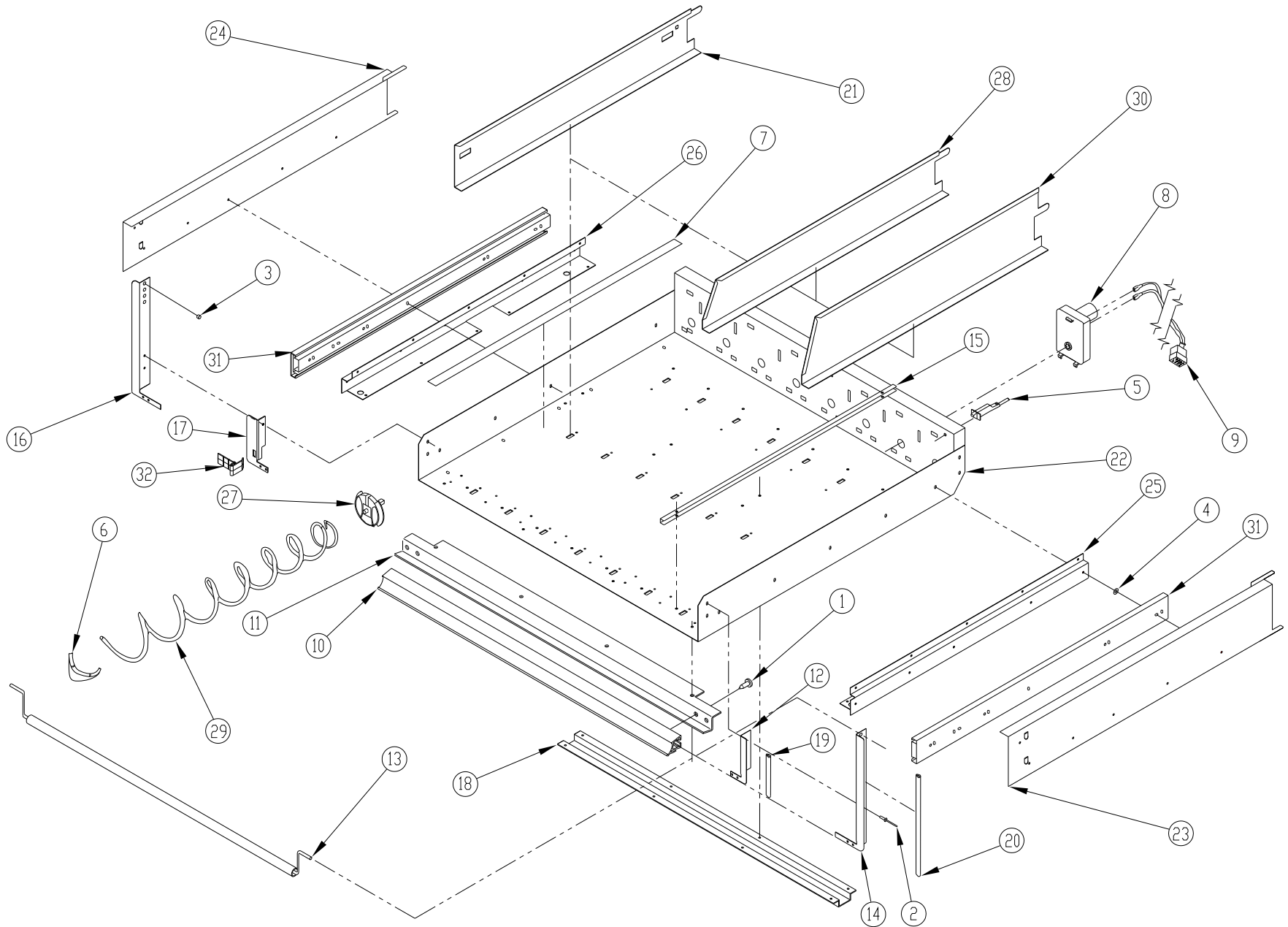
# UNIVERSAL (SNACK/CANDY/FOOD) TRAY (SCROLLING LABELS)



**UNIVERSAL (SNACK/CANDY/FOOD) TRAY (SCROLLING LABELS)**

<b>ITEM</b>	<b>PART NO.</b>	<b>PART DESCRIPTION</b>	<b>NOTE</b>
1	20073	TRAY STOP	
2	20073-01	TRAY STOP LEFT	
3	23007	MOTOR, COUNTER CLOCKWISE	
	23007-01	MOTOR, CLOCKWISE	OPTIONAL
4	-----	HELIX	SEE HELIX TABLE
5	20147	HARNESS, TRAY 10 COLUMN	
6	20220	EXTRUSION, CANDY PUSHER	OPTIONAL
7	20021	BAR, CANDY PUSHER	OPTIONAL
8	20545	TRAY CORNER, RH	
9	20545-01	TRAY CORNER, LH	
10	20796-01	EDGE TRIM, TRAY CORNER	RIGHT HAND SIDE ONLY
11	24055	TRAY BODY, HCHP, REDUCED DEPTH (39")	
	21045	TRAY BODY, REDUCED DEPTH (35")	
12	20966	HELIX ADAPTOR	
13	21138	DIVIDER, STANDARD, 3 3/8" High	
	21139	DIVIDER, HIGH, 4 7/8" High	OPTIONAL
	23664	DIVIDER, EXTRA HIGH, 8" High	OPTIONAL
14	22192	HELIX ALIGNMENT DEVICE	OPTIONAL
15	23322	SCROLL, PRICE LABEL, 1-20	
	23321	SCROLL, PRICE LABEL, .00-.95	
16	23785	TRAY STIFFENER	
17	23786	TRAY STIFFENER COVER	
18	23787	GUIDE	
19	23791	10 SELECT COVER	
	23791-01	10 SELECT COVER, NO WINDOWS	OPTIONAL, FOR DUAL HELIX SELECTION
20	3000	SCREW	
21	3009-02	RIVET	
22	3019	CANOE CLIP	
23	3020	WIRE TIE STANDOFF	
24	3042-01	WIRE TIE, PANEL MOUNT	
25	3111	HELIX EJECTOR	
26	3295-03	RIVET	
27	23292	LOCATION LABEL	
28	26774	Universal Tray Clip, .75"	

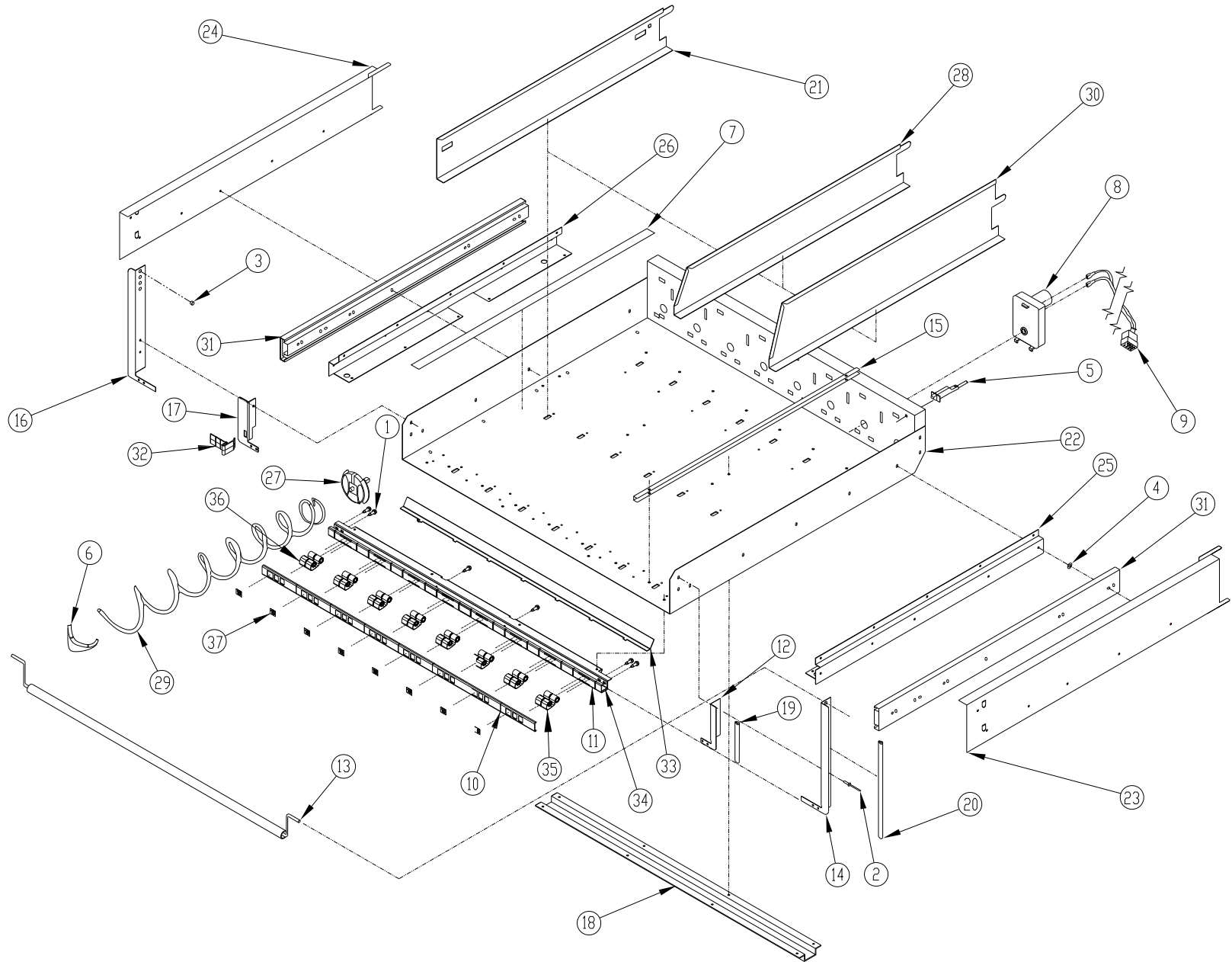
### BOTTLE TRAY (SNAP-IN LABELS)



## BOTTLE TRAY (SNAP-IN LABELS)

ITEM	PART NO	PART DESCRIPTION	QTY.	NOTE
1	3001-03	Screw, Sheet Metal, Type B, 8-18		
2	3009-02	Rivet, Pop, Steel, 1/8		
3	3015	Bearing, Nyliner, Snap-In	2	Use On 20691 And 20724 for Bottle Tipper
4	3017-05	Washer, Flat Steel, SAE STD #5		For Rivet Reinforcement
5	3042-01	Wire Tie, Panel Mount	1	
6	3111	Helix Ejector, Small Helix		
7	3189-01	Tape, UHMW Polyethylene, 3/4" X .005"		24" Per Selection
8	23007	Motor, with Home Circuit		CW, Use w/Coupled Motors
9	20147	Harness, Tray, 10 Column	1	
10	20465-03	Extrusion, Price Marker, Ver. 2	1	
11	20644	Tray Doubler, Bottle (39")	1	
12	20672	Tray Corner, Bottle, Right		Use With 20690 Without Bottle Tipper
13	20690	Assembly, Bottle Tipper Bar	1	
14	20691	Tray Corner, Bottle Tipper Bar, Right		Use With 20690 For Bottle Tipper
15	20692	Device, Bottle Alignment		
16	20724	Tray Corner, Bottle Tipper Bar, Left		Use With 20690 For Bottle Tipper
17	20725	Tray Corner, Bottle, Left		Use With 20690 Without Bottle Tipper
18	20775	Tray Reinforcement, Bottle (39") Ver. 2	1	
19	20796-01	Edge Guard, Tray Corner (Only RH)	1	Use On 20672 Without Bottle Tipper
20	20796-02	Edge Guard, Tray Corner (Only RH)	1	Use On 20691 For Bottle Tipper
21	20956	Tray Divider, Reduced Depth (Square Front)		3.37" High (Optional Part)
22	20960	Tray Body, Bottle, Reduced Depth (39")	1	
23	20980	Rail, Bottle Tray, Reduced Depth (RH)	1	
24	20980-01	Rail, Bottle Tray, Reduced Depth (LH)	1	
25	20962	Bracket, Bottle Tray Rail, Reduced Depth (RH)	1	
26	20962-01	Bracket, Bottle Tray Rail, Reduced Depth (LH)	1	
27	20966	Helix Adapter, Without Hub		
28	21276	Tray Divider, Reduced Depth, Tapered Front		3.37" High
29	21336	Helix, 3" Counter-Clockwise		See Helix Description Section For Options.
30	21374	Tray Divider, Reduced Depth, Tapered Front, High		4.9" High (Optional Part)
31	21475-02	Rail Slide, Full Extension, 24"	1	1 Pair
32	26774	Universal Tray Clip, .75"	1	

# BOTTLE TRAY (SCROLLING LABELS)

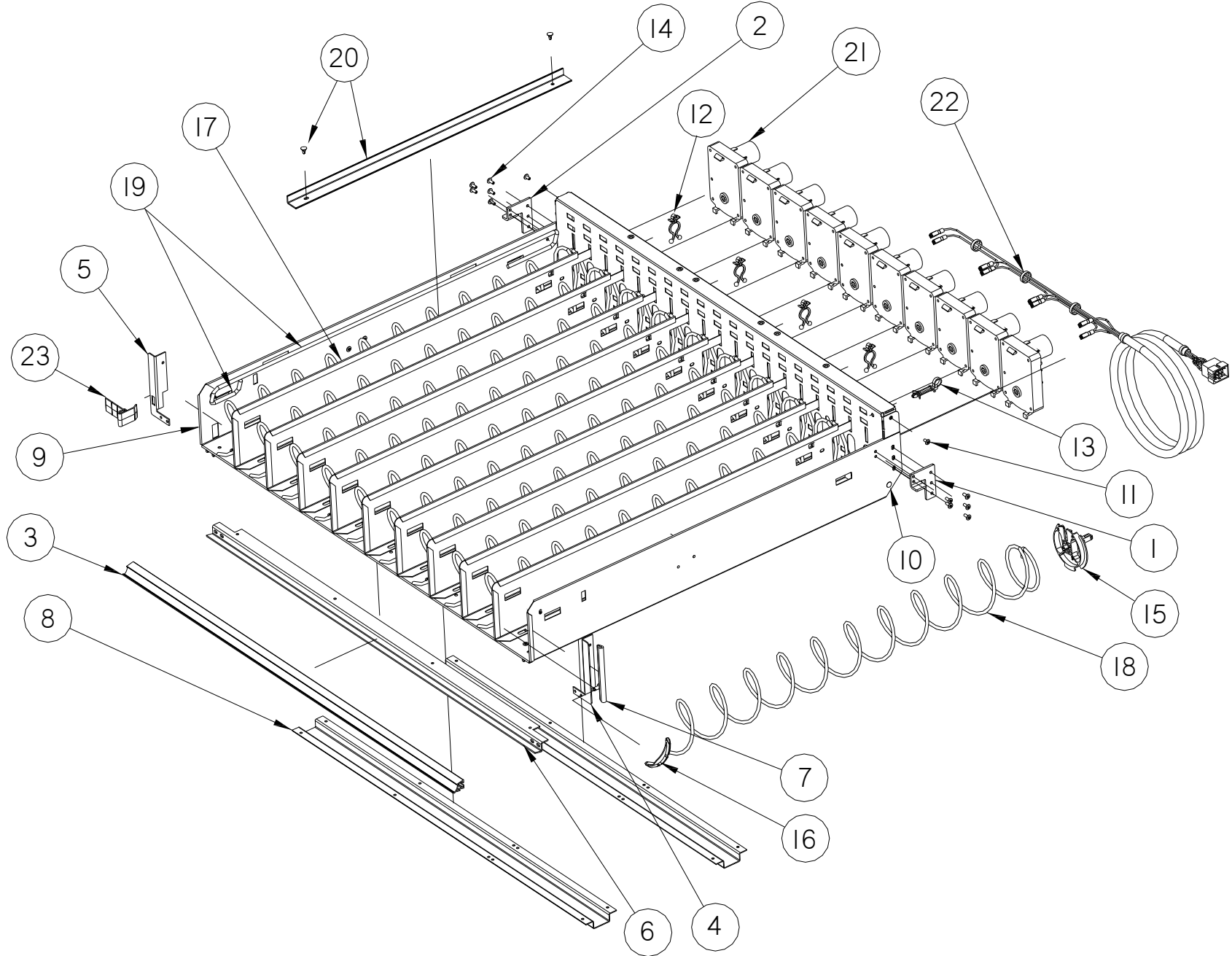




## BOTTLE TRAY (SCROLLING LABELS)

ITEM	PART NO	PART DESCRIPTION	QTY.	NOTE
1	3000	Screw, Sheet Metal Tek - 8-18		
2	3009-02	Rivet, Pop, Steel, 1/8		
3	3015	Bearing, Nyliner, Snap-In	2	Use On 20691 And 20724 for Bottle Tipper
4	3017-05	Washer, Flat Steel, SAE STD #5		For Rivet Reinforcement
5	3042-01	Wire Tie, Panel Mount	1	
6	3111	Helix Ejector, Small Helix		
7	3189-01	Tape, UHMW Polyethylene, 3/4" X .005"		24" Per Selection
8	23007	Motor, with Home Circuit		CW, Use w/Coupled Motors
9	20147	Harness, Tray, 10 Column	1	
10	23792	Cover, Scrolling Prices, 8 Select	1	
11	23840	Stiffener, Tray, Scrolling Prices, V2, 8 Select, 39"	1	
12	20672	Tray Corner, Bottle, Right		Use With 20690 Without Bottle Tipper
13	20690	Assembly, Bottle Tipper Bar	1	
14	20691	Tray Corner, Bottle Tipper Bar, Right		Use With 20690 For Bottle Tipper
15	20692	Device, Bottle Alignment		
16	20724	Tray Corner, Bottle Tipper Bar, Left		Use With 20690 For Bottle Tipper
17	20725	Tray Corner, Bottle, Left		Use With 20690 Without Bottle Tipper
18	20775	Tray Reinforcement, Bottle (39") Ver. 2	1	
19	20796-01	Edge Guard, Tray Corner (Only RH)	1	Use On 20672 Without Bottle Tipper
20	20796-02	Edge Guard, Tray Corner (Only RH)	1	Use On 20691 For Bottle Tipper
21	20956	Tray Divider, Reduced Depth (Square Front)		3.37" High (Optional Part)
22	20960	Tray Body, Bottle, Reduced Depth (39")	1	
23	20980	Rail, Bottle Tray, Reduced Depth (RH)	1	
24	20980-01	Rail, Bottle Tray, Reduced Depth (LH)	1	
25	20962	Bracket, Bottle Tray Rail, Reduced Depth (RH)	1	
26	20962-01	Bracket, Bottle Tray Rail, Reduced Depth (LH)	1	
27	20966	Helix Adapter, Without Hub		
28	21276	Tray Divider, Reduced Depth, Tapered Front		3.37" High
29	21336	Helix, 3" Counter-Clockwise		See Helix Description Section For Options.
30	21374	Tray Divider, Reduced Depth, Tapered Front, High		4.9" High (Optional Part)
31	21475-02	Rail Slide, Full Extension, 24"	1	1 Pair
32	26774	Universal Tray Clip, .75"	1	
33	23841	Cover, Tray Stiffener, Scrolling Prices, 8 Select, 39"	1	
34	23842	Guide, Scrolling Prices, 8 Select, 39"	1	
35	23321	Scroll, Price Label, .00—.95 with Decimal	8	
36	23322	Scroll Price Label, 1—20	8	
37	23292	Label, Adhesive, Location, Rectangle	.030	Comes in Sheets (8 Numbers required)

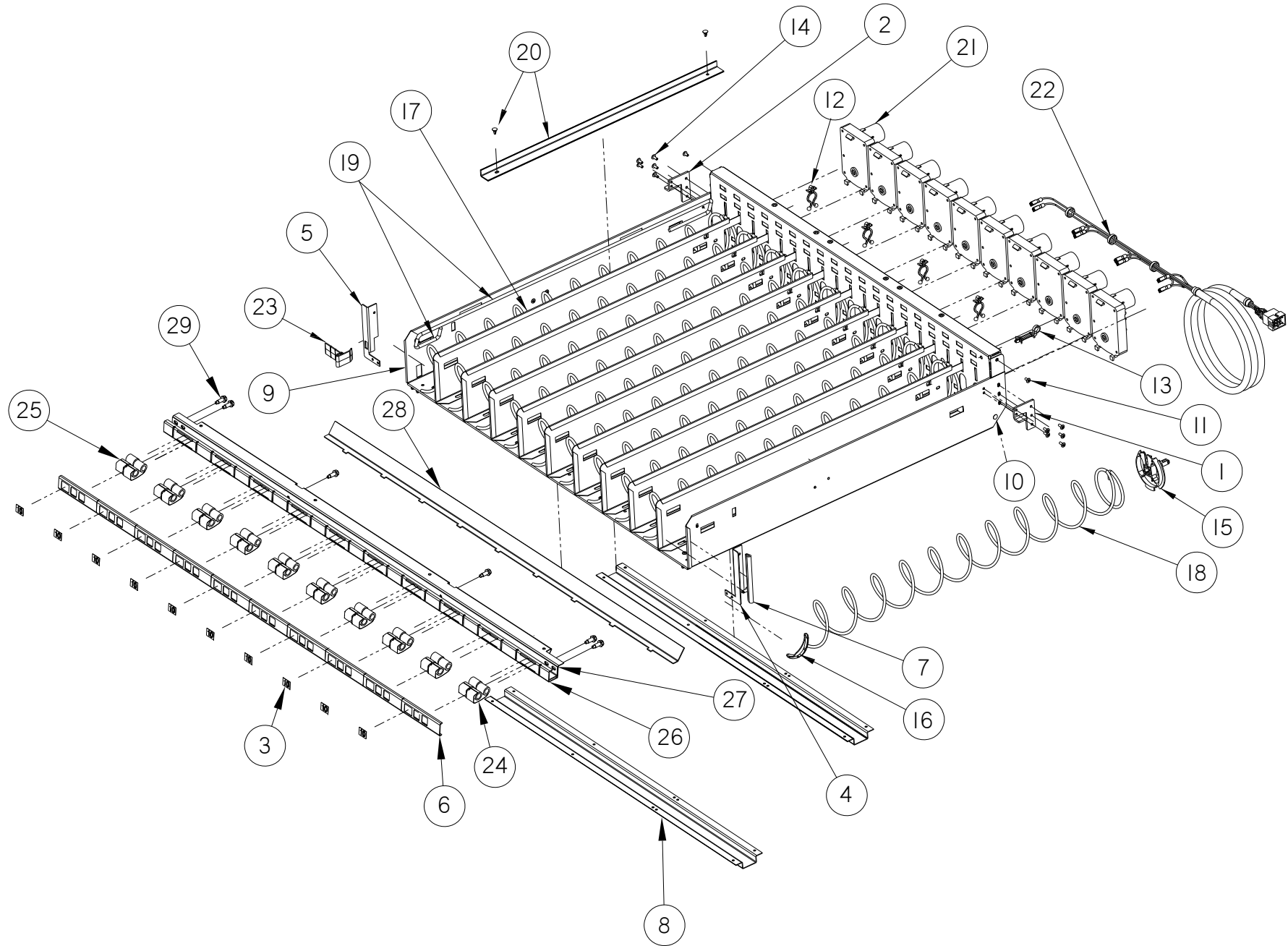
# HIGH CAPACITY HEAVY PRODUCT TRAY (SNAP-IN LABELS)



## HIGH CAPACITY HEAVY PRODUCT TRAY (SNAP-IN LABELS)

ITEM	PART NO.	PART DESCRIPTION	NOTES
1	20073	Tray Stop	
2	20073-01	Tray Stop, LH	
3	20465-01	Extrusion, Price Marker, Reduced Height (39")	
4	20545	Tray Corner, Ver. 2 (RH)	
5	20545-01	Tray Corner, Ver. 2 (LH)	
6	20544	Tray Doubler, Ver. 2 (39")	
7	20796-01	Edge Trim, Tray Corner	Right Hand Corner Only
8	22831	Tray Reinforcement (39")	
9	24055	Tray Body, HCHP, Reduced Depth (39")	
	24094	Tray Body, HCHP, Reduced Depth (35")	
10	3019	Canoe Clip	
11	3009-02	Rivet, Steel, Black, 1/8 Dia. X 1/8 Grip	
12	3020	Wire Tie, Standoff	Optional—Contact Your Distributor
13	3042-01	Wire Tie, Panel Mount	
14	3295-03	Rivet, Steel, 1/8", Plated	
15	20966	Helix Adaptor, Without Hub	
16	3111	Helix Ejector	
17	23333	Tray Divider, 3-3/8"	Select Type, Numbers To Form Columns
	23334	Tray Divider, 4-7/8"	
	23335	Tray Divider, 8"	
18	-----	Helix	1 Per Column – See Helix Section
19	20449	Assembly, Candy Pusher	Optional – Contact Your Distributor
20	23622	Assembly, Helix Alignment Device	Optional – Contact Your Distributor
21	23007	Motor, With Home Circuit, CCW	Optional – Contact Your Distributor
22	20147	Harness, Tray, 10 Column	
23	26774	Universal Tray Clip, .75"	
—	3001-03	Screw, Sheet Metal, Type B, #8-18	Supplied, Not Shown
—	22834	Assembly, Heavy Product Rail, Service, RH	Supplied, Not Shown
—	22835	Assembly, Heavy Product Rail, Service, LH	Supplied, Not Shown

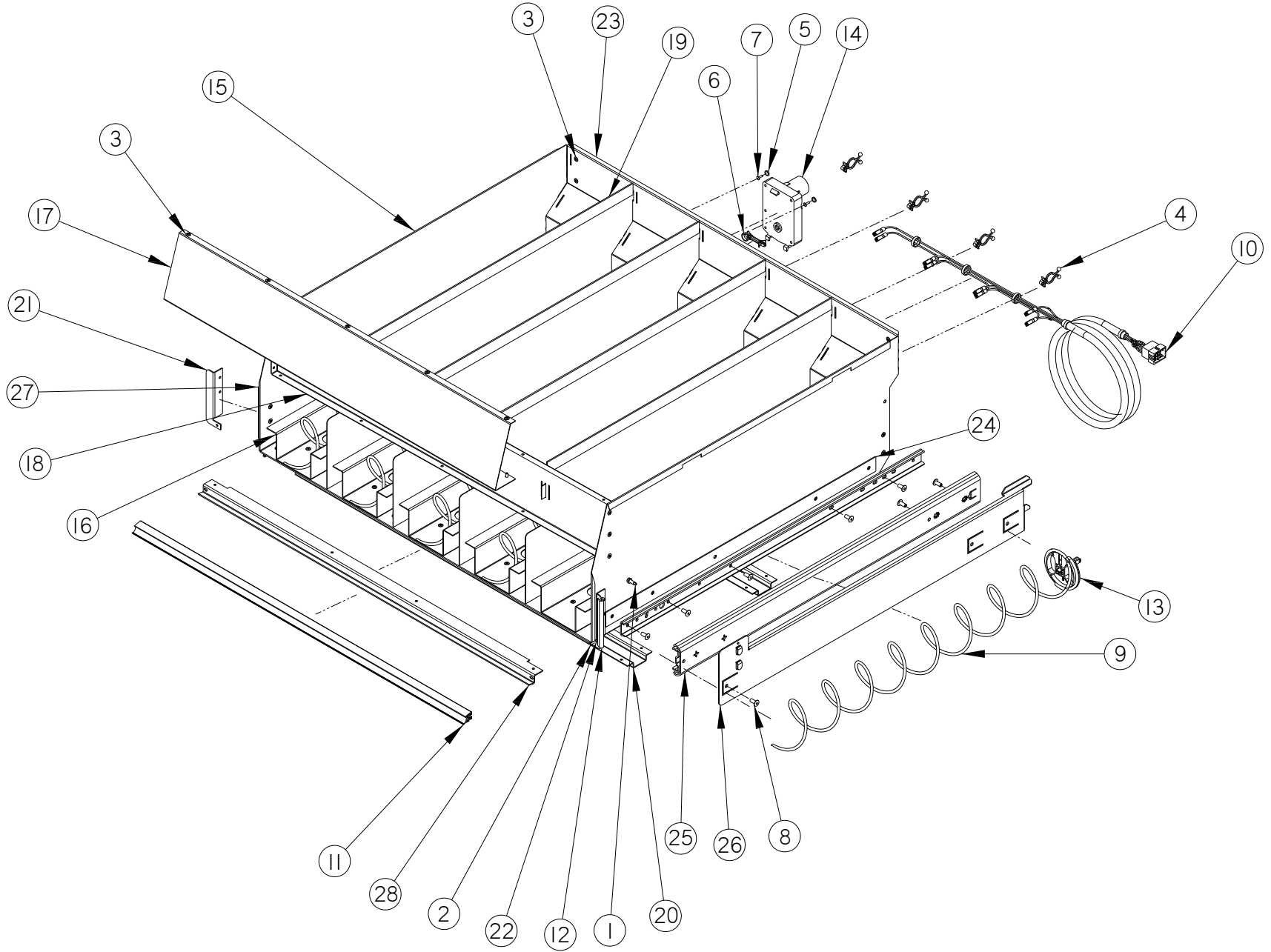
# HIGH CAPACITY HEAVY PRODUCT TRAY (SCROLLING LABELS)



## HIGH CAPACITY HEAVY PRODUCT TRAY (SCROLLING LABELS)

ITEM	PART NO.	PART DESCRIPTION	NOTES
1	20073	Tray Stop	
2	20073-01	Tray Stop, LH	
3	23292	Location Label	
4	20545	Tray Corner, Ver. 2 (RH)	
5	20545-01	Tray Corner, Ver. 2 (LH)	
6	23791	10 Select Cover	
7	20796-01	Edge Trim, Tray Corner	Right Hand Corner Only
8	22831	Tray Reinforcement (39")	
9	24055	Tray Body, HCHP, Reduced Depth (39")	
	24094	Tray Body, HCHP, Reduced Depth (35")	
10	3019	Canoe Clip	
11	3009-02	Rivet, Steel, Black, 1/8 Dia. X 1/8 Grip	
12	3020	Wire Tie, Standoff	Optional—Contact Your Distributor
13	3042-01	Wire Tie, Panel Mount	
14	3295-03	Rivet, Steel, 1/8", Plated	
15	20966	Helix Adaptor, Without Hub	
16	3111	Helix Ejector	
17	23333	Tray Divider, 3-3/8"	Select Type, Numbers To Form Columns
	23334	Tray Divider, 4-7/8"	
	23335	Tray Divider, 8"	
18	-----	Helix	1 Per Column – See Helix Section
19	20449	Assembly, Candy Pusher	Optional – Contact Your Distributor
20	23622	Assembly, Helix Alignment Device	Optional – Contact Your Distributor
21	23007	Motor, With Home Circuit, CCW	Optional – Contact Your Distributor
22	20147	Harness, Tray, 10 Column	
23	26774	Universal Tray Clip, .75"	
24	23321	Scroll, Price Label, .00-.95	
25	23322	Scroll, Price Label, 1-20	
26	23785	Stiffener, Tray, Scrolling Prices, V2, 10 Select, 39"	
27	23787	Guide, Scrolling Prices, 10 Select, 39"	
28	23786	Cover, Tray Stiffener, Scrolling Prices, 10 Select, 39"	
29	3000	Screw, Sheet Metal Tek - 8-18	
—	3001-03	Screw, Sheet Metal, Type B, #8-18	Supplied, Not Shown
—	22834	Assembly, Heavy Product Rail, Service, RH	Supplied, Not Shown
—	22835	Assembly, Heavy Product Rail, Service, LH	Supplied, Not Shown

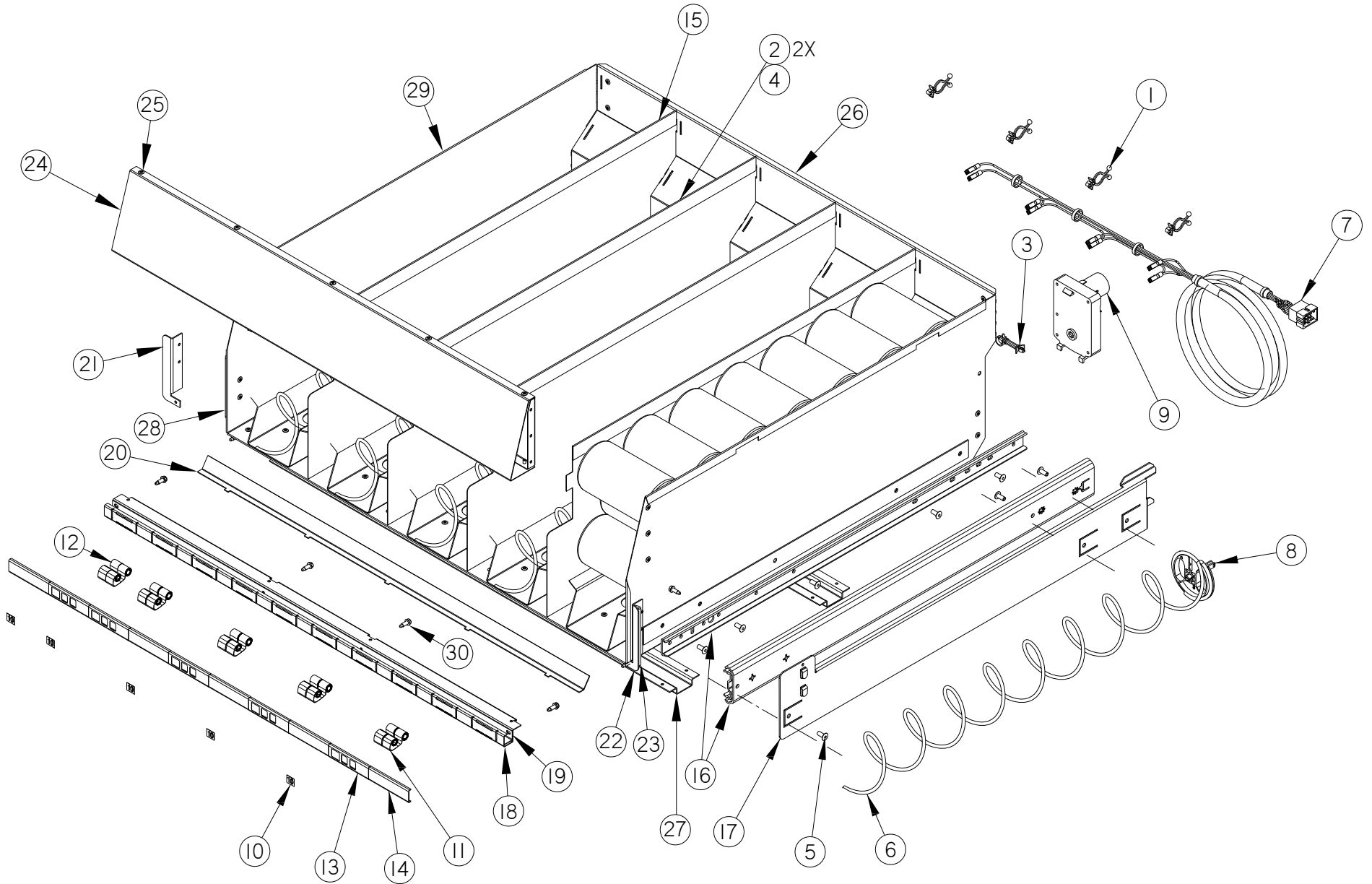
### HORIZONTAL CAN TRAY (SNAP-IN LABELS)



## HORIZONTAL CAN TRAY (SNAP-IN LABELS)

ITEM	PART NO.	PART DESCRIPTION	QTY.	NOTE
1	3000	Screw, Sheet Metal Tek - 8-18	5	
2	3001-03	Screw, Sheet Metal, 8-18	2	
3	3009-02	Rivet, Steel, 3/16 Dia, .125 to .25 Grip Length	9	
4	3020	Wire Tie Standoff	4	
5	3023-11	Washer, Flat Nylon, 1/2	20	4 Per Selection.
6	3042-01	Wire Tie, Panel Mount, 1" Standoff	1	
7	3286-01	Snap Rivet	10	2 Per Selection.
8	3709-02	Rivet, Steel, 3/16 Dia., .125 to .25 Grip L	17	
9	20120-07	Helix, 2.6" CCW, Painted (7-Pitch)	5	Australian Can
	20120-08	Helix, 2.6" CCW, Painted (8-Pitch)	5	U.S. and European Can
10	20147	Harness, Tray, 10 Column	1	1 Per Tray
11	20465-08	Extrusion, Price Marker, 21.2" (35")	1	
	20465-07	Extrusion, Price Marker, 26.5" (39")	1	
12	20796-01	Edge Trim, Tray Corner	1	
13	20966-01	Helix Adapter, w/o Hub	5	1 Per Selection
14	23007	Motor, W/Home Circuit, CCW (S3)	5	1 Per Selection
15	24976	Tray Body, Horizontal Can, 4 Select (35")	1	
	24107	Tray Body, Horizontal Can, 5 Select (39")	1	
16	24110	Support, Can/Helix, Horizontal Can Tray	5	
17	24979	Restrictor Front, Horizontal Can Tray, 4 Select	1	
	24112	Restrictor Front, Horizontal Can Tray, 5 Select	1	
18	24983	Restrictor, Back, Horizontal Can Tray, 4 Select (35")	1	
	24113	Restrictor, Back, Horizontal Can Tray, 5 Select (39")	1	
19	24114	Divider, Horizontal Can Tray	4	Contact AMS for your application.
20	24978	Reinforcement, Horizontal Can Tray, 35"	2	
	24120	Reinforcement, Horizontal Can Tray, 39"	2	
21	24121	Corner, Left, S/P, Horizontal Can Tray	1	
22	24122	Corner, Right, S/P, Horizontal Can Tray	1	
23	24977	Panel Back, Horizontal Can Tray, 4 Select	1	
	24149	Panel Back, Horizontal Can Tray, 5 Select	1	
24	24171	Spacer, Rail Slide, Horizontal Can Tray	2	
25	24186-02	Slide Set	1	1 Set Per Tray. Sold as a Set Only.
26	24191	Rail, Slide Mounting, Horizontal Can Tray	1	
27	24191-01	Rail, Slide Mounting, LH, Horizontal Can Tray	1	

# HORIZONTAL CAN TRAY (SCROLLING LABELS)

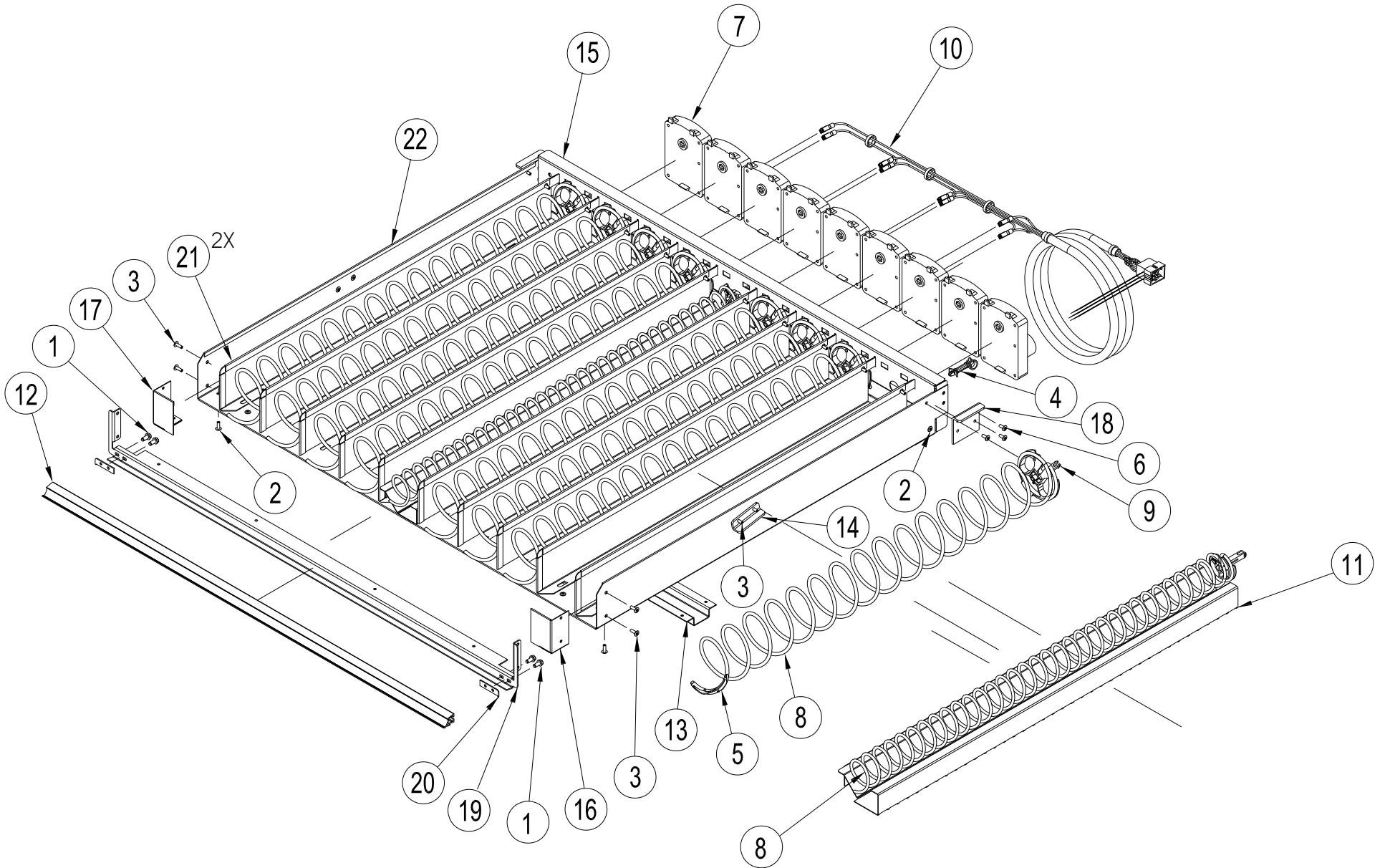




## HORIZONTAL CAN TRAY (SCROLLING LABELS)

ITEM	PART NO.	PART DESCRIPTION	QTY.	NOTE
1	3020	Wire Tie Standoff	4	
2	3023-15	Washer, Flat Nylon, 1/2	20	4 Per Selection.
3	3042-01	Wire Tie, Panel Mount, 1" Standoff	1	
4	3286-01	Snap Rivet	10	2 Per Selection.
5	3709-02	Rivet, Steel, 3/16 Dia., .125 to .25 Grip L	16	
6	20120-07	Helix, 2.6" CCW, Painted (7-Pitch)	5	Australian Can
	20120-08	Helix, 2.6" CCW, Painted (8-Pitch)	5	U.S. and European Can
7	20147	Harness, Tray, 10 Column	1	1 Per Tray
8	20966-01	Helix Adapter, w/o Hub	5	1 Per Selection
9	23007	Motor, W/Home Circuit, CCW (S3)	5	1 Per Selection
10	23292	Label, Adhesive, Location, Rectangle	5	
11	23321	Scroll, Price Label, .00 - .95 with Decimal	5	
12	23322	Scroll, Price Label, 1-20	5	
13	23791	Cover, Scrolling Price, 10 Select	5	1 Per Selection.
14	23791-01	Cover, S/P, 10 Select, No Windows	5	1 Per Selection
15	24114	Divider, Horizontal Can Tray	4	
16	24186-02	Slide Set	1	1 Set Per Tray. Sold as a Set Only.
17	24191	Rail, Slide Mounting, Horizontal Can Tray	1	
18	24981	Stiffener, S/P, Horizontal Can Tray, 4 Select, 35"	1	
	24117	Stiffener, S/P, Horizontal Can Tray, 5 Select, 39"	1	
19	24982	Guide, S/P, Horizontal Can Tray, 4 Select, 35"	1	
	24118	Guide, S/P, Horizontal Can Tray, 5 Select, 39"	1	
20	24980	Cover, S/P, Horizontal Can Tray, 4 Select, 35"	1	
	24119	Cover, S/P, Horizontal Can Tray, 5 Select, 39"	1	
21	24121	Corner, Left, S/P, Horizontal Can Tray	1	
22	24122	Corner, Right, S/P, Horizontal Can Tray	1	
23	20796-01	Edge Trim, Tray Corner	1	
24	24979	Restrictor Front, Horizontal Can Tray, 4 Select	1	
	24112	Restrictor Front, Horizontal Can Tray, 5 Select	1	
25	3009-02	Rivet, Steel, 3/16 Dia., .125 to .25 Grip Length	9	
26	24977	Panel Back, Horizontal Can Tray, 4 Select	1	
	24149	Panel Back, Horizontal Can Tray, 5 Select	1	
27	24978	Reinforcement, Horizontal Can Tray, 35"	2	
	24120	Reinforcement, Horizontal Can Tray, 39"	2	
28	24191-01	Rail, Slide Mounting, LH, Horizontal Can Tray	1	
29	24976	Tray Body, Horizontal Can, 4 Select (35")	1	
	24107	Tray Body, Horizontal Can, 5 Select (39")	1	
30	3000	Screw, Sheet Metal Tek - 8-18	6	

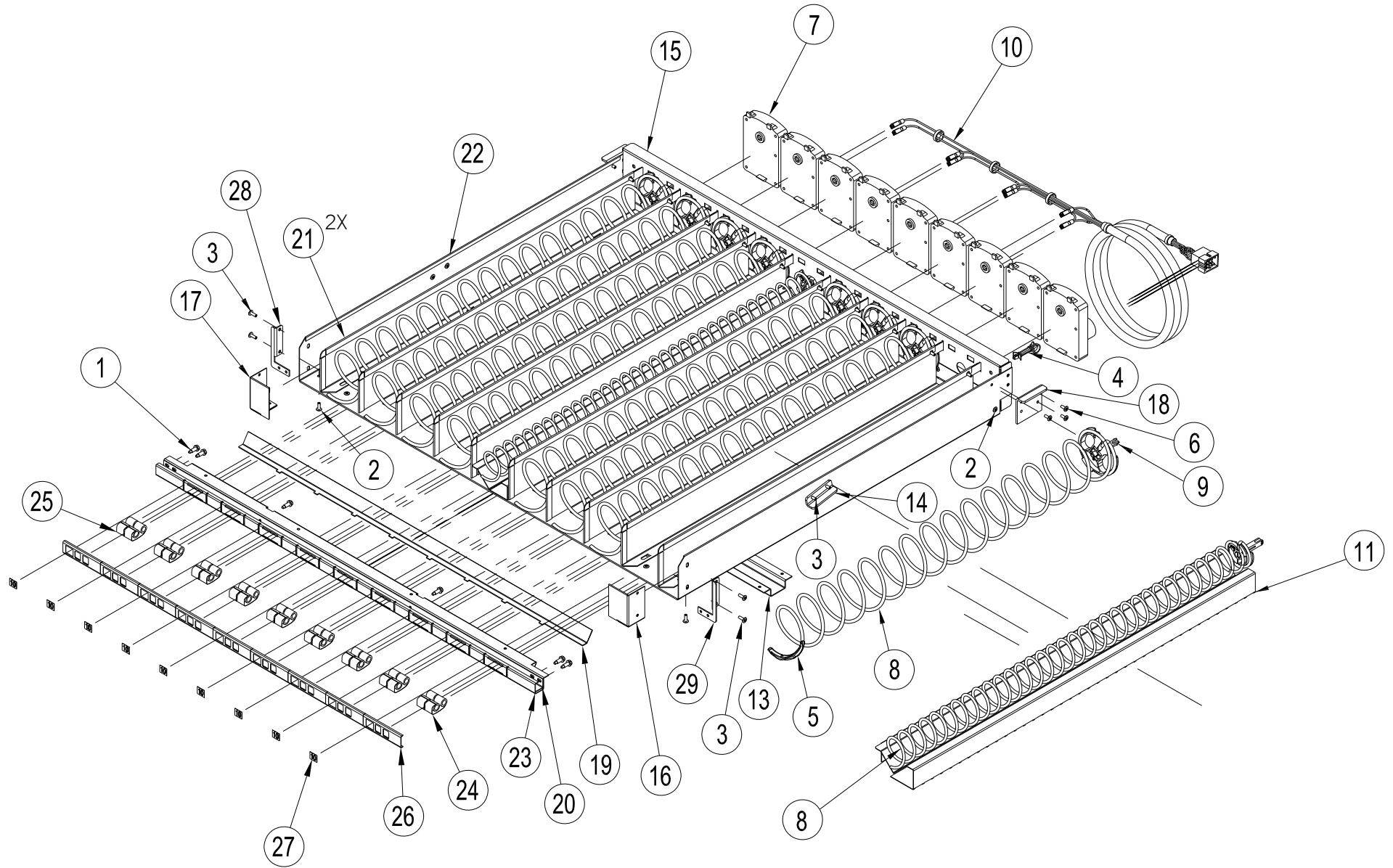
### SMALL PRODUCTS TRAY (SNAP-IN LABELS)



## SMALL PRODUCTS TRAY (SNAP-IN LABELS)

ITEM	PART NO.	PART DESCRIPTION	NOTES
-	28537	Assembly, Tray, (35") Small Products	
	27380	Assembly, Tray, (39") Small Products	
1	3001-03	Screw, Sheet Metal Type #8-18	Safety Screws for Rails
2	3009-02	Rivet, Pop, Steel, 1/8	
3	3009-04	Rivet, Steel, Black, 1/8 Dia. X 1/4 GRP	
4	3042-01	Wire Tie, Panel Mount	
5	3111	Helix Ejector, Small Helix	
6	3295-03	Rivet, Steel, 1/8" Plated	
7	20089	Motor, Dual Helix W/O Switch	Optional
	23007	Motor, With Home Circuit, CCW	
	23007-01	Motor, With Home Circuit, CW	
	23007-04	Motor, With Home Circuit, Varistor Installed, CCW	
	23007-05	Motor, With Home Circuit, Varistor Installed, CW	
8	-	Small Helix, Part Number 20120-XX	1 Per Column. See Helix Section
9	20996	Helix Adaptor, Without Hub	
10	20147	Harness, Tray, 10 Column	
11	20446	Kit, Mini-Dispenser	Optional, 1 Per Selection
12	20465-02	Extrusion, Price Marker, Reduced Height (35")	
	20465-01	Extrusion, Price Marker, Reduced Height (39")	
13	22831	Tray Enforcement, Heavy Product, (39")	39" Tray only
14	23471	Tray Stop, Intermediate	
15	28540	Motor Extension, 35" Small Product	
	27382	Motor Extension, 39" Small Product	
16	27384	Block, Small Products Tray, Right Hand	
17	27384-01	Block, Small Products Tray, Left Hand	
18	27476	Tray Stop, Small Products Tray	
19	28541	Tray Doubler, 35" Small Products Tray	
	27477	Tray Doubler, 39" Small Products Tray	
20	27478	Tray Doubler, Retainer Small Products Tray	
21	27640	Assembly, Small Products Tray Divider	
22	28539	Tray Body, 35" Small Products	
	27381	Tray Body, 39" Small Products	

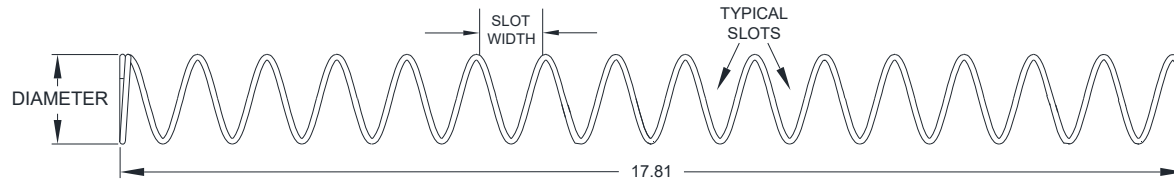
### SMALL PRODUCTS TRAY (SCROLLING LABELS)



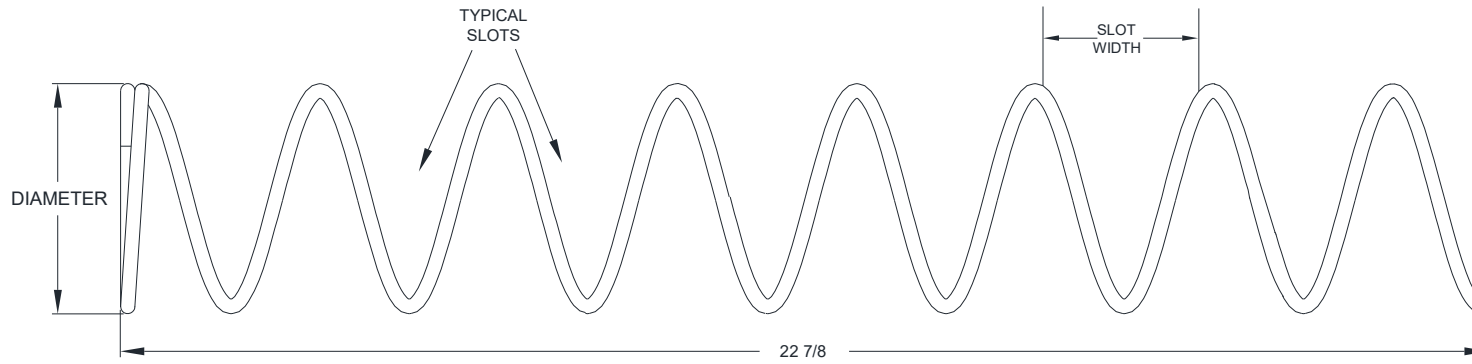
## SMALL PRODUCTS TRAY (SCROLLING LABELS)

ITEM	PART NO.	PART DESCRIPTION	NOTES
-	28537	Assembly, Tray, (35") Small Products	
	27380	Assembly, Tray, (39") Small Products	
1	3000	Screw, Sheet Metal Tek - 8-18	
2	3009-02	Rivet, Pop, Steel, 1/8	
3	3009-04	Rivet, Steel, Black, 1/8 Dia. X 1/4 GRP	
4	3042-01	Wire Tie, Panel Mount	
5	3111	Helix Ejector, Small Helix	
6	3295-03	Rivet, Steel, 1/8" Plated	
7	20089	Motor, Dual Helix W/O Switch	Optional
	23007	Motor, With Home Circuit, CCW	
	23007-01	Motor, With Home Circuit, CW	
	23007-04	Motor, With Home Circuit, Varistor Installed, CCW	
	23007-05	Motor, With Home Circuit, Varistor Installed, CW	
8	-	Small Helix, Part Number 20120-XX	1 Per Column. See Helix Section
9	20996	Helix Adaptor, Without Hub	
10	20147	Harness, Tray, 10 Column	
11	20446	Kit, Mini-Dispenser	Optional, 1 Per Selection
12	20465-02	Extrusion, Price Marker, Reduced Height (35")	
	20465-01	Extrusion, Price Marker, Reduced Height (39")	
13	22831	Tray Enforcement, Heavy Product, (39")	39" Tray only
14	23471	Tray Stop, Intermediate	
15	28540	Motor Extension, 35" Small Product	
	27382	Motor Extension, 39" Small Product	
16	27384	Block, Small Products Tray, Right Hand	
17	27384-01	Block, Small Products Tray, Left Hand	
18	27476	Tray Stop, Small Products Tray	
19	28581	Cover, Tray Stiffener, S/P, 7 Select, 35", Small Products	
	27669	Cover, Tray Stiffener, S/P, 9 Select, 39", Small Products	
20	28582	Guide, Scrolling Prices, 7 Select, 35" Small Products	
	27668	Guide, Scrolling Prices, 9 Select, 39" Small Products	
21	27640	Assembly, Small Products Tray Divider	
22	28539	Tray Body, 35" Small Products	
	27381	Tray Body, 39" Small Products	
23	28580	Stiffener, Tray, S/P, 7 Select, 35" Small Products	
	27667	Stiffener, Tray, S/P Prices, 9 Select, 39" Small Products	
24	23321	Scroll Price Label, .00-.95 w/Decimal	
25	23322	Scrolling Price Label, 1-20	
26	23791	Cover, Scrolling Price 10 Select	Optional
	23791-01	Cover, Scrolling Price 10 Select, No Windows	
27	23292	Label, Adhesive, Location, Rectangle	
28	27661-01	Tray Corner, Narrow, Small Products, S/P, LH	
29	27661	Tray Corner, Narrow, Small Products, S/P, RH	

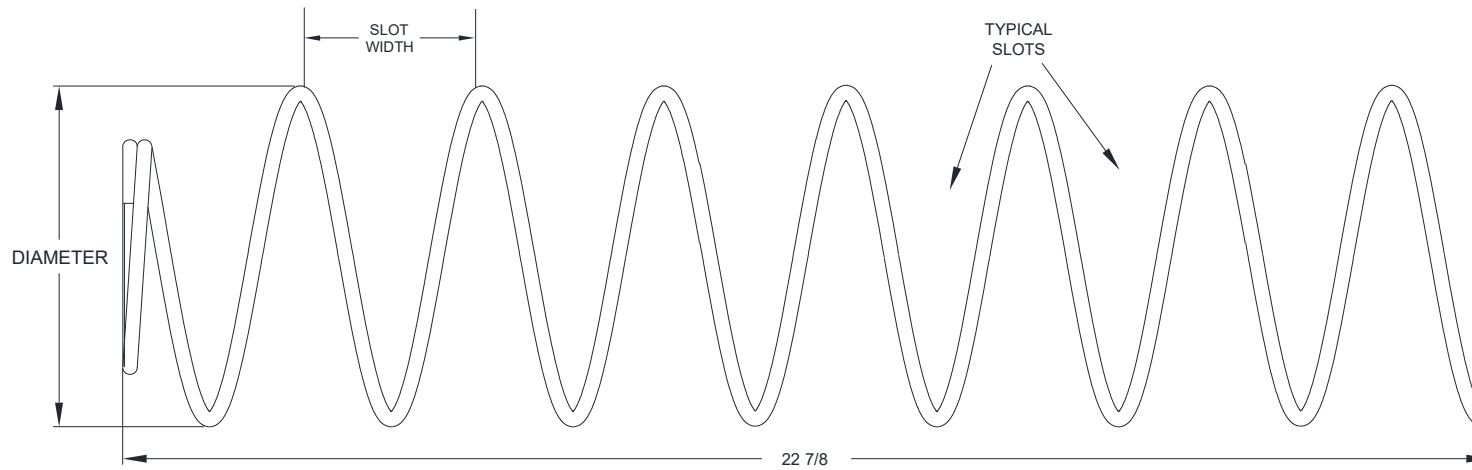
# HELIX



TYPICAL 1.5 HELIX TRAY SMALL HELIX



TYPICAL SMALL HELIX



TYPICAL LARGE HELIX

## HELIX

PART NO.	HELIX DESCRIPTION *	SLOT (VEND) WIDTH	NUMBER OF SLOTS (PITCH)	HELIX OUTSIDE DIAMETER	TURNS	QTY. PER COLUMN	NOTES
20119-05	Helix, Small CW, Black	4	5	2.6	CW	1	
20120-05	Helix, Small CCW, Black	4	5	2.6	CCW	1	
20119-07	Helix, Small CW, Black	2 7/8	7	2.6	CW	1	
20120-07	Helix, Small CCW, Black	2 7/8	7	2.6	CCW	1	
20119-08	Helix, Small CW, Black	2 1/2	8	2.6	CW	1	
20120-08	Helix, Small CCW, Black	2 1/2	8	2.6	CCW	1	
20119-09	Helix, Small CW, Black	2 1/4	9	2.6	CW	1	
20120-09	Helix, Small CCW, Black	2 1/4	9	2.6	CCW	1	
20119-10	Helix, Small CW, Black	2	10	2.6	CW	1	
20120-10	Helix, Small CCW, Black	2	10	2.6	CCW	1	
20119-12	Helix, Small CW, Black	1 5/8	12	2.6	CW	1	
20120-12	Helix, Small CCW, Black	1 5/8	12	2.6	CCW	1	
20119-15	Helix, Small CW, Black	1 1/4	15	2.6	CW	1	
20120-15	Helix, Small CCW, Black	1 1/4	15	2.6	CCW	1	
20119-18	Helix, Small CW, Black	1	18	2.6	CW	1	
20120-18	Helix, Small CCW, Black	1	18	2.6	CCW	1	
20119-24	Helix, Small CW, Black	3/4	24	2.6	CW	1	
20120-24	Helix, Small CCW, Black	3/4	24	2.6	CCW	1	
20119-32	Helix, Small CW, Black	1/2	32	2.6	CW	1	
20120-32	Helix, Small CCW, Black	1/2	32	2.6	CCW	1	

\*Contact your distributor for special helix diameters and pitches. Contact AMS for your application.

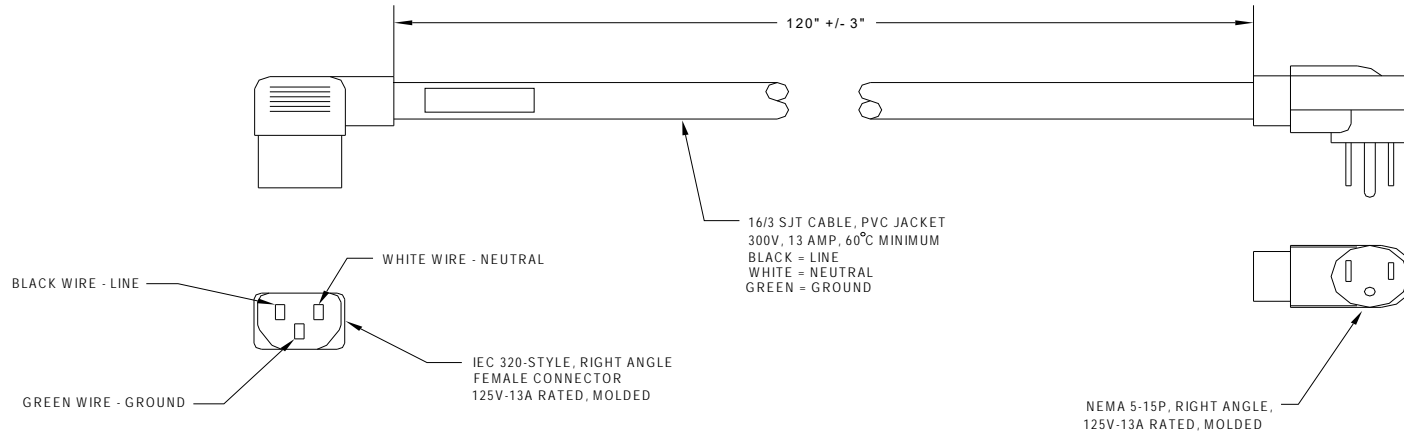
<b>PART NO.</b>	<b>HELIX DESCRIPTION *</b>	<b>SLOT (VEND) WIDTH</b>	<b>NUMBER OF SLOTS (PITCH)</b>	<b>HELIX OUTSIDE DIA.METER</b>	<b>TURNS</b>	<b>QTY. PER COLUMN</b>	<b>NOTES</b>
21336	Helix, 3", CCW, Black	3 1/4	6	3	CCW	1	Bottle Tray
21337	Helix, 3", CCW, Black	3	6	3	CCW	1	Bottle Tray
21465-04	Helix, 3.75" CCW, Black	4 1/8	4	3.75	CCW	1	Large Diameter
21465-05	Helix, 3.75" CCW, Black	3 3/8	5	3.75	CCW	1	Large Diameter
21465-07	Helix, 3.75" CCW, Black	2 1/2	7	3.75	CCW	1	Large Diameter
21465-09	Helix, 3.75" CCW, Black	2	9	3.75	CCW	1	Large Diameter
21465-10	Helix, 3.75" CCW, Black	2	10	3.75	CCW	1	Large Diameter
21465-12	Helix, 3.75" CCW, Black	1 1/2	12	3.75	CCW	1	Large Diameter
21465-15	Helix, 3.75" CCW, Black	1 1/4	15	3.75	CCW	1	Large Diameter

\*Contact your distributor for special helix diameters and pitches. Contact AMS for your application.

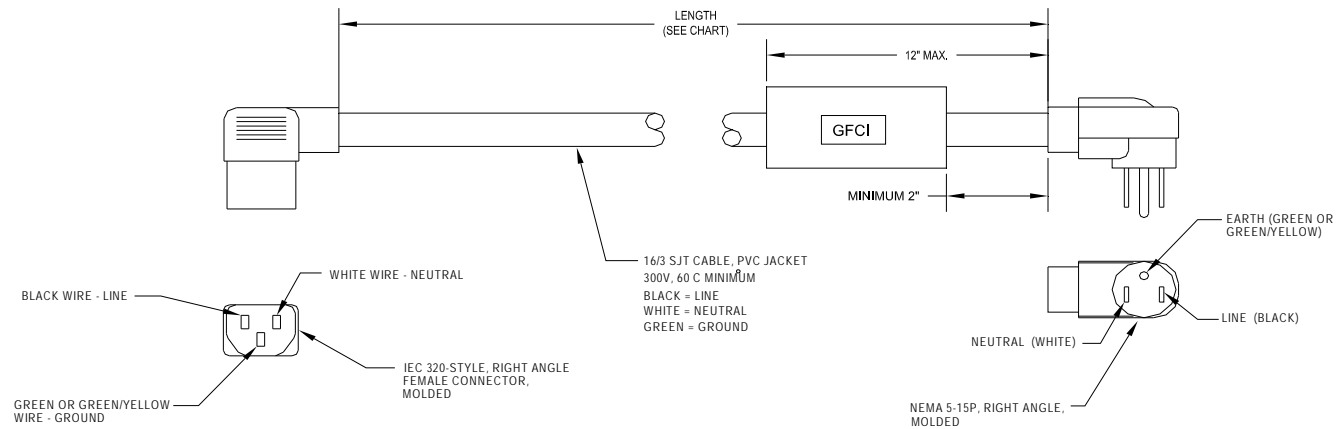


THIS PAGE INTENTIONALLY LEFT BLANK

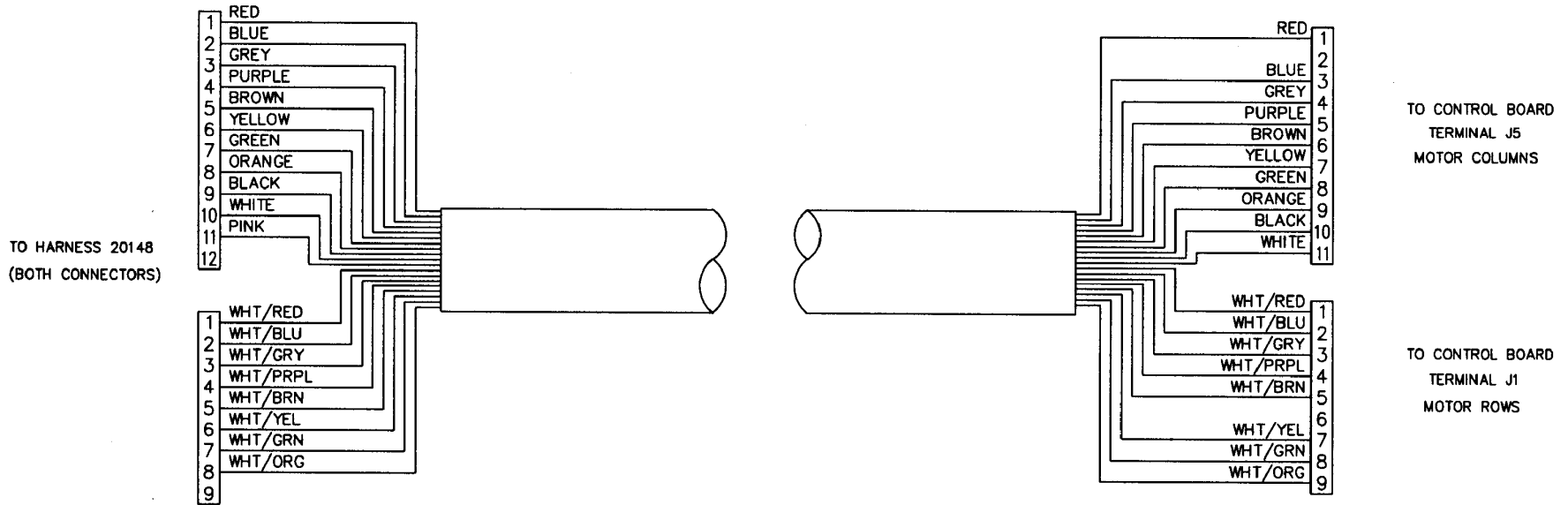
# ELECTRICAL HARNESSES



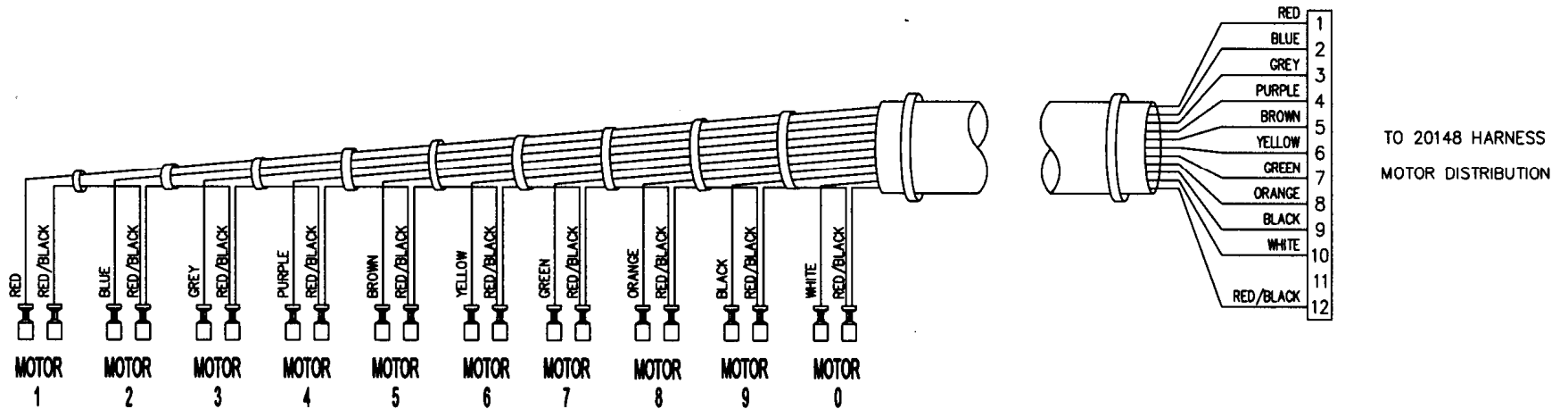
## 20142, POWER CORD ASSEMBLY, 115V DOMESTIC



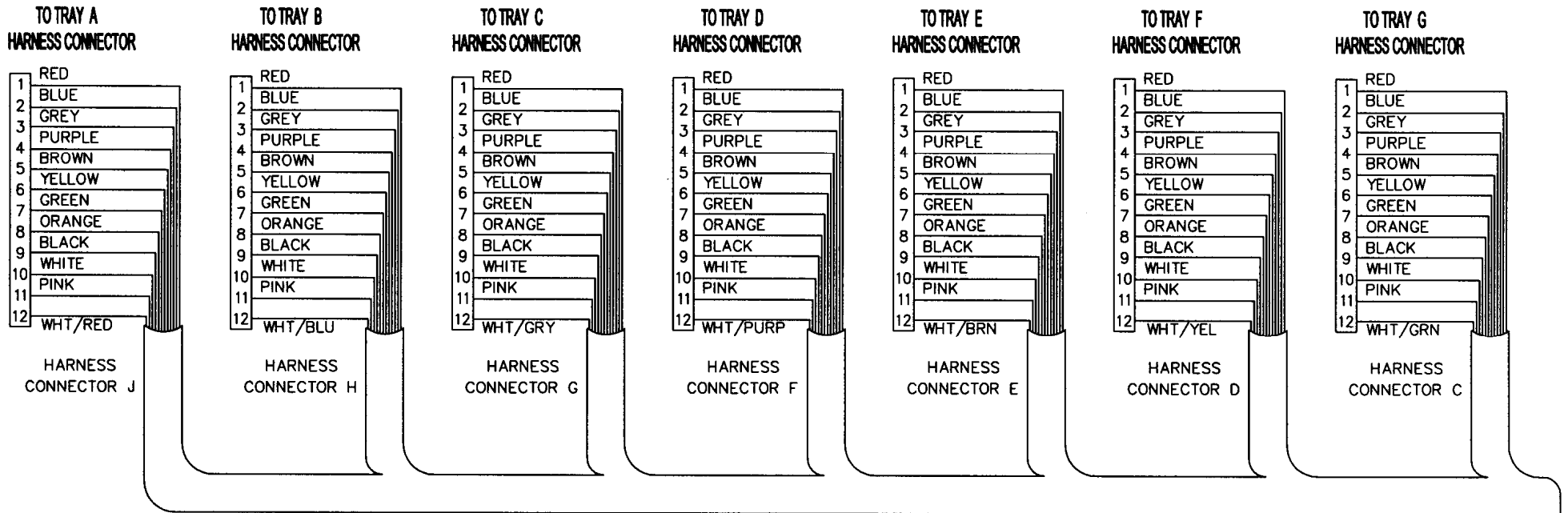
## 22402, POWER CORD ASSEMBLY, 115V, US and CANADA



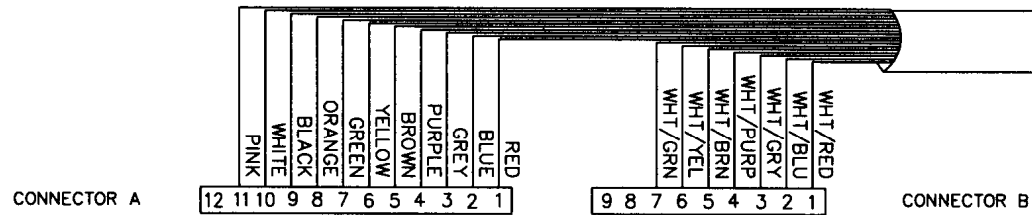
20146, HARNESS, DOOR MOTORS



20147, HARNESS, TRAY, 10 COLUMN

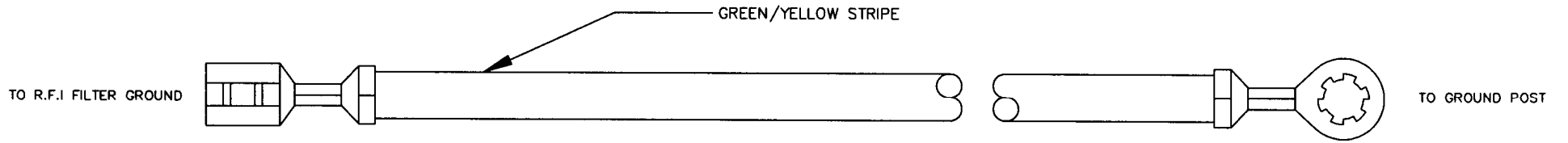


(CONNECTOR A IS JUMPERED TO ALL CONNECTORS TO TRAYS, PINS 1 -11)

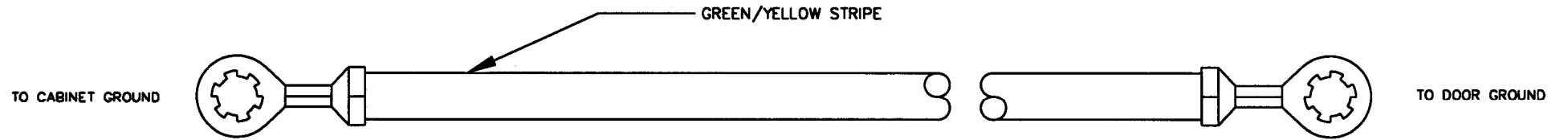


CONNECTOR A AND B TO 20146 HARNESS, DOOR MOTOR

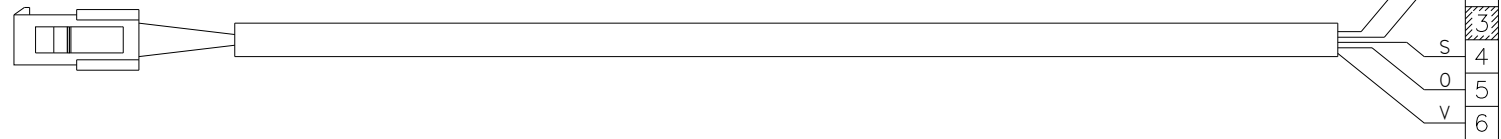
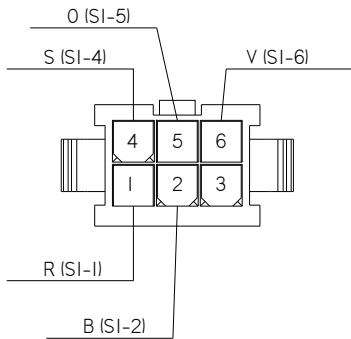
20148, HARNESS, MOTOR DISTRIBUTION



20154, HARNESS, R.F.I. FILTER GROUND



20156-01, HARNESS, GROUND

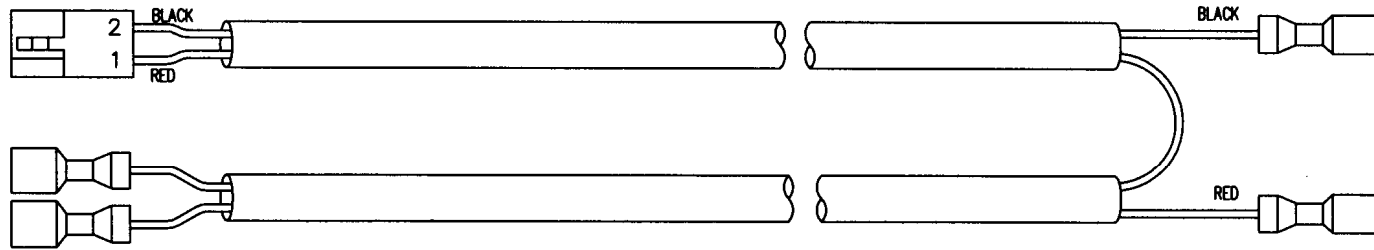


20158 HARNESS, MULTI-DROP BUS



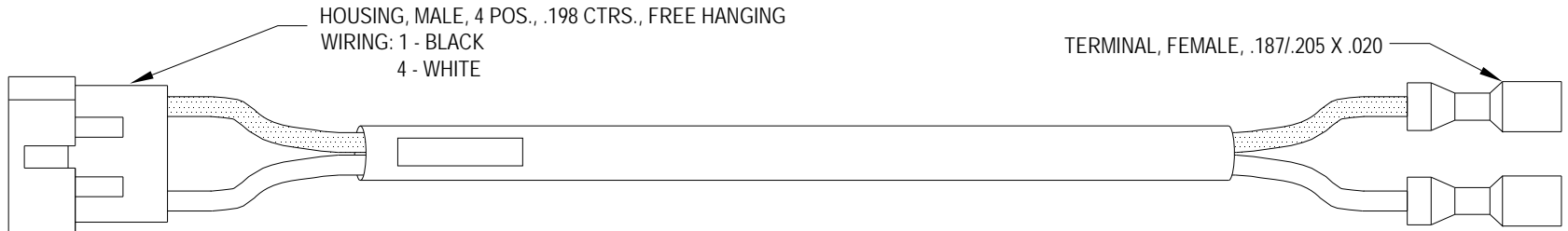
20698 HARNESS, EVAPORATOR FAN SWITCH

TO 21591 HARNESS, POWER AND REFRIGERATION RELAY, LEFT SIDE DOOR SWITCH



TO TRANSFORMER  
24 VAC SECONDARY

### 20701, HARNESS, TRANSFORMER AND FUSE

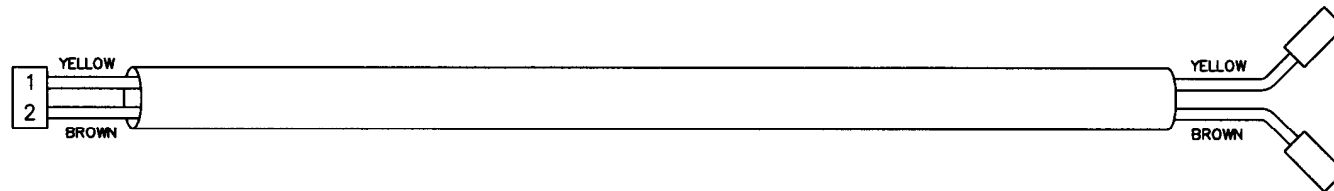


HOUSING, MALE, 4 POS., .198 CTRS., FREE HANGING  
WIRING: 1 - BLACK  
4 - WHITE

TERMINAL, FEMALE, .187/.205 X .020

### 20899 HARNESS, WINDOW HEATER TRANSFORMER

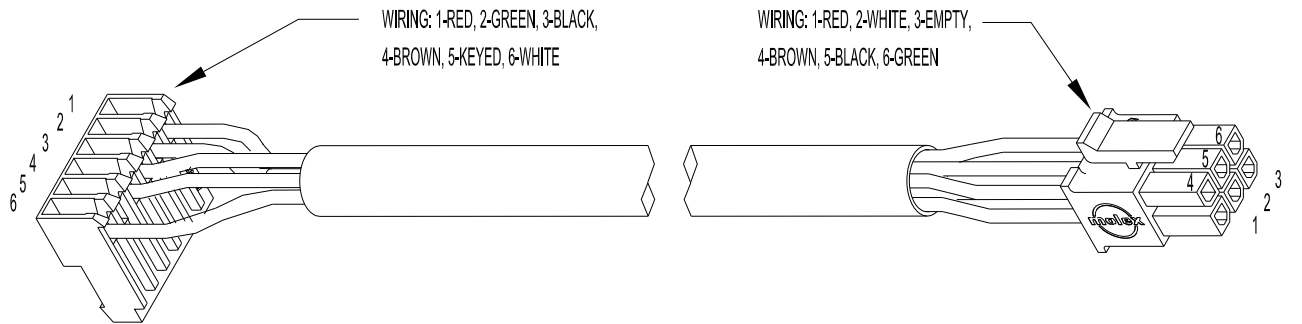
TO 21591, HARNESS, CONTROL POWER AND REFRIGERATION RELAY, LEFT SIDE DOOR SWITCH



TO CHILLER RELAY  
COIL SIDE

### 21405, HARNESS, REFRIGERATION RELAY, T9A SERIES

TO CONTROL BOARD  
TERMINAL J14  
SENSOR

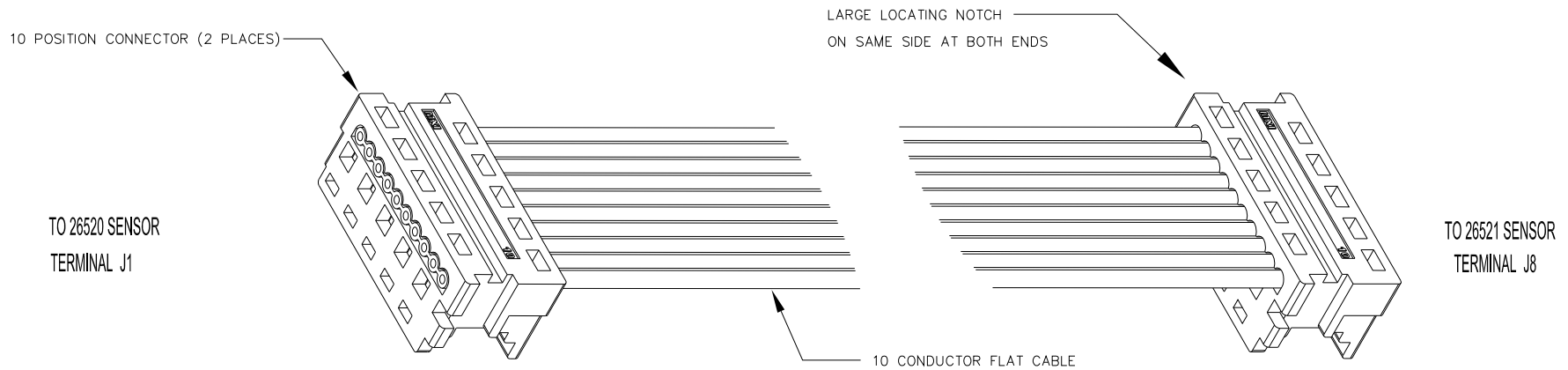


WIRING: 1-RED, 2-GREEN, 3-BLACK,  
4-BROWN, 5-KEYED, 6-WHITE

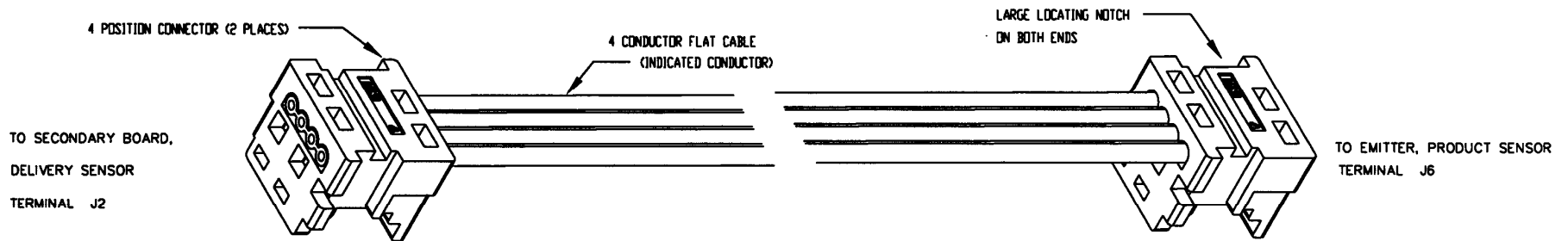
WIRING: 1-RED, 2-WHITE, 3-EMPTY,  
4-BROWN, 5-BLACK, 6-GREEN

TO 26520 PRIMARY SENSOR  
TERMINAL J4

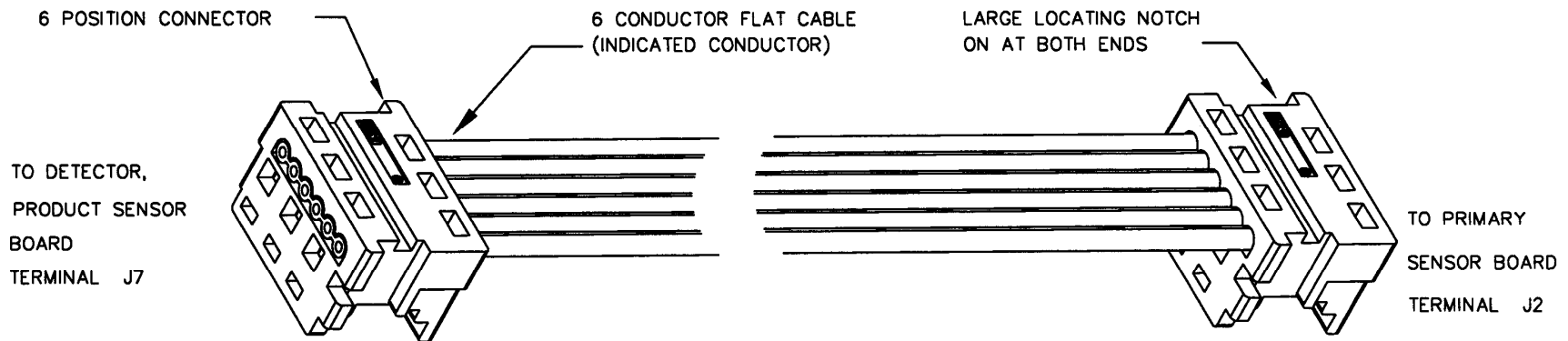
### 21425 HARNESS, DELIVERY SENSOR DETECTOR/CONTROL



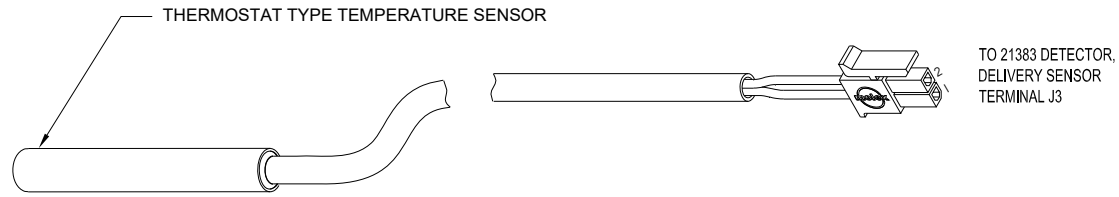
21426 HARNESS, DELIVERY SENSOR DETECTOR/EMITTER



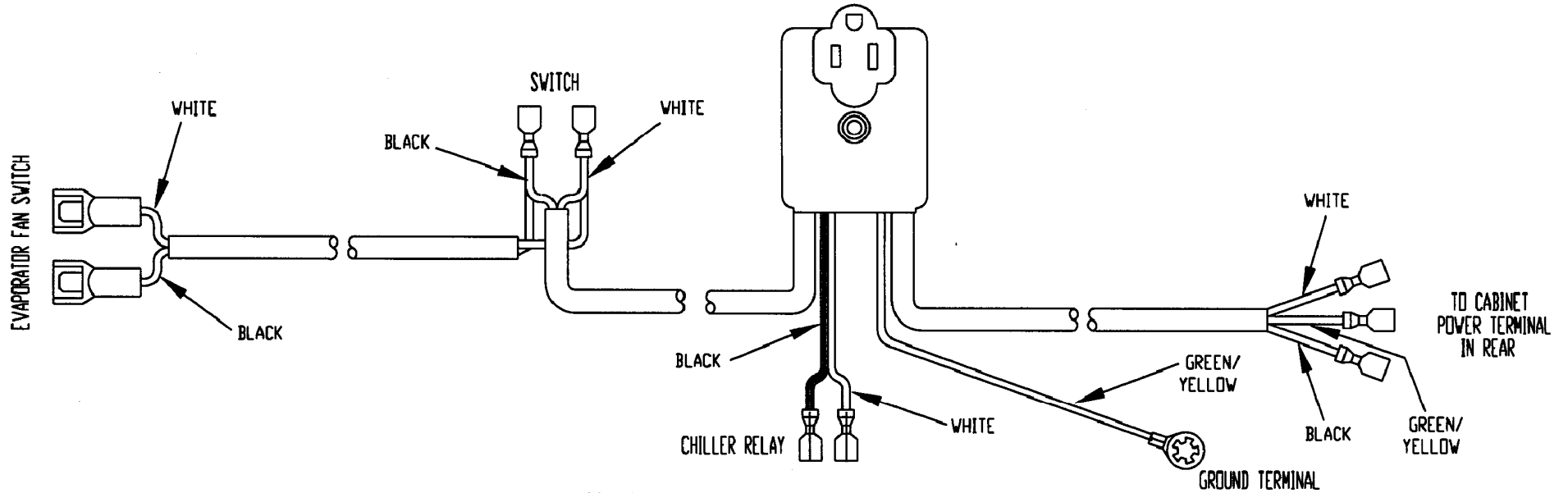
21427 HARNESS, PRODUCT SENSOR EMITTER, (OPTIONAL)



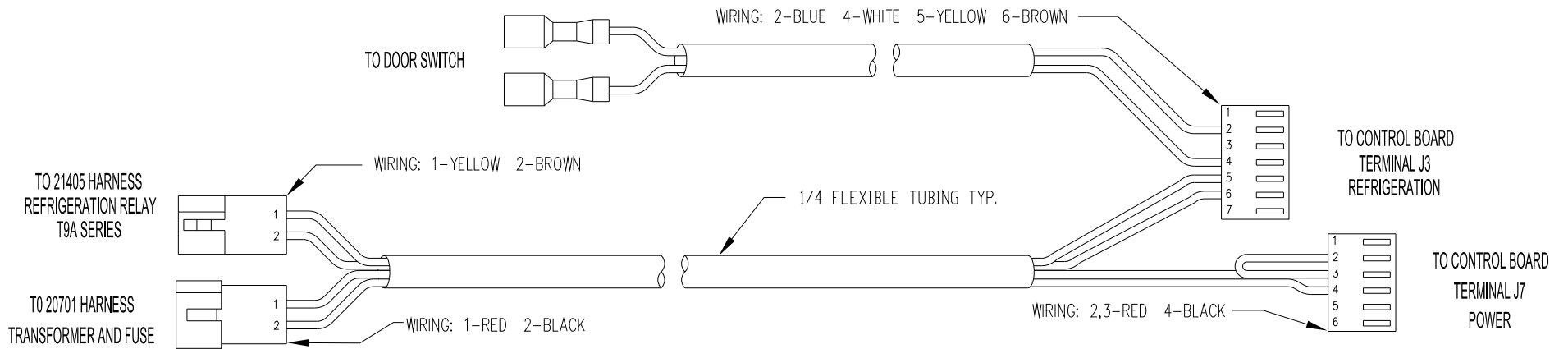
21428, HARNESS, PRODUCT SENSOR DETECTOR (OPTIONAL)



21468 THERMOSTAT TYPE TEMPERATURE SENSOR

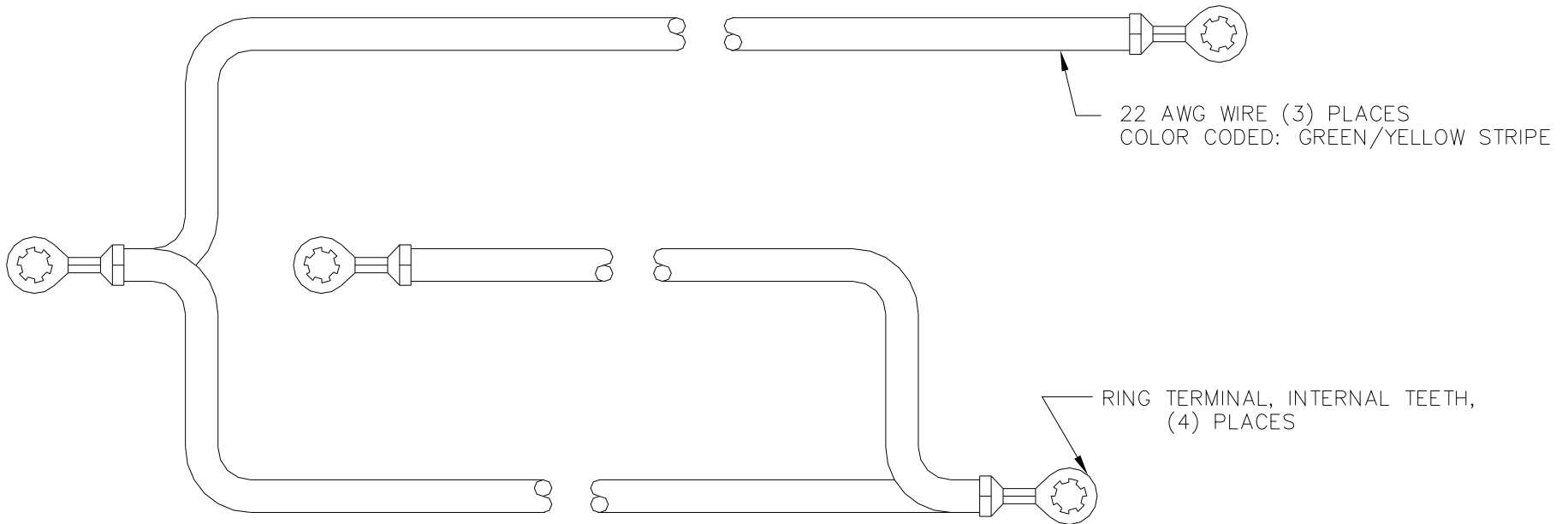
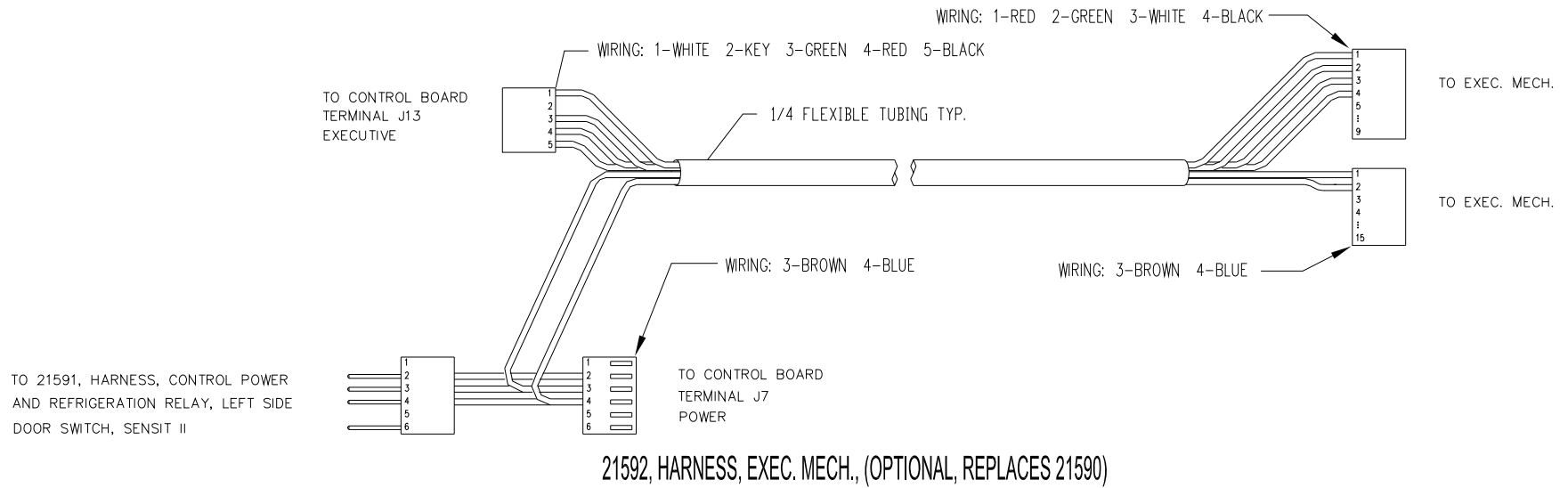


21484, HARNESS, POWER DISTRIBUTION, INTEGRAL SOCKET, ON/OFF SWITCH

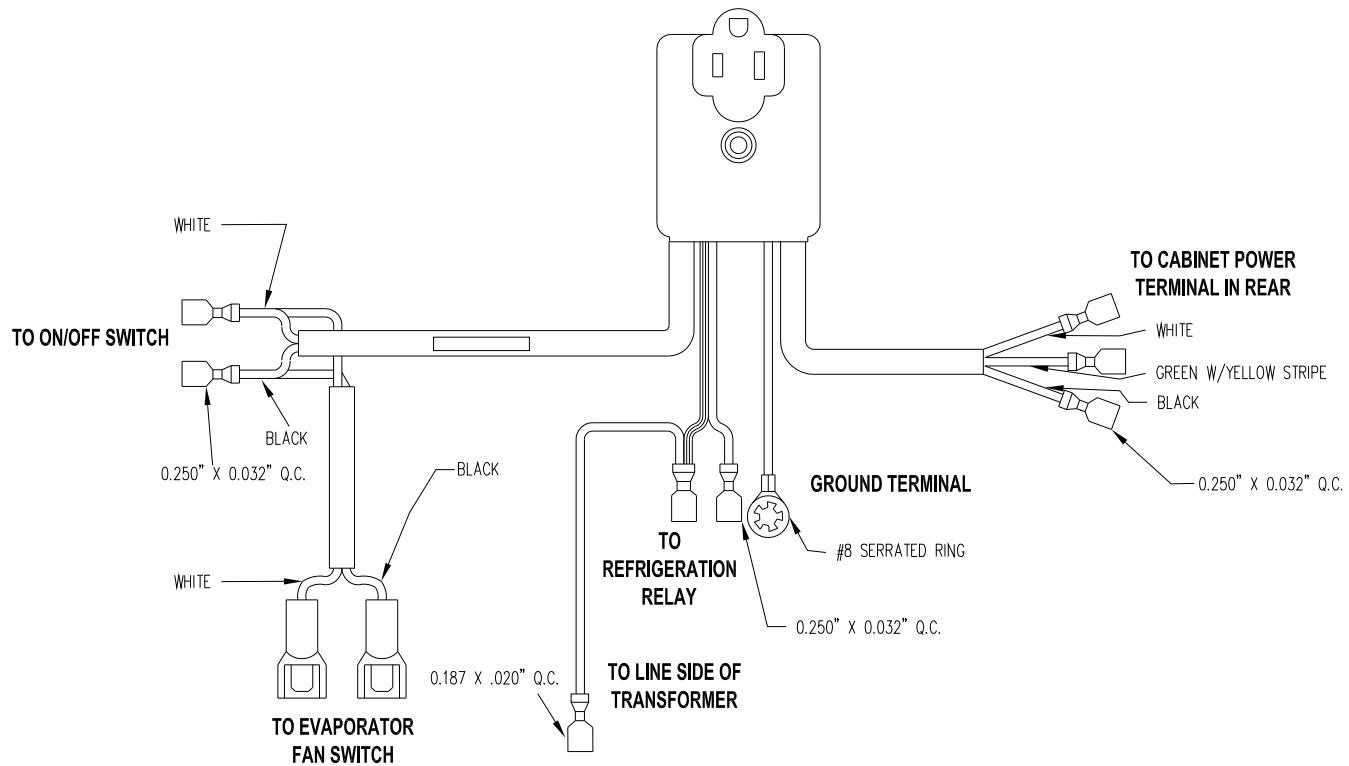


21591, HARNESS, CONTROL POWER AND REFRIGERATION RELAY

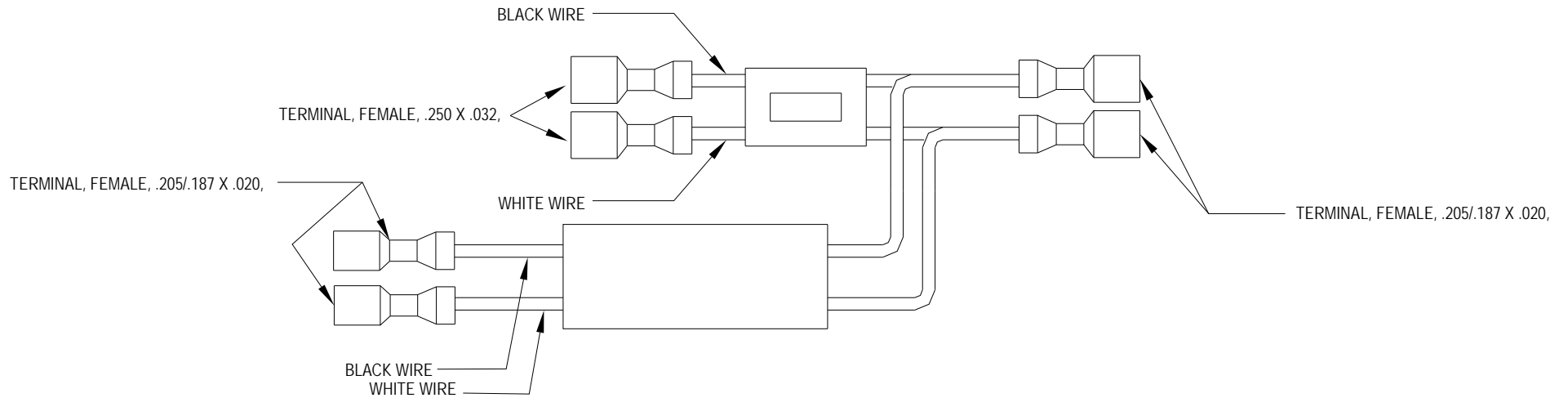




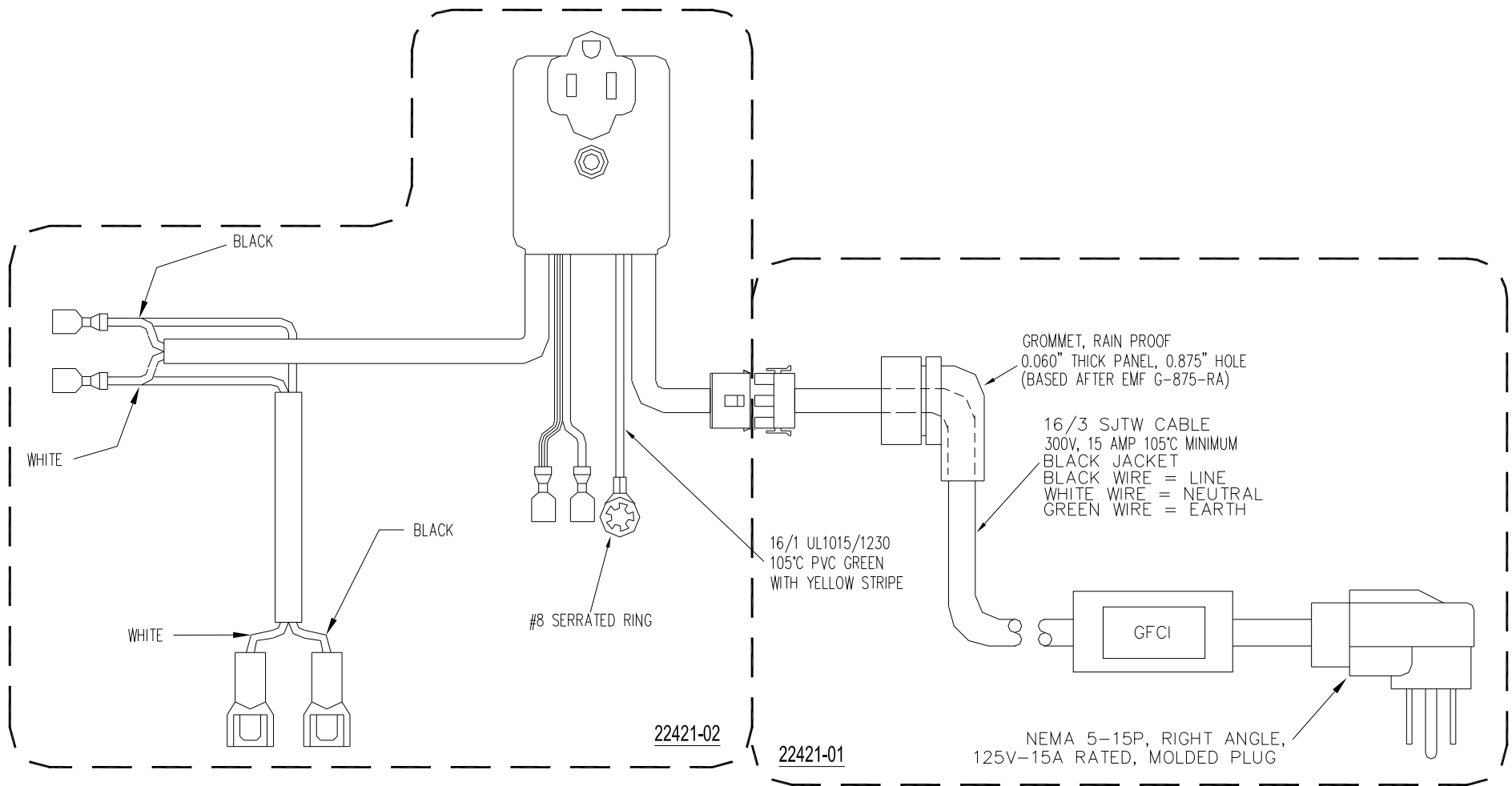
## 21978 HARNESS, GROUND, EMITTER/ DETECTOR



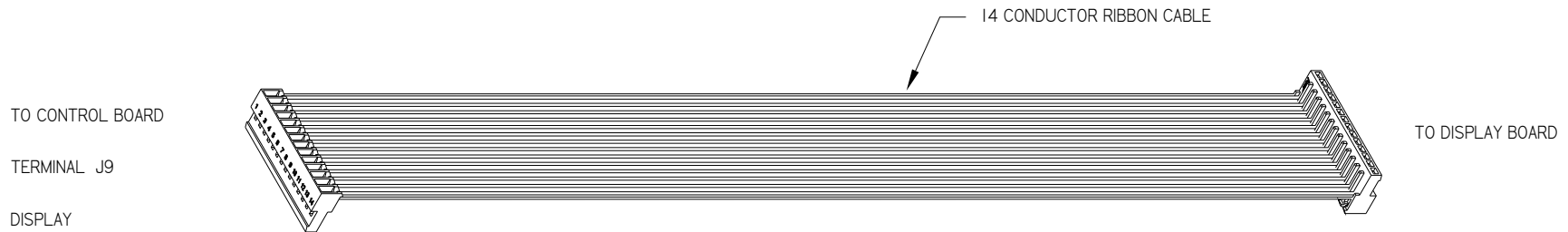
**22815 HARNESS, POWER DISTRIBUTION, H.E.**



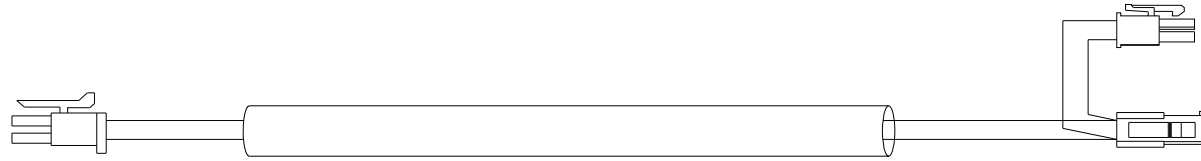
**23625, HARNESS, DUAL TRANSFORMER, NO BALLAST**



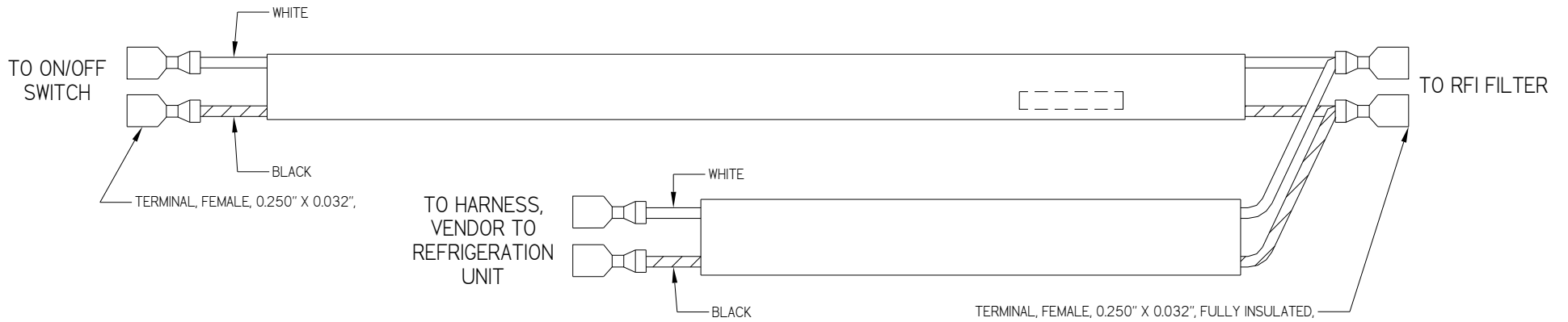
22421 POWER CORD / POWER DISTRIBUTION, 115V U.S. AND CANADA



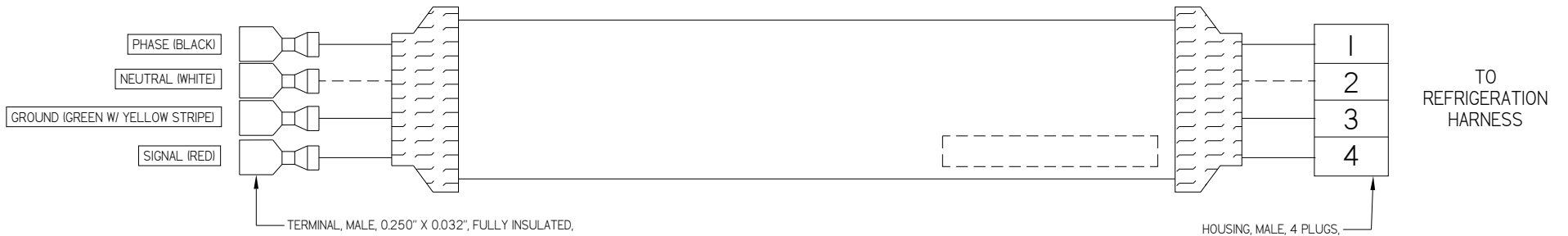
24015-01 HARNESS, DISPLAY



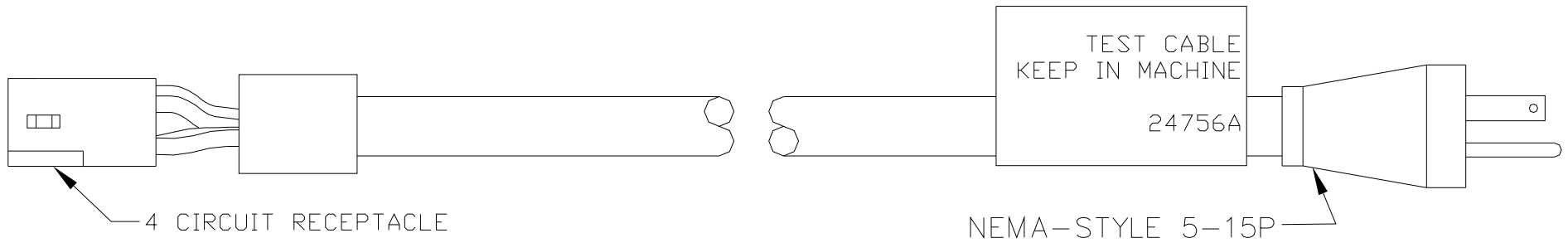
**24338 HARNESS, LIGHTED POS POWER**



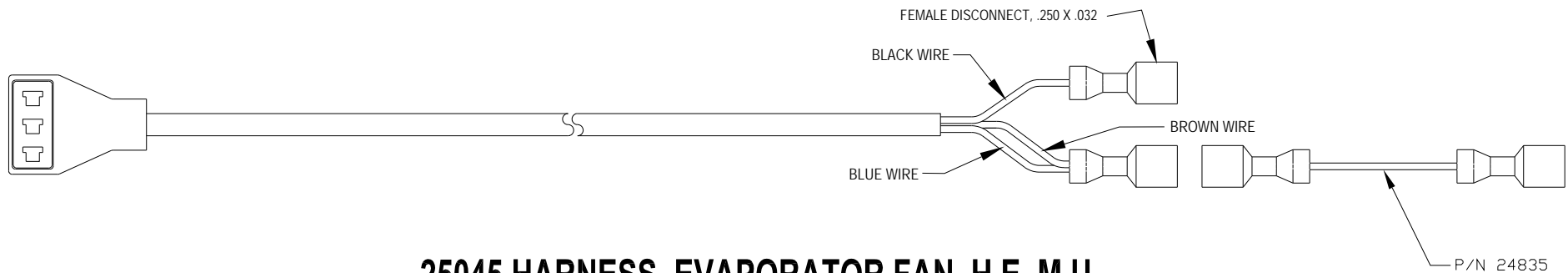
**24410, HARNESS, ON/OFF SWITCH TO RFI FILTER, IAMS HE REFRIG. UNIT**



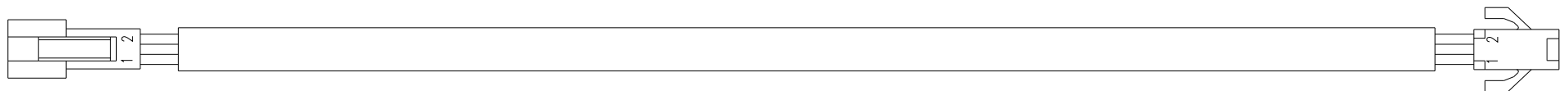
**24412, HARNESS, VENDOR TO REFRIG. UNIT, ES**



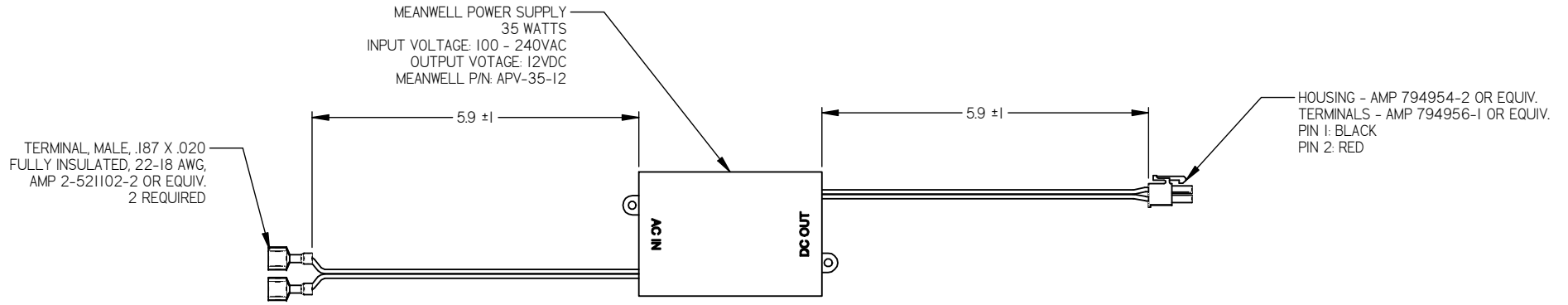
**24756, HARNESS, TEST ES COMPRESSOR AND CONDENSER FAN**



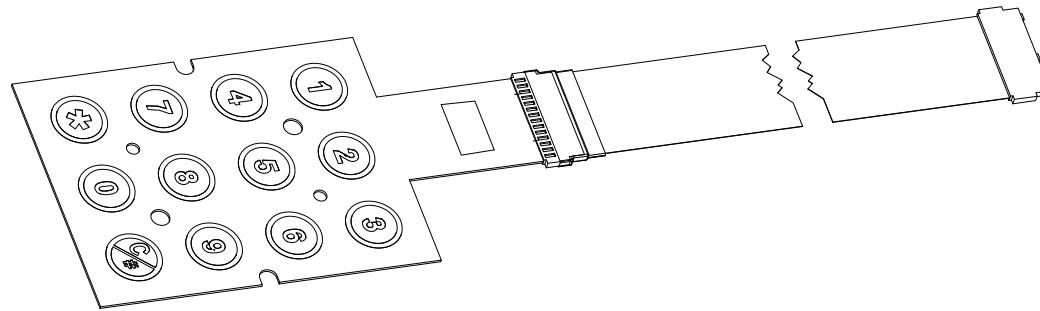
**25045 HARNESS, EVAPORATOR FAN, H.E. M.U.**



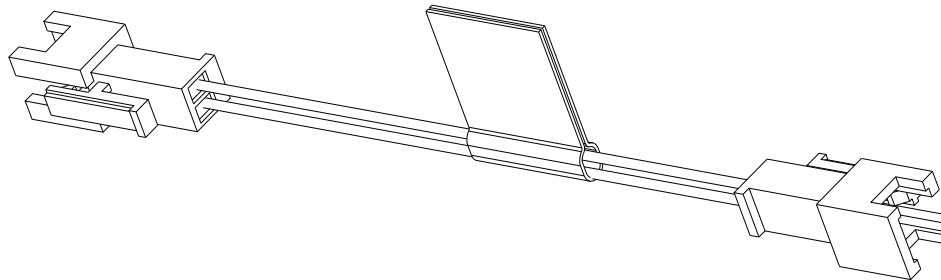
**25641 HARNESS, LED, CONTROL MODULE, LOCKER SYSTEM**



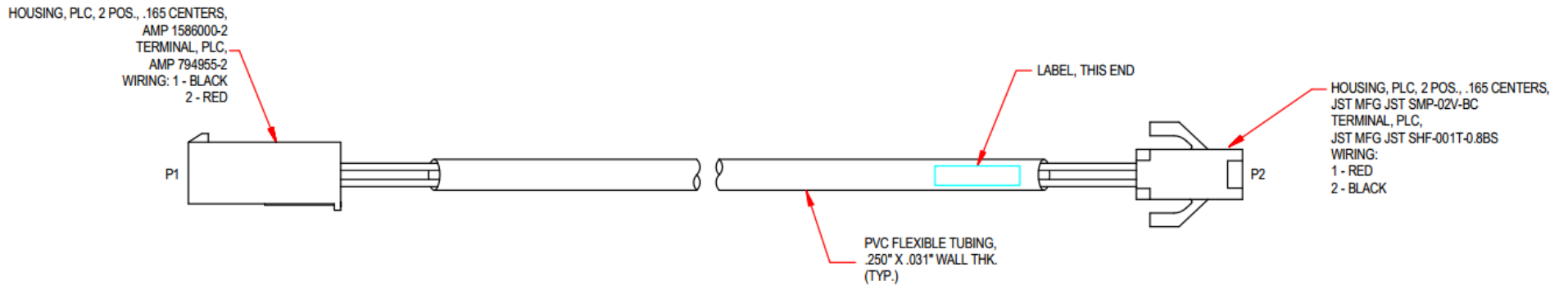
**25690 HARNESS, POWER SUPPLY, 12 VDC**



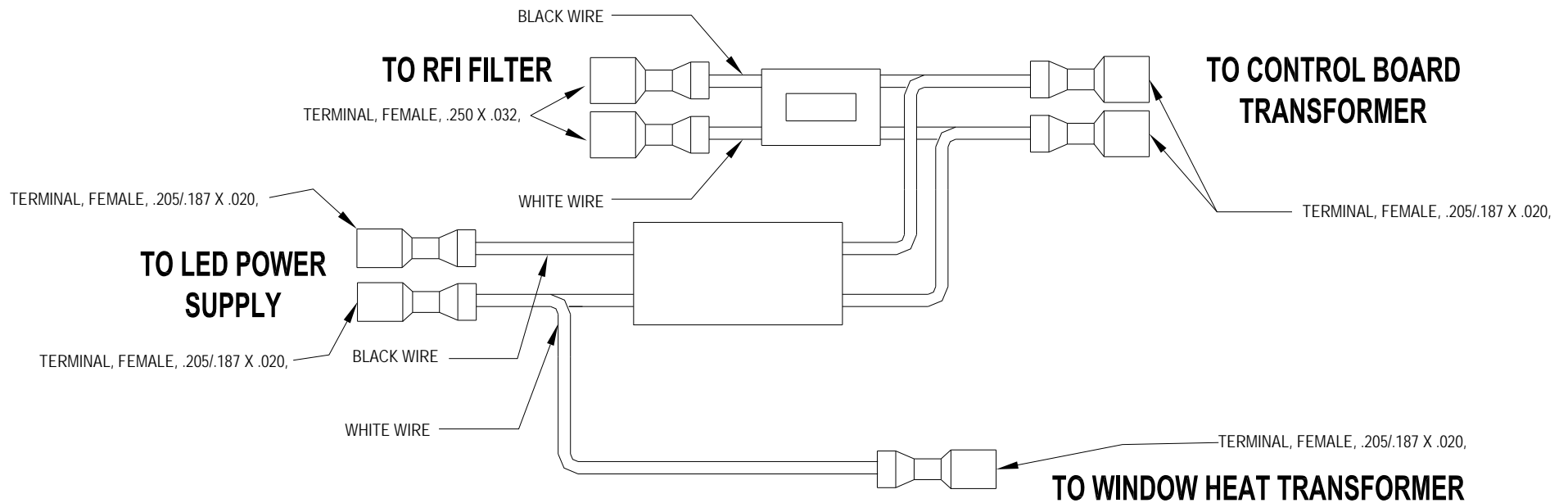
25688 ASSEMBLY, LIGHTED KEPAD



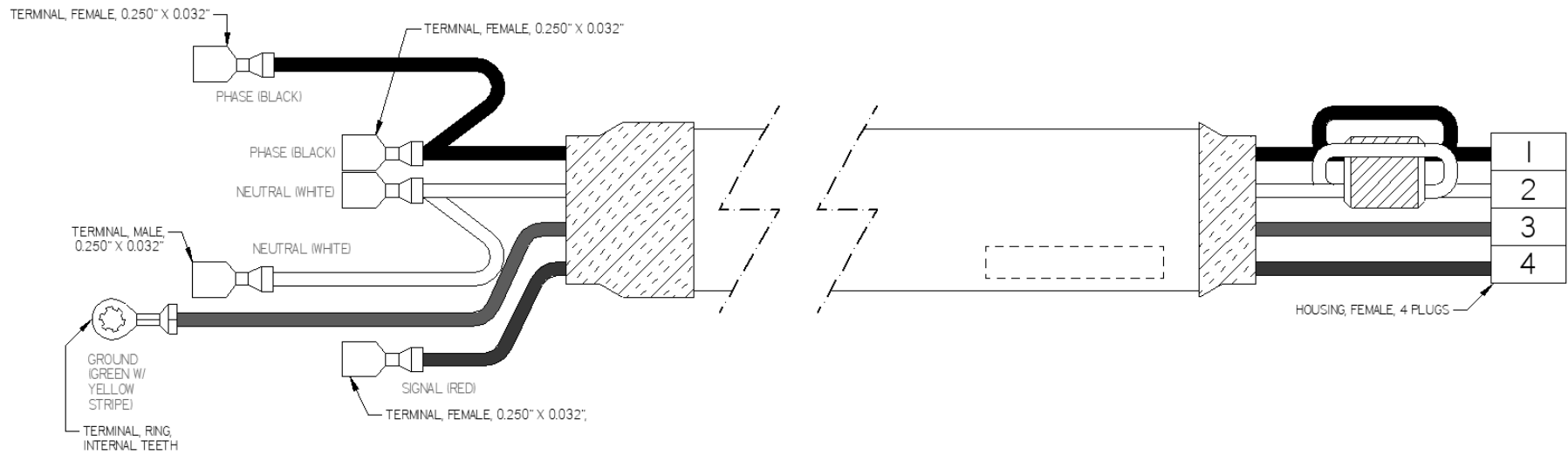
26519, HARNESS, CLEANLIFE GENDER CHANGER



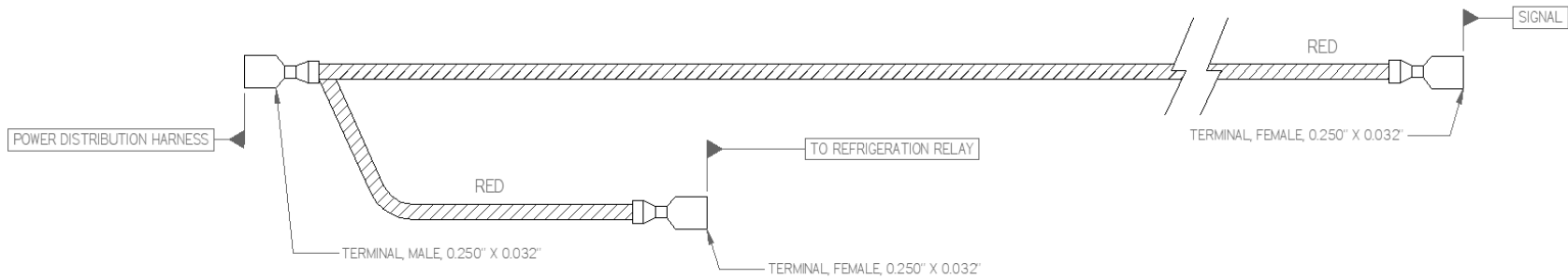
**27569, HARNESS ASSY., LED EXTENSION / ADAPTOR, CLEANLIFE**



**27914 HARNESS, DUAL TRANSFORMER AND POWER SUPPLY,  
SWITCHED WINDOW HEATER**



**28351, HARNESS, REFRIGERATION, EVS**



**28352, HARNESS, SIGNAL JUMPER, EVS**



## ELECTRICAL HARNESSES

PART NO.	PART DESCRIPTION	QTY.	NOTES
20142	Power Cord Assembly, 115V Domestic	1	
20146	Harness, Door Motors	1	
20147	Harness, Tray, 10 Column	1	Use For 5 Column Tray
20148	Harness, Motor Distribution	1	
20154	Harness, R.F.I. Filter Ground	1	
20156-01	Harness, Ground	1	
20158	Harness, Multi-Drop Bus	1	
20698	Harness, Evaporator Fan Switch	1	
20701	Harness, Transformer and Fuse	1	
20899	Harness, Window Heater Transformer	1	
21405	Harness, Refrigeration Relay T9A	1	
21425	Harness, Delivery Sensor Detector/Control	1	Primary to Control Board
21426	Harness, Delivery Sensor Detector/Emitter	1	Secondary to Primary Board
21427	Harness, Product Sensor Emitter	1	Secondary to Emitter Board (Optional)
21428	Harness, Product Sensor Detector	1	Primary to Detector Board (Optional)
21468	Temperature Sensor, and Harness	1	Integral to Sensor, for Chiller
21484	Harness, Power Distribution, Integral Socket	1	
21591	Harness, Control Power & Refrigeration Relay	1	
21592	Harness, Executive Mech. Connector	1	

PART NO.	PART DESCRIPTION	QTY.	NOTES
21978	Harness, Ground, Emitter/ Detector	1	
22402	Power Cord Assembly, 115, US and Canada	1	With GFCI, Use in U.S. and Canada
22421	Power Cord / Power Distribution, 115V US & Canada	1	LTS9/LTV9 Outdoor only.
22815	Harness, Power Distribution, H. E.	1	
23625	Harness, Transformer, No Ballast	1	Use with LED Lighting
24015-01	Harness, Display	1	
24338	Lighted POS Power Harness	1	
24410	Harness, ON/OFF Switch to RFI Filter, IAMS HE Refrig. Unit	1	
24412	Harness, Vendor to Refrig. Unit, ES	1	
24756	Harness, Test ES Compressor and Condenser Fan	1	
25045	Harness, Evaporator Fan, H.E. M.U.		
25641	Harness, LED, Control Module, Locker System	1	
25688	Assembly, Lighted Keypad	1	
25690	Harness, Power Supply, 12 VDC	1	
26519	Harness, Cleanlife Gender Changer	1	
27569	Harness Assy., LED Extension / Adaptor, Cleanlife	1	
27914	Harness, Dual Transformer and Power Supply, Switched Window Heater	1	For Chiller Power
28351	Harness, Refrigeration, EVS	1	
28352	Harness, Signal Jumper, EVS	1	

**NOTE:** Some assemblies, such as the keypad, are fabricated with the harness as a unit. These are replaceable only as a unit. Some harness assemblies listed above are for options which may not have been contracted for and installed by AMS.

THIS PAGE INTENTIONALLY LEFT BLANK

