



MODEL AMS 39-VRM

GLASS FRONT
OUTDOOR MERCHANDISER
ILLUSTRATED PARTS MANUAL

L0088 REV H

AUTOMATED MERCHANDISING SYSTEMS INC
255 WEST BURR BLVD.
KEARNEYSVILLE, WV 25430
304-725-6921 - Fax 304-725-6983

info@amsvendors.com
www.amsvendors.com

INTERNATIONAL A.M.S. S DE RL DE CV
KM. 9 CARR. AL CASTILLO NO. 8200
MPIO. DE EL SALTO, JAL. MEXICO 45680
5233-3-6-88-07-17 - Fax 5233-3-6-88-13-14

www.amsint.com.mx
servicio@amsint.com.mx

THIS PAGE INTENTIONALLY LEFT BLANK

AMS Glass Front Outdoor Merchandiser Illustrated Parts Manual Model AMS 39-VRM

Table of Contents

SECTION	PAGE
INTRODUCTION	
Table of Contents	1
General Introduction	3
Manual Organization	3
Merchandiser Identification	4
Patent Disclosure	5
Publication Notice	5
 CABINET PARTS	
Cabinet and Additional Parts Illustration	6
Cabinet Screens Illustration	10
 CHILLER	
Chiller Parts Illustration– Side View	12
Chiller Parts Illustration– Top View	14
 DOOR PARTS	
Coin Bay Door Illustration	16
Door, Internal Hinges, Lighting and Glass Illustration	18
Door, External Front and Sides Illustration	20
Door, Product Hopper Illustration	22
POS Display Illustration	24
 ELECTRICAL HARNESSSES ILLUSTRATIONS	
26	
 TRAYS AND PARTS	
1.5" Helix Tray Illustration	42
Bottle Tray Illustration	44
Snack/Candy/Food Tray Illustration	46
Scrolling Price Snack Tray Illustration	48
Horizontal Can Tray Illustration	50
Helix Illustrations	52

THIS PAGE INTENTIONALLY LEFT BLANK

GENERAL INTRODUCTION

The purpose of this manual is to give our customers a way of identifying major service parts for repair and replacement. The illustrations and parts list in this manual are for identification only. Some optional parts are also shown.

Illustrations of these major parts are keyed with our part numbers. The illustrations help identify the general design, position and orientation of these parts. The note section may also give important information.

Please refer to the section on merchandiser identification on the following pages. Without the model style and serial number it may be difficult to identify the required part.

Parts should be ordered from your distributor.

It is our intent to assist our customers with up-to-date documentation. However, this manual may not show all parts, variations or changes. Some parts may be shown out of scale. This manual is itself subject to change without notice. If any errors are found, please notify AMS so the correction can be included in later revisions. Engineering data and third party information are generally not included. The graphical data, group assembly data, parts, part assembly, parts breakout information and tabular data conveyed by this manual is proprietary and belongs to AMS, and holders without prior consent of or without knowledge of and by AMS must surrender this data immediately.

All measurements are in inches except where specified as Metric.

MANUAL ORGANIZATION

This manual is divided into general sections. Each section is further divided into the various subsections or subassemblies. These lead off with one or more illustrations showing the parts and each part is identified with a number. Note that some part numbers are for assemblies fabricated as a unit at AMS and are replaceable only as a unit. Also, other part numbers identify optional parts which may or may not have been contracted for and factory installed by AMS.

The part number in the illustration is listed with the description or title for that part. In some instances there may be multiple parts to choose from. The correct service or repair part for the style of merchandiser must be selected. A quantities column in the list indicates quantities required.

There is a note section where additional information may be found.

This manual contains additional and new information for a vendor as currently manufactured. Older revisions of this manual should be kept with older vendors.

MERCHANDISER IDENTIFICATION

When requesting service, replacement parts or technical assistance, please use the **Model Number** and the **Serial Number with Date Code**, found on the Serial Plate (Refer to Figure 1 below) affixed to the merchandiser. The plate is usually located inside the window. The information contained on this plate is necessary to determine what parts, kits, or maintenance apply to your vendor.

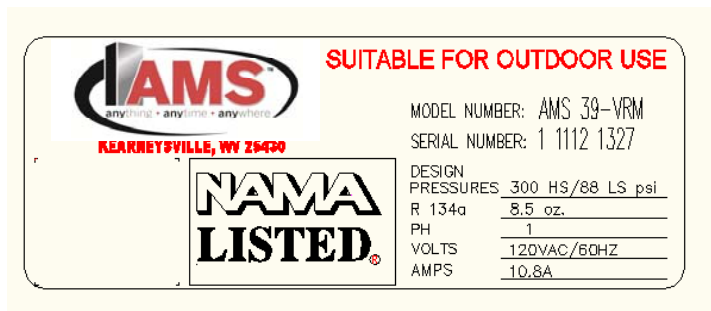
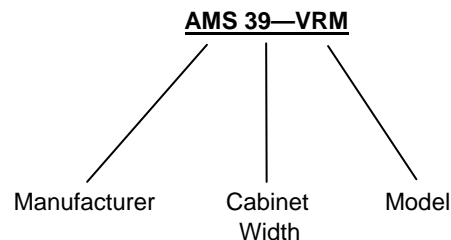


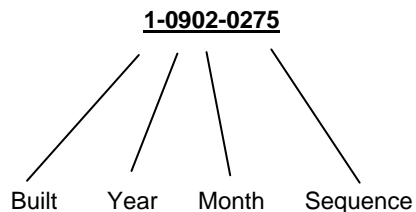
Figure 1 Typical Serial Plate

Model Number Breakdown



AMS 39-VRM means it is an Automated Merchandising Systems, **39"** wide Vandal-Resistant Merchandiser.

Example of Serial Number Breakdown



On all AMS serial numbers, the first digit identifies where a merchandiser was manufactured. Those merchandisers built in the U.S. start with the number **1**. Those merchandisers built in Mexico start with the number **2**.

The next two digits identify the year of manufacturer. These numbers are **09** for (2009) and so forth.

The next two digits identify the month. The first month of the year is **01** and the last month is **12**.

The last four digits identify the numbers assigned to each merchandiser during assembly. Numbering starts with **0000** and continues through **9999**, whereupon these four digits start over. An example of the numbering system in use is as follows:

1-0902-1156

This merchandiser was manufactured at the Kearneysville, W.V. plant in 2009, in February, and was the 1156th merchandiser manufactured.

PATENT DISCLOSURE

This merchandiser and/or certain of its components are covered by one or more of the following U.S. and international patents;

U.S. PATENTS: 6,145,699; 6,384,402; 6,520,373; 6,708,079; 6,794,634; 7,191,915; 7,343,220; 7,742,837; 7,446,302; 8,003,931

CANADIAN PATENT: 2,329,314.

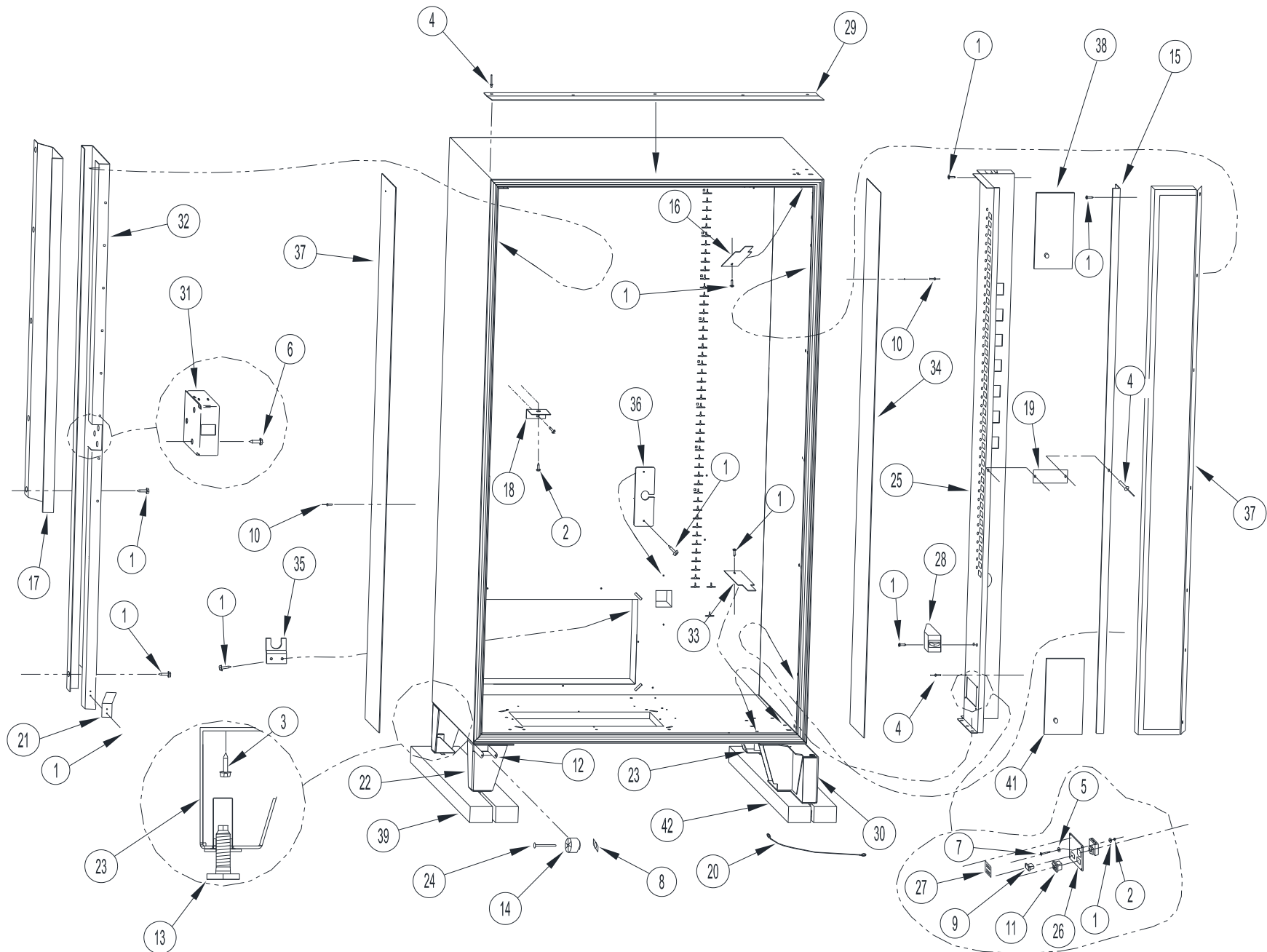
MEXICO PATENT: 230714.

PUBLICATION NOTICE

L0088, Revision H, 3790, 7/29/16

It is our intent to assist our customers with up-to-date documentation: however, this manual may not contain all updates and is subject to revision without notice. Please contact our Service Department with your requests or comments.

CABINET AND ADDITIONAL PARTS ILLUSTRATION



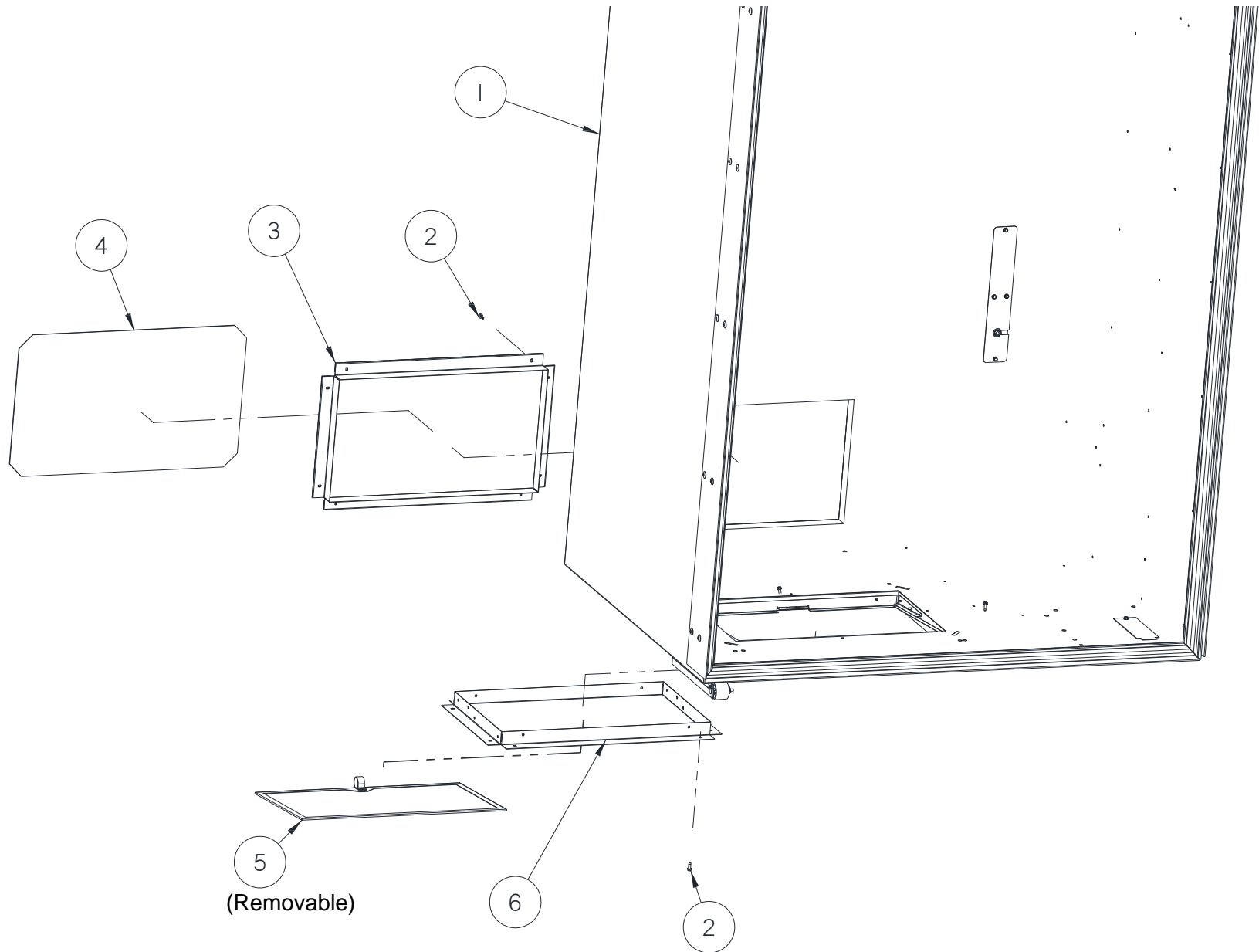
CABINET AND ADDITIONAL PARTS LIST

ITEM	PART NO.	PART DESCRIPTION	QTY.	NOTES
	21862	Assembly Cabinet, Outdoor Vendor (39")	1	
1	3000	Sheet Metal Screw TEK #8-18	46	(As Needed)
2	3006-08	Nut, 8-32, Hex, Machine Screw	9	For Attaching Power Harness
3	3007-06	Screw, 5/16-18, Type F	16	4 Per Leg
4	3009-04	Rivet, Pop, Steel, 1/8 x 1/4 Grip	10	(As Needed)
5	3017-10	Washer, #10 SAE Flat	4	For Power Harness and Door Stop Cable
6	3018-06	Sheet Metal Screw, TEK-8-18	3	
	3061-06	Screw, 10-32 x 3/4 Phillips Pan Head	2	For Door Stop Cable 20277, Not Shown
	3060-10	Nut, 10-32 w/Nylon Insert	2	For Door Stop Cable 20277, Not Shown
	3067	Spacer, .192 ID x .125 Length x 3/8 Dia.	2	For Door Stop Cable 20277, Not Shown
7	3084-10	Phillips Head 3-32 Screw Self-Tap, Type 23	1	For Power Harness
8	3113	Pushnut, 3/16" Stud	2	
9	3133-30	Fuse Holder	1	For 3AG Fast Blow Fuse Only
10	3172-02	1/4" Dia. Pop Rivet, Aluminum, Natural, 1/4" Grip Length	12	Use For Attaching Anti-Vandal Plates
11	3284	Power Switch	1	For 24V Circuit Control
12	20019	Leg, Roller Bracket	1	
13	20121	Leg, Leveling	5	Cabinet Must Be Level, Using All Legs
14	20177	Roller, Molded (Nylon)	1	
15	20213	Flange, Right Vertical	1	
16	21866	Cover Plate, Hinge Hole, Ver. 2	1	For Top Hinge
17	20481	Extension, Left Vertical Rail Mount	1	CONTACT AMS FOR YOUR APPLICATION
18	20693	Bracket, 1" Angle	4	For Attaching 20790 Bulkhead
19	21053	Stiffener, Right Vertical Rail Mount	1	
20	20277	Cable Assembly, Door Stop, Modified	1	
21	21087	Plate, Door Switch Spring	1	
22	21123	Assembly, Leg, Left Front with Thread Covers	1	

ITEM	PART NO.	PART DESCRIPTION	QTY.	NOTES
23	21124	Assembly, Leg, Rear with Thread Covers	2	
24	21250	Shaft, Headed, Roller (Zinc Plated)	1	
25	21477	Rail Mount, Right Vertical, Low Temp	1	
26	21479	Plate, Fuse Holder, Socket And Power Switch Mount	1	
27	21509	Decal, 24V Fuse, Ver. 2	1	
28	21691	Enclosure, Fan Switch, Ver. 2	1	Uses Normally Open Switch, P/N 3199
29	21776	Rain Cover Plate, Outer	1	
30	21795	Assembly, Leg, Front Hinge With Thread Cover, Outdoor Vendor	1	
31	21802	Assembly, Lock Flange	1	
32	21839	Rail Mount, Left Vertical, Use w/Welded Lock Flange	1	
33	21866	Cover Plate, Hinge Hole	1	For Bottom Leg
34	21867	Anti-Vandal Plate, Inner, Outdoor Vendor	1	
35	21878	Plate, Grommet, Wrapper Back, Outdoor Vendor	1	
36	21986	Plate, Wire Bushing, Tank Back	1	
37	22005	Assembly, Right Rail Mount Door	1	
	22421-02	Harness, Power Distribution, Outdoor Vendor	1	Not Shown
38	22463	Cover Plate, Fixed, Right Column, 24VDC Power Supply	1	
39	23231	Shipping Board	2	

THIS PAGE INTENTIONALLY LEFT BLANK

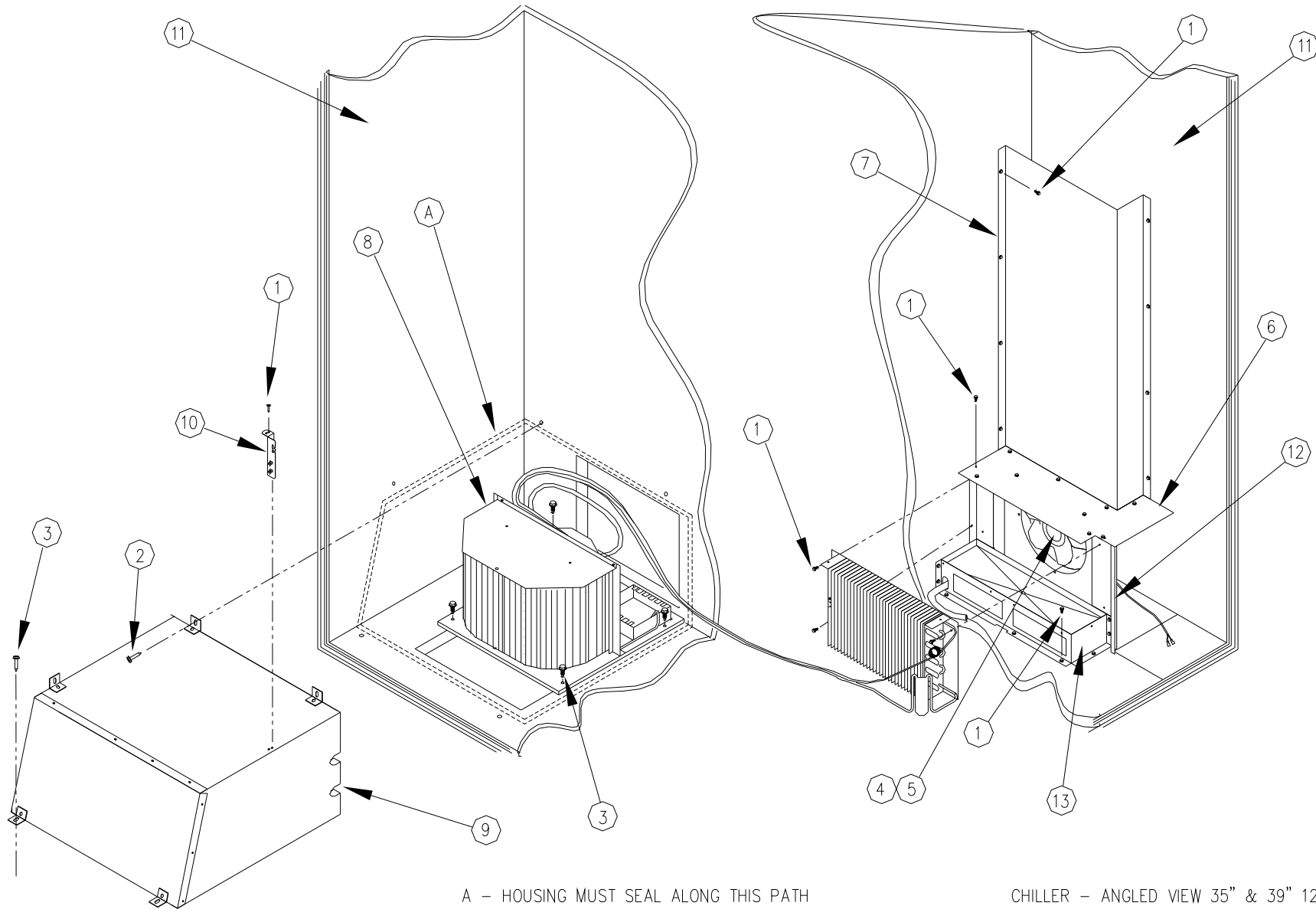
CABINET SCREENS ILLUSTRATION



CABINET SCREENS PARTS LIST

ITEM	PART NO.	PART DESCRIPTION	QTY.	NOTES
1	21862	Assembly Cabinet, Outdoor Vendor (39")	1	
2	3000	Screw, Sheet Metal, TEK 8-18	8	Quantities For One Trim
3	20275	Trim, Rear Chiller Hole 39"	1	Steel Trim Holds Screen
4	20279	Screen, Rear Chiller Hole, 4 Mesh	1	1/8 x 1/8 Welded Galvanized
5	23262	Assembly, Condenser Screen	1	Welded Galvanized Screen in Steel Frame
6	23263	Assembly, Condenser Screen Holder	1	Steel Frame Holds Condenser Screen Assembly

CHILLER PARTS ILLUSTRATION - SIDE VIEW



A - HOUSING MUST SEAL ALONG THIS PATH

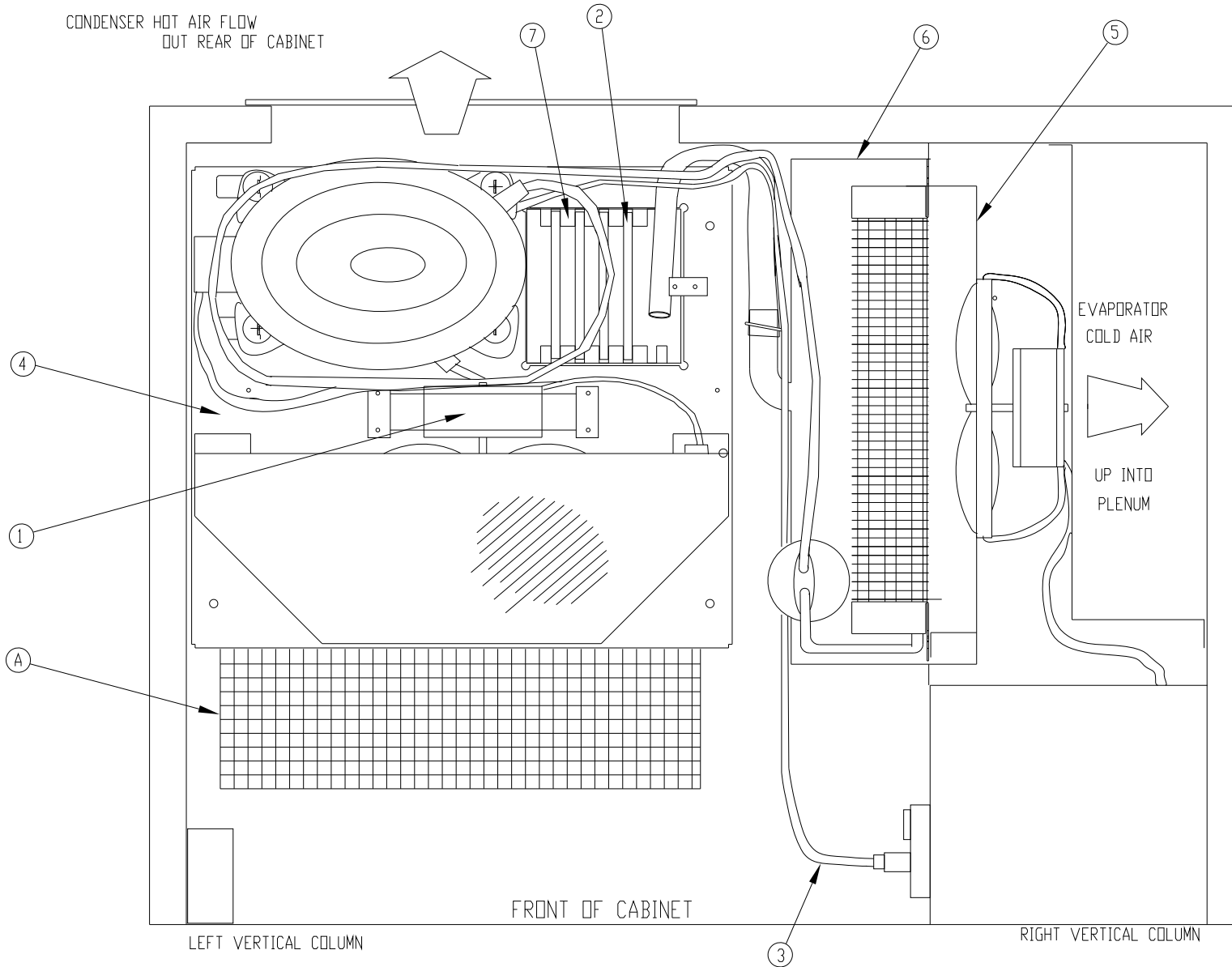
CHILLER - ANGLED VIEW 35" & 39" 12-12-13

CHILLER – SIDE VIEW PARTS LIST

ITEM	PART NO.	PART DESCRIPTION	QTY.	NOTES
1	3000	Sheet Metal Screw TEK #8-18	8	
2	3018-06	Screws, ¼ X ¾, Self Tapping, Hex Head	4	For Attaching to Tank Walls.
3	3018-08	Screws, ¼ X 1, Self Tapping, Hex Head	4	For Attaching to Tank Floor.
4	3106	Evaporator Fan/Motor Assembly, 220V, 50Hz, 1 Phase (VCB/VCF Models)	1	Note Voltage.
5	3107	Evaporator Fan/Motor Assembly, 115V, 60Hz, 1 Phase (VCB/VCF Models)	1	
6	21987	Evaporator Cover Plate	1	
7	20317	Evaporator Plenum	1	Contact AMS For Your Application.
8	22910	Assy., 1/2 Plus HP Chiller w/ Dual Row Condenser, Outdoor	1	SEE NOTE. Contact AMS For Your Application.
	22926	Assembly, 1/2, Chiller, 240V	1	
9	23219	Assembly, Chiller Housing, English (39")	1	Housing Must Seal against Cabinet as Shown. Supplied with Access Door.
	23219-01	Assembly, Chiller Housing, Spanish (39")	1	
10	21424	Bracket, Temperature Sensor	1	
11	21862	Cabinet Assembly (39")	1	Contact AMS For Your Application.
12	21990	Base, Stamped Evaporator Drain Pan	1	For Stamped Pan Assemblies.
13	21992	Assembly, Stamped Evaporator Drain Pan	1	Use with 21990, Drain Pan Base.

NOTE: Chiller assemblies are charged with refrigerant and are replaceable only as an assembly. The refrigeration system is pressurized and sealed at the factory. Puncturing or cutting any component in the system will cause refrigerant gas and liquid to be propelled out of the system, creating an immediate physical hazard. Use caution to avoid accidentally opening the refrigerant system. It should also be noted that releasing refrigerant to the atmosphere is a federal crime and is punishable by law. Any service work requiring the system to be opened must be performed by a licensed technician using certified recovery equipment. Unauthorized service to the sealed refrigerant system may void the warranty.

CHILLER PARTS ILLUSTRATION - TOP VIEW



A = BOTTOM AIR INLET SCREEN

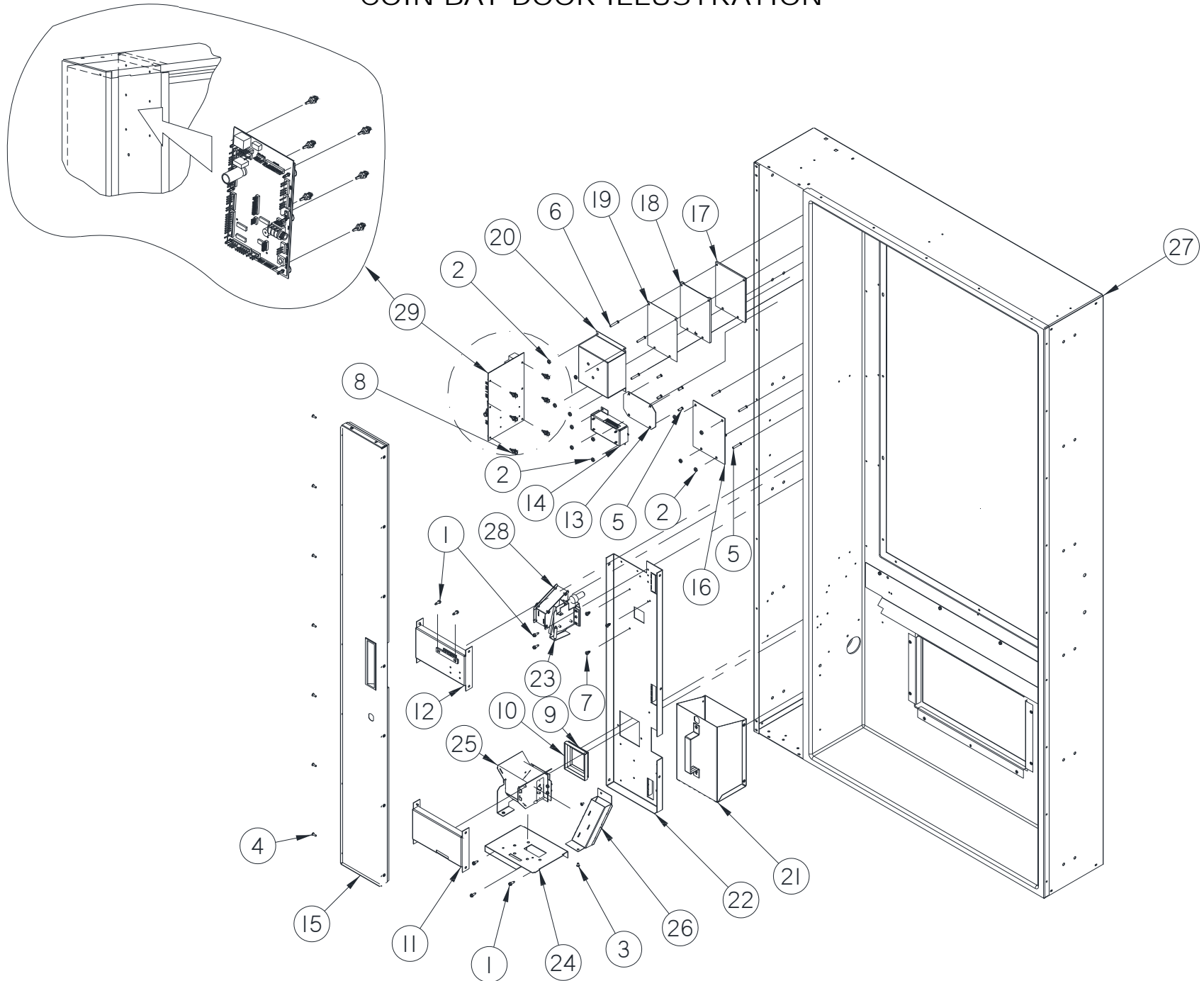
CHILLER TOP VIEW 35 & 39 12-12-13

CHILLER PARTS LIST – TOP VIEW

ITEM	PART NO.	PART DESCRIPTION	QTY.	NOTES
1	3065	Fan, Condenser Assembly, 220V, 50 Hz, 1 Phase	1	Note Voltage
	3107	Fan, Condenser Assembly, 115V, 60Hz, 1 Phase	1	
2	3093	Sponge (Condenser Drain Pan)	1	Use with 21990, Drain Pan Base
3	20144	Refrigeration Harness	1	Use with Both 115V OR 220V Systems
4	22910	Assembly, 1/2 Plus, Chiller, 115V	1	SEE NOTE. Contact AMS for Your Application.
	22926	Assembly, 1/2 Plus, Chiller, 240V		
	25902	Assembly, 1/2 HP Plus, Chiller w/Dual Row Condenser, 240v -Vendtrader		
5	21990	Base, Stamped Evaporator Drain Pan	1	For Stamped Pan Assemblies
6	22048	Condenser, Stamped Evaporator Drain Pan	1	Use with 21990, Drain Pan Base
7	24090	Assembly, Condenser Drain Pan	1	Use with 21990, Drain Pan Base

NOTE: Chiller assemblies are charged with refrigerant and are replaceable only as an assembly. The refrigeration system is pressurized and sealed at the factory. Puncturing or cutting any component in the system will cause refrigerant gas and liquid to be propelled out of the system, creating an immediate physical hazard. Use caution to avoid accidentally opening the refrigerant system. It should also be noted that releasing refrigerant to the atmosphere is a federal crime and is punishable by law. Any service work requiring the system to be opened must be performed by a licensed technician using certified recovery equipment. Unauthorized service to the sealed refrigerant system may void the warranty.

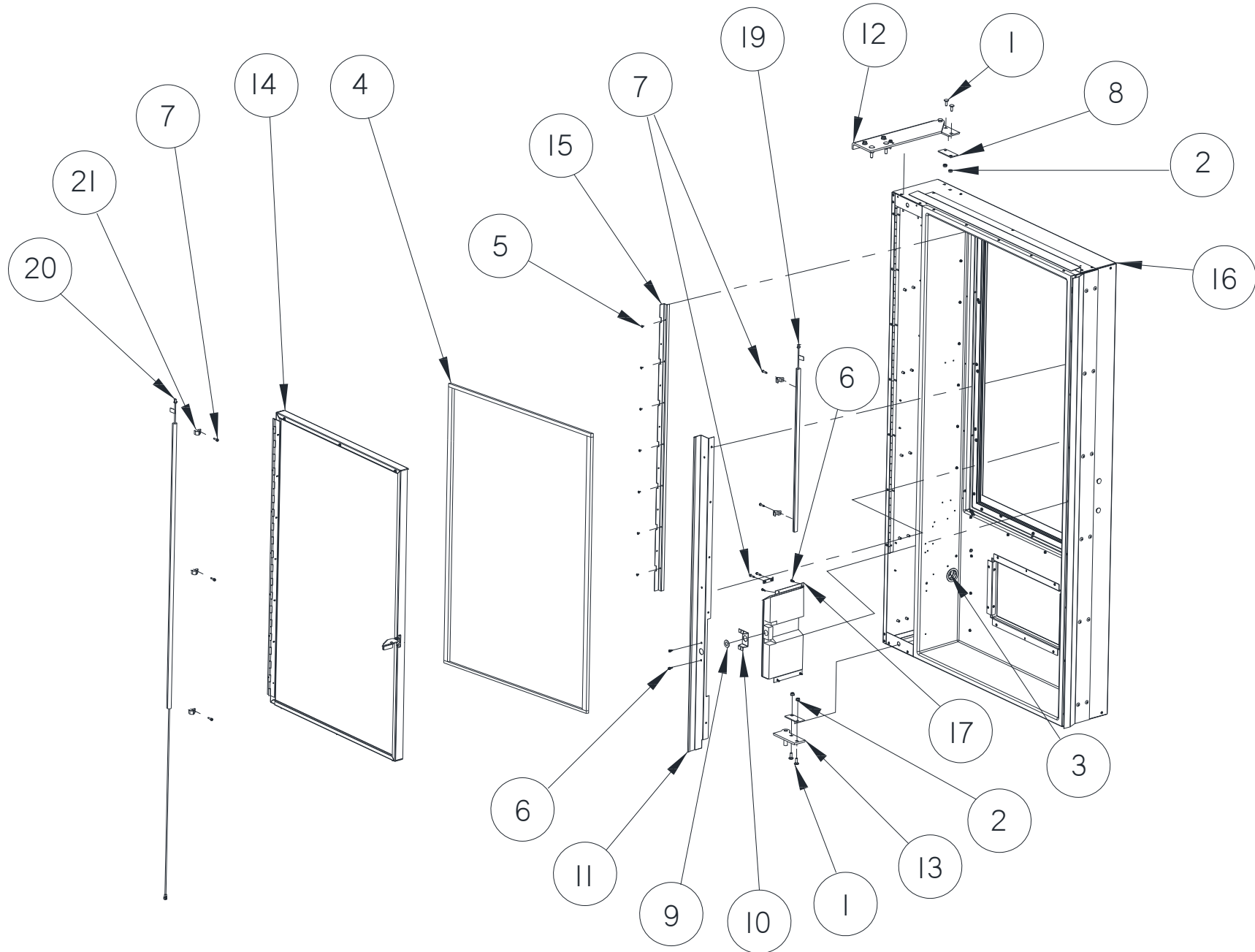
COIN BAY DOOR ILLUSTRATION



COIN BAY DOOR PARTS LIST

ITEM	PART NO.	PART DESCRIPTION	QTY.	NOTE
		Program Chip	1	Contact AMS for your application
1	3000	Screw, Sheet Metal TEK 8-18	13	
2	3006-08	Nut, Hex, Machine Screw, #8-32	14	4 per DBV Opening
3	3009-02	Rivet, Steel, 1/4" Grip Length	20	
4	3009-04	Rivet, Steel, 1/8", Black, Grip Length 1/4"	18	
5	3014-08	PEM Stud- #8-32, Flush Head, .500	6	
6	3014-16	PEM Stud- #8-32, Flush Head, 1"	8	
7	3084-03	Screw, SEMS, 8-32, 3/8"	3	
8	3291	Stand Off, Circuit Board, Blind Hole	6	For Control Board
9	20330-01	Trim, Extruded Edge, 2.45	2	
10	20330-02	Trim, Extruded Edge, 2.73	2	
11	20846	Door Stiffener, Lower, Low Temp	1	
12	21027	Assy., Door Stiffener Upper	1	
13	21783	Lens, Display, Steel Escutcheon	1	
14	21785-03	Assy, Display, Steel Escutcheon	1	
15	22004	Assy., Upper Coin Door, Low Temp	1	
16	23557	DBV Cover Plate (Powder Coated)	1	Flat Steel Plate, 1 per DBV Opening
17	24322	Insert, Place Holder, POS Display	1	
18	24323	Diffuser, Place Holder, POS Display	1	
19	24330	Card, AMS, POS Display	1	
20	24339	Assy., Light Box w/Standoffs	1	
21	24613	Assy., Coin Box, Short	1	
22	24885	Mounting Panel, Changer, Multi-use, VRM, EPOCH	1	
23	24928	Assy., Scavenger System, Steel Escutcheon, Epoch	1	
24	24961	Coin Box Bulkhead, Epoch	1	
25	24987	Assy., Coin Cup, Vandal Resistant, Epoch	1	
26	24962	Coin Chute, Lower, Epoch	1	
27	25275	Door Frame, Outdoor Vendor, EPOCH II	1	
28	25806	Assy., Coin Chute Upper, Epoch Ver.2	1	
29	26932	Assembly, Offset Control Board Kit	1	

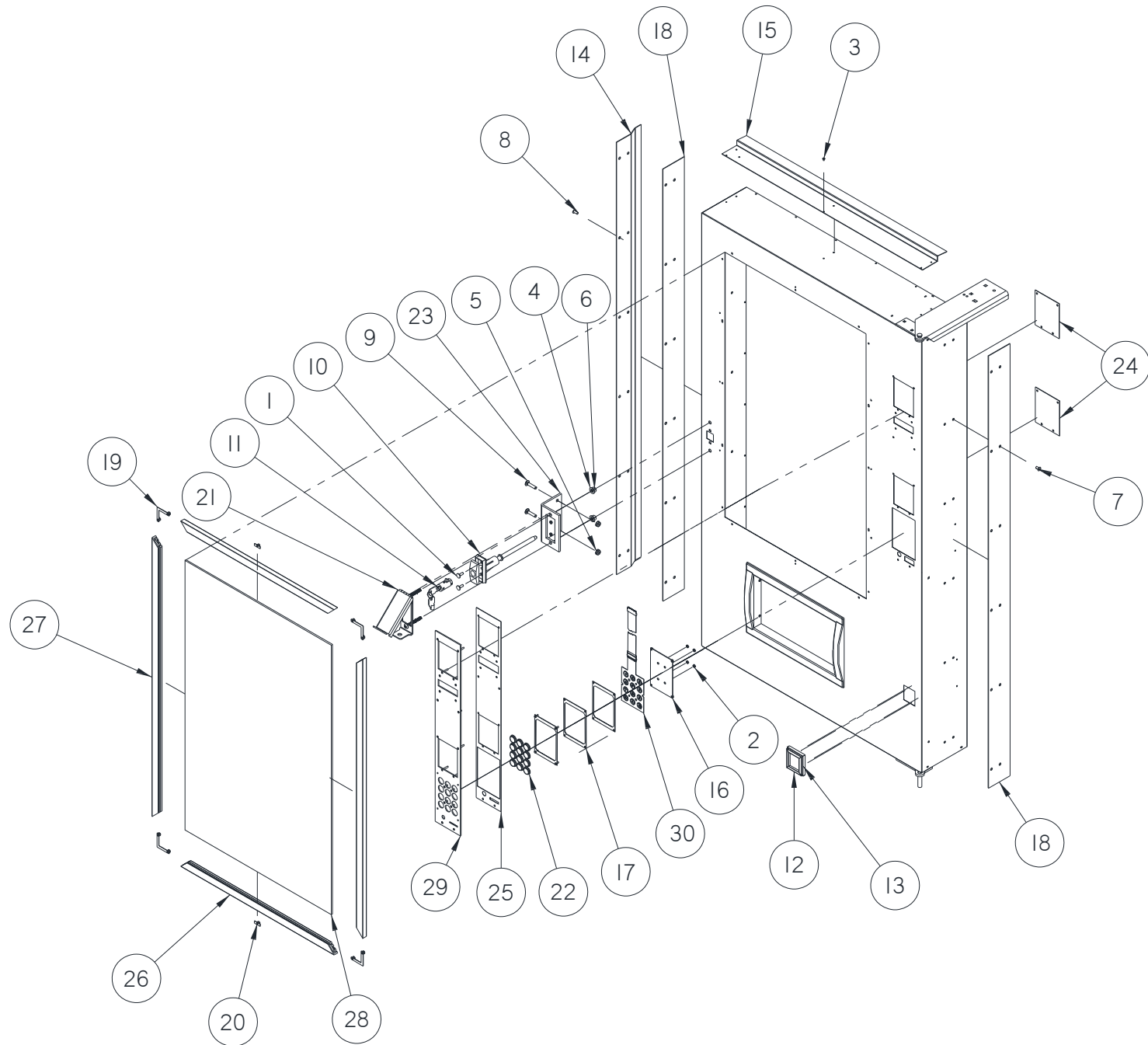
DOOR, INTERNAL HINGES, LIGHTING AND GLASS ILLUSTRATION



DOOR, INTERNAL HINGES, LIGHTING AND GLASS PARTS LIST

ITEM	PART NO.	PART DESCRIPTION	QTY.	NOTE
1	3004-06	Carriage Bolt, ¼-20, ¾"	4	For Door Hinges
2	3153-11	Nut, Hex With Lock Washer	1	For Door Hinge
3	3205-24	Bushing, Plastic Snap	2	For Pass-Through of Harnesses
4	3236	Tape, 3/16"x 1/2", PVC Foam	136"	Seals Between Glass Frame and Door
5	3317-02	Rivet, Stainless Steel, 1/8"	7	1/8" Diameter, 1/4" Grip Length
6	3342-04	Screw, Sheet Metal, TEK8-18, 1/2", Clear Zinc		
7	3342-06	Screw, Sheet Metal, TEK -8-18		
8	20206	Hinge, Washer Plate	2	
9	20852	Seal, T-Handle, Low Temp	1	
10	20857	Lock Bolt Alignment Bracket, Low Temp	1	
11	20965-01	Tray Restraint, Low Temp, Reduced Depth	1	
12	21791	Assy., Top Hinge, 1/4"	1	
13	21792	Assy., Bottom Hinge, 1/4"	1	
14	21811	Assy., Hinged Window Panel	1	Replaced as an Assembly Only
15	21812	Bracket, Hinge Support	1	
16	21863	Assembly, Tank w/ Tap Plates, Outdoor	1	
17	22068	Assy., Lock Bolt Cover, Low Temp	1	Replaced as an Assembly Only
18	22189	Keeper, Window Latch	1	Latch is on Window Assembly
19	25628	LED Lightbar, 24"	1	
20	25630	LED Lightbar, 42"		
21	25631	Mounting Clip, Lightbar	1	
	25991	Assy., Enclosure, LED-Pow. Sup. w/Ext.(Snack, L/T & VRM)	1	Not Shown

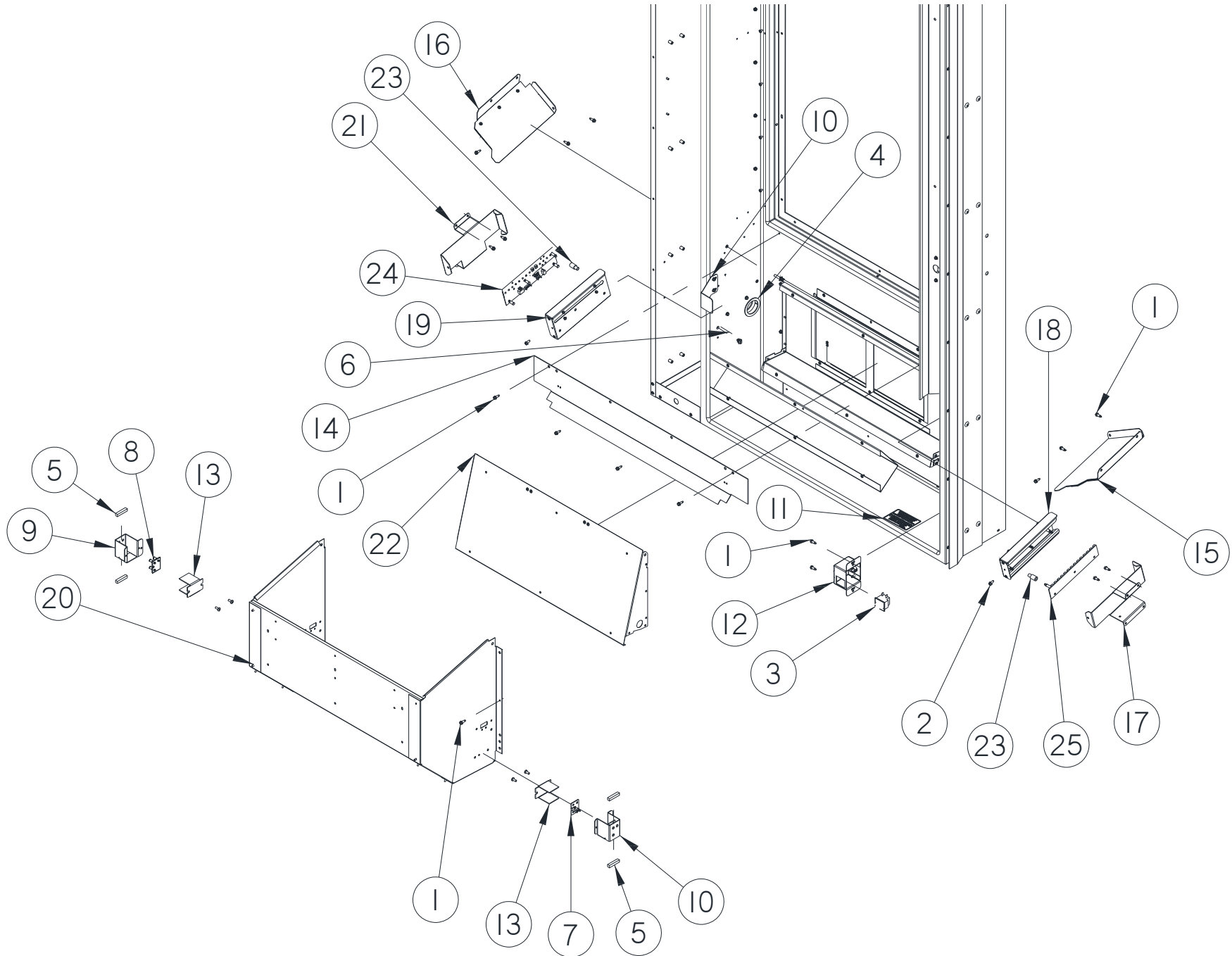
DOOR, EXTERNAL FRONT AND SIDES ILLUSTRATION



DOOR, EXTERNAL FRONT AND SIDES PARTS LIST

ITEM	PART NO.	PART DESCRIPTION	QTY.	NOTE
	25273	Assy., Door, Less Options, Outdoor Vendor, Epoch	1	
1	3004-06	Carriage Bolt, 1/4—20, 3/4"	6	
2	3006-08	Nut, Hex, Machine Screw, #8-32	6	For Attaching Escutcheon, Window Trim
3	3009-02	Rivet, Pop, Steel, 1/8 x 1/4 Grip	32	
4	3017-15	Washer, Flat Steel, SAE STD #10	2	
5	3153-12	5/16" Hex Nut	2	For Attaching Lockplate
6	3153-13	Nut, Hex w/ Lockwasher, 3/8-16	2	For Attaching Lock Cover Assembly
7	3172-02	Rivet, Aluminum, 1/4" Natural	12	For Attaching Outer Anti-Vandal Plate
8	3172-03	Rivet, Aluminum, 3/8" Natural	12	
9	3313-12	Carriage Bolt, 5/16-18	4	For Attaching Lockplate
10	20130	T-Handle Assembly	1	
11	20131-05	Lock, T-Handler Cylinder w/1002 Keys	1	
12	20330-01	Trim, Extruded Edge, 2.45	2	2.9" Long
13	20330-02	Trim, Extruded Edge, 2.73	2	2.6" Long
14	20604	Anti-Vandal Plate, Outer	1	
15	21776	Rain Cover Plate, Outer	1	
16	21780	Membrane Switch Mounting Plate, Escut., Steel	1	
17	21823	Plate, Spacer, Steel Escutcheon	3	
18	21867	Anti-Vandal Plate, Inner, Outdoor	2	
19	22088	Assy., Retainer Strip, Corner, Outdoor	4	Inserts into Trim Covers
20	22089	Assy., Retainer Strip, Single, Outdoor	2	Inserts into Short Trim
21	22103	Assy., Lock Cover Recessed T-Handle	1	
22	22177	Button, 0.90' Dia. Round, Escutcheon	12	
23	22916	Plate, Lock Cover	1	
24	23557	DBV Cover Plate (Powder Coated)	2	
25	24951	Seal, Steel Escutcheon, Epoch	2	
26	25036-01	Trim, Extruded Edge, Window Cover, 26.78"	2	
27	25036-02	Trim, Extruded Edge, Window Cover, 42.14"	2	
28	25037-01	Window Cover, Polycarbonate, Outdoor	1	
29	25079	Assy., Steel Escutcheon W/ Keypad, Epoch	1	Includes Escutcheon, Lighted Keypad and Buttons and Display Lens
30	25688	Assy., Lighted Keypad	1	
	25954	Plate, Lock Cover, R	1	Not Shown
	26008	Assy., Door, VRM, Standard w/Options, Epoch (39")	1	Not Shown

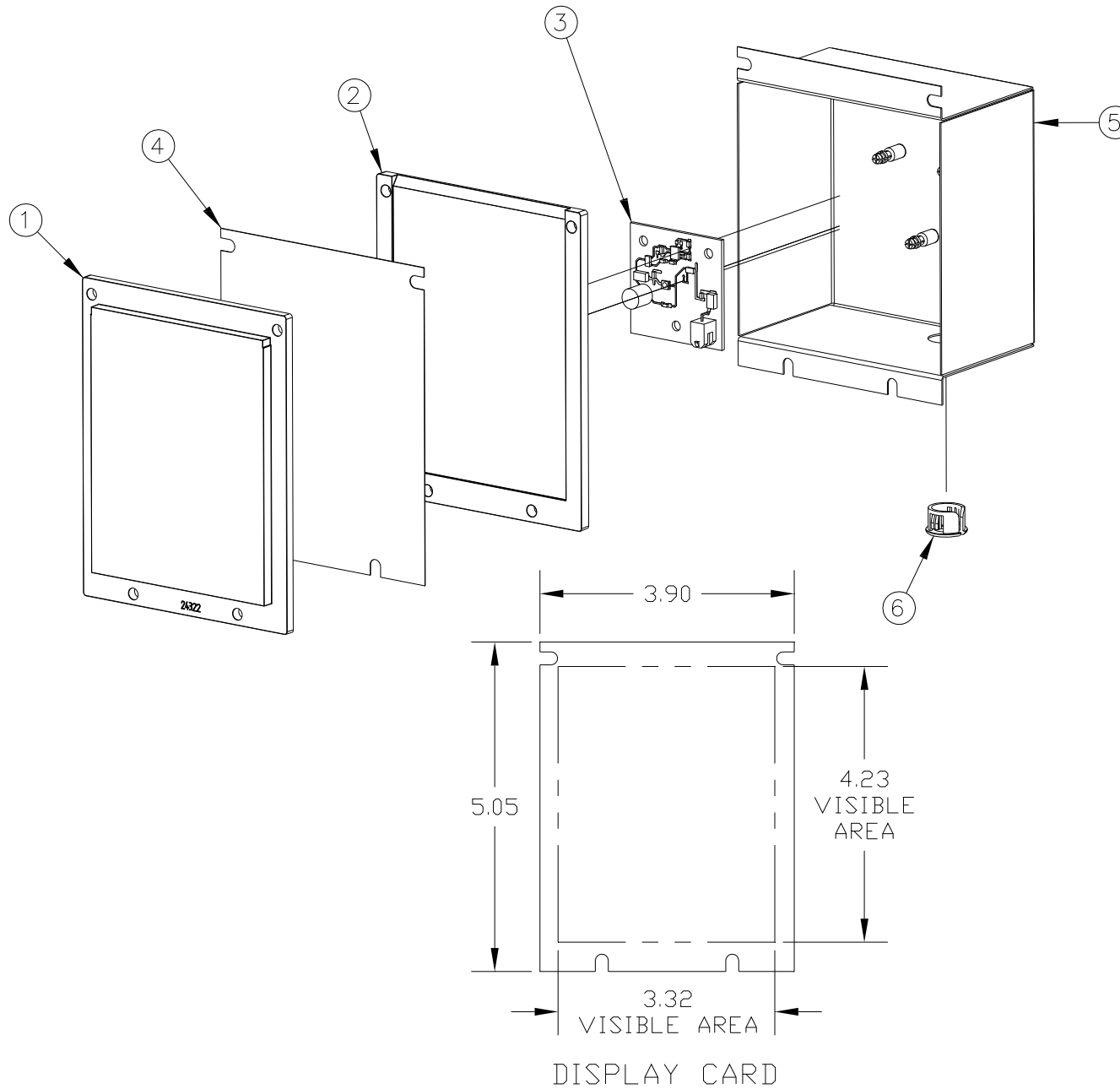
DOOR, PRODUCT HOPPER ILLUSTRATION



DOOR, PRODUCT HOPPER PARTS LIST

ITEM	PART NO.	PART DESCRIPTION	QTY.	NOTE
1	3000	Screw, Sheet Metal, Tek 8-18		
2	3001-03	Sheet Metal Screw (1/4" Hex, Blunt Tip)		
3	3036	Rocker Switch	1	
4	3205-24	Grommet	1	
5	3237	Tape, 3/8" x 1/4" Urethane Foam	4	
6	3292	Flat Tie Holder	1	
7	21385	Detector, Product Sensor	1	
8	21386	Emitter, Product Sensor	1	
9	21442	Assy., Product Sensor Emitter	1	Optional Item
10	21443	Assy., Product Sensor Detector	1	Optional Item
11	21625	Cleaning Decal	1	
12	21690	Door Switch Enclosure	1	
13	21798	Lens, Product Sensor Bracket	2	
14	21879	Deflector Panel, Hopper, Outdoor	1	
15	22218-01	Left Product Kicker w/o Flange	1	Optional Item
16	22219-01	Right Product Kicker w/o Flange	1	Optional Item
17	22126	Assy, Secondary Delivery Sensor Bracket	1	
18	22128	Assy, Secondary Delivery Sensor Cover	1	
19	22130	Assy, Primary Delivery Sensor Cover	1	
20	22202	Hopper Assembly (39")	1	
21	24970	Assy., Primary Delivery Sensor Bracket, Epoch	1	
22	22261	Assy., Vend Door, Outdoor	1	
23	26051	Sensor Extension	2	
24	26520	Primary Sensor Board	1	Add (1) Sensor Extension 26051
25	26521	Secondary Sensor Board	1	Add (1) Sensor Extension 26051

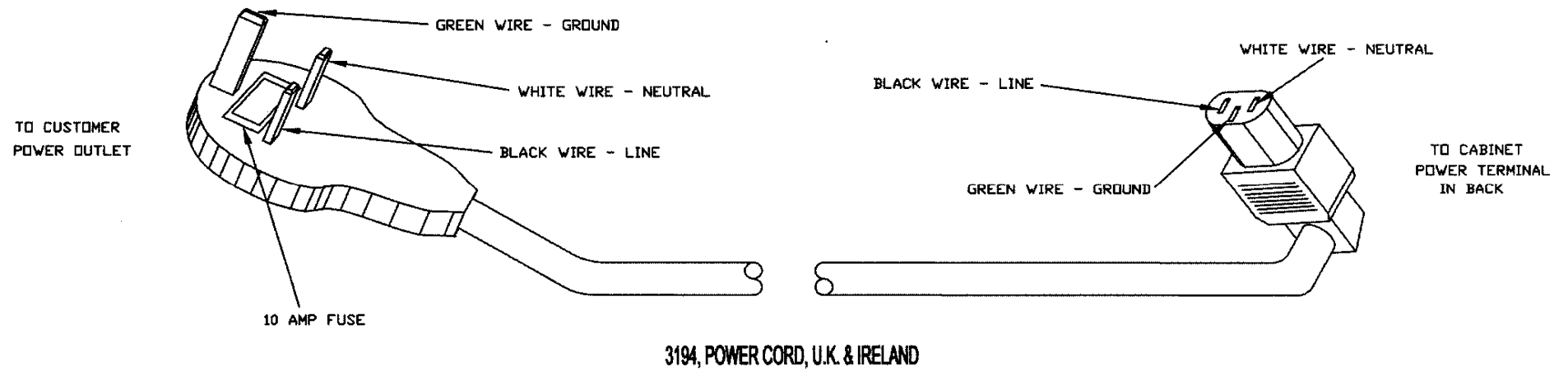
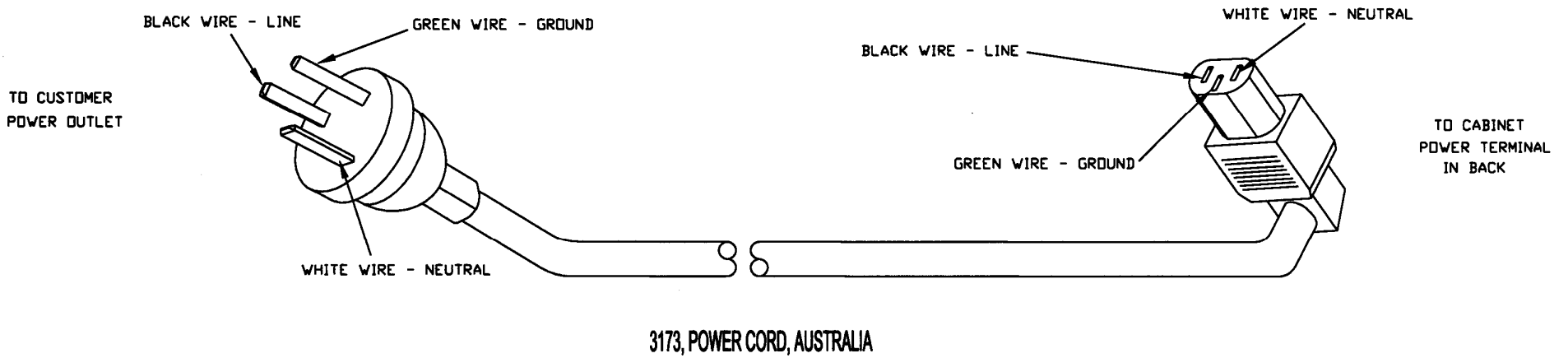
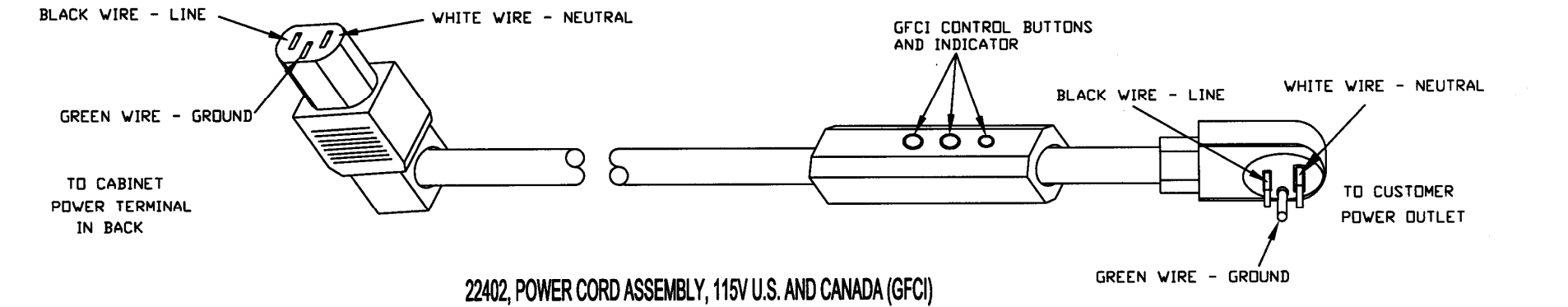
POS DISPLAY ILLUSTRATION

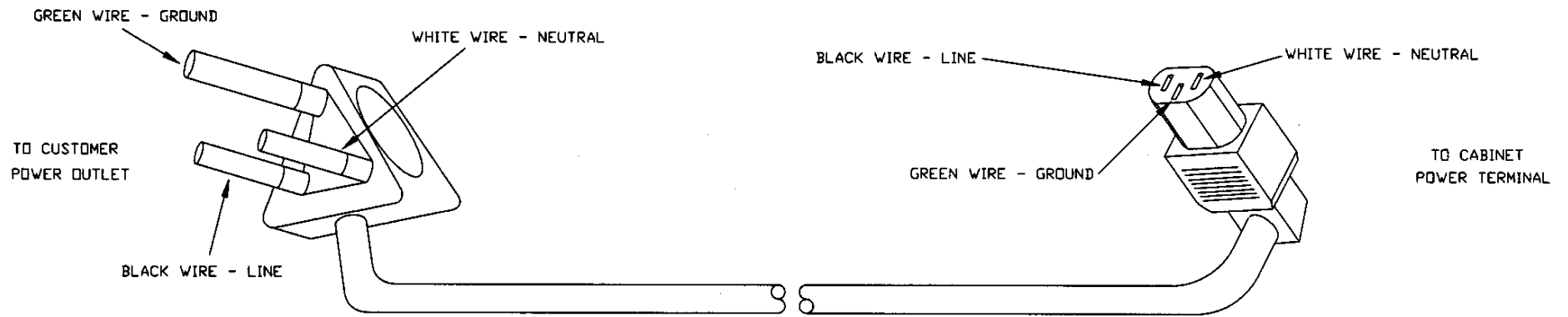


POS DISPLAY PARTS LIST

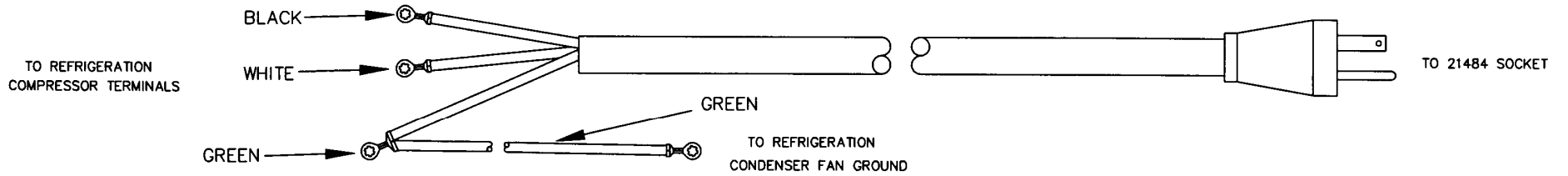
ITEM	PART NO.	PART DESCRIPTION	QTY.	NOTE
1	24322	POS Display Insert	1	
2	24323	POS Display Diffuser	1	
3	24329	LED Board	1	
4	24767	POS Display Card (AMS)	1	English
	24768	POS Display Card (IAMS)	1	Spanish
5	24339	Light Box Assembly	1	
6	3029-02	Bushing, Open/Closed	1	

ELECTRICAL HARNESS ILLUSTRATIONS

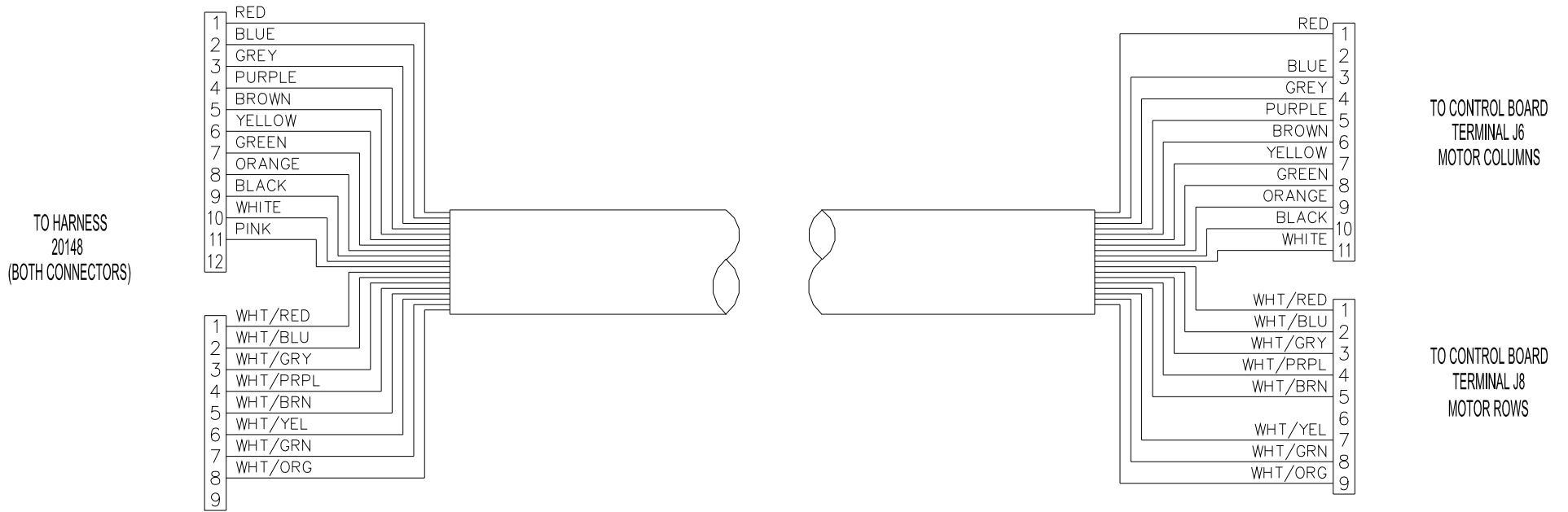




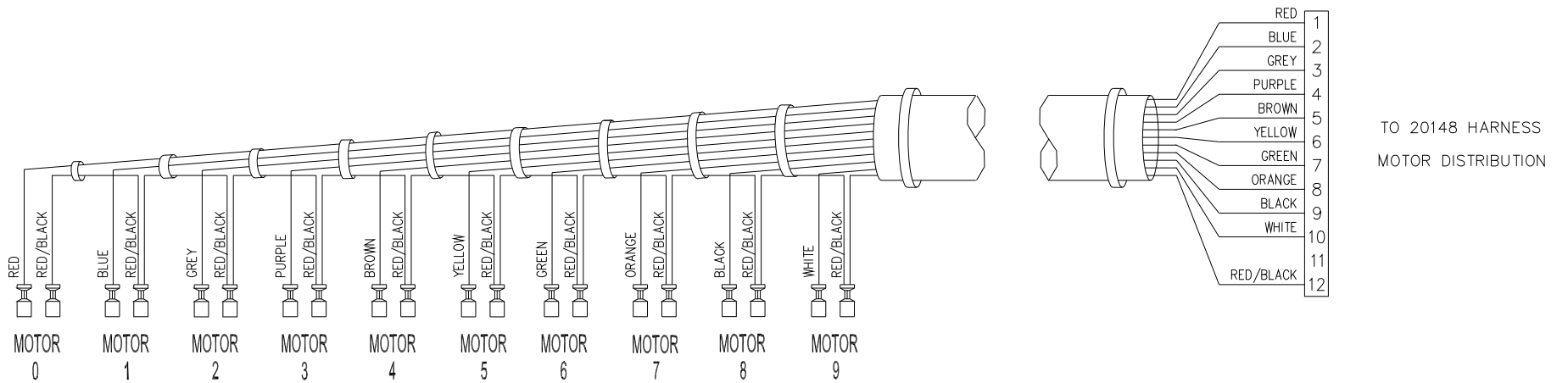
3208 POWER CORD, INDIA AND SOUTH AFRICA



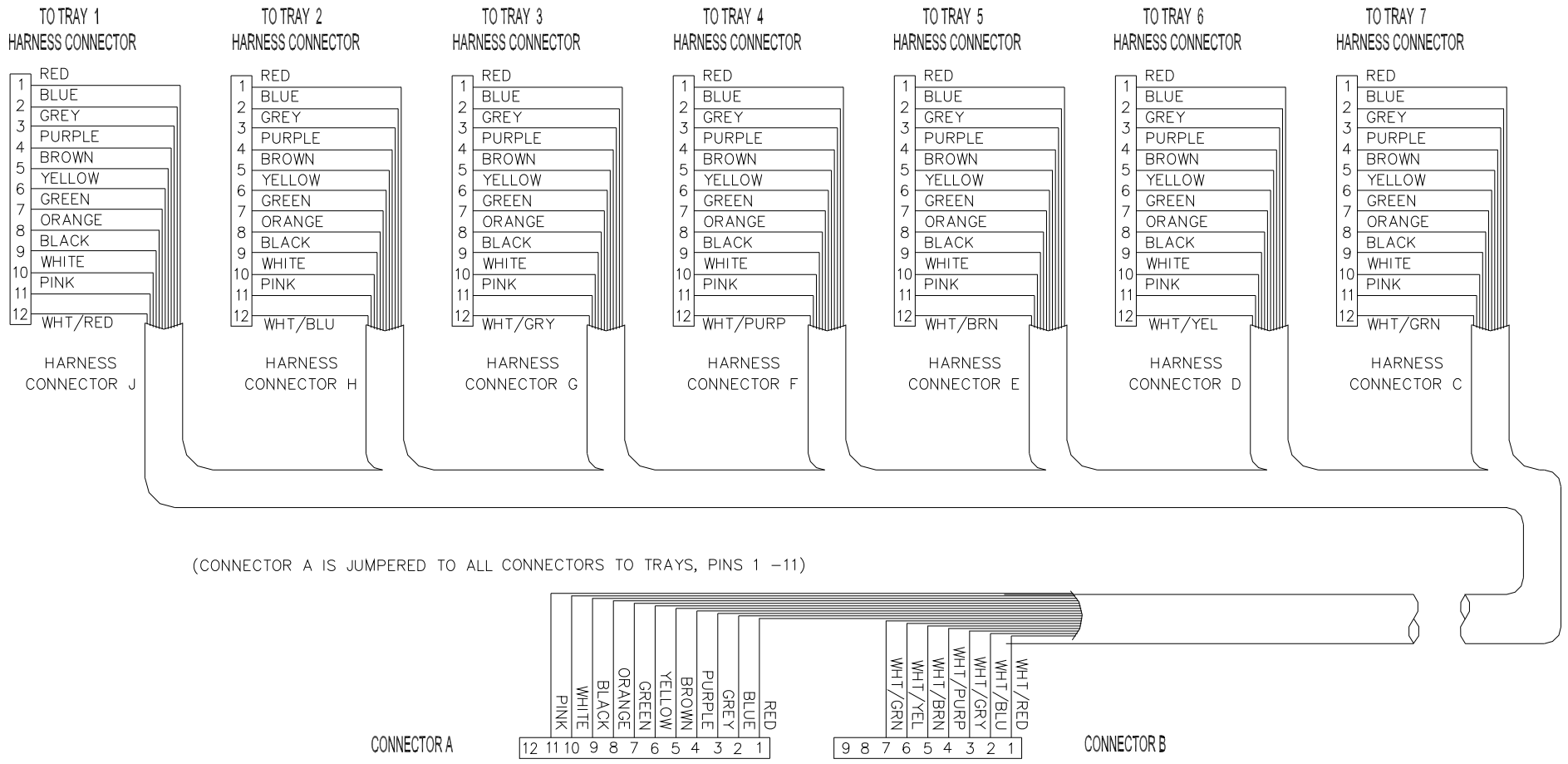
20144, HARNESS, REFRIGERATION



20146, HARNESS, DOOR MOTORS

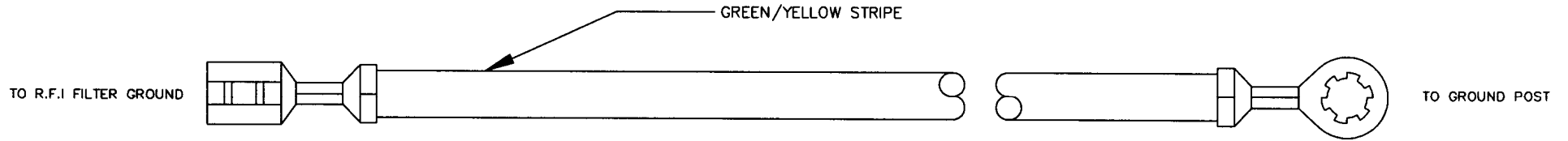


20147, HARNESS, TRAY, 10 COLUMN

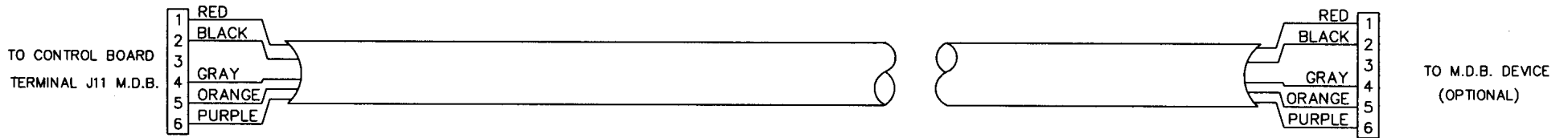


CONNECTOR A AND B TO 20146 HARNESS, DOOR MOTOR

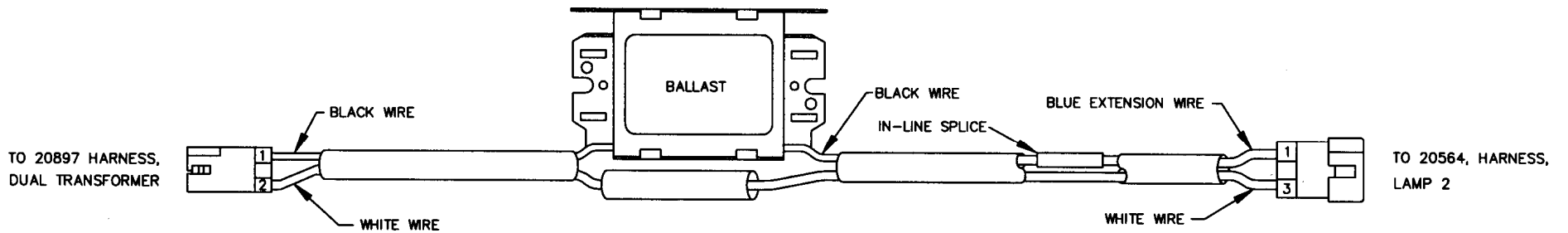
20148, HARNESS, MOTOR DISTRIBUTION



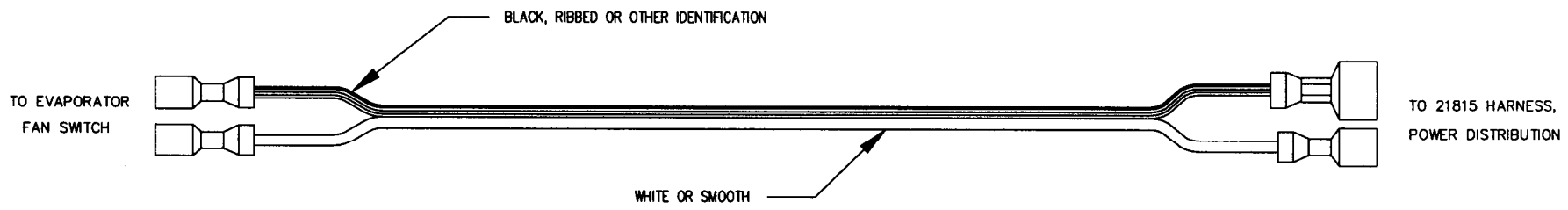
20154, HARNESS, R.F.I. FILTER GROUND



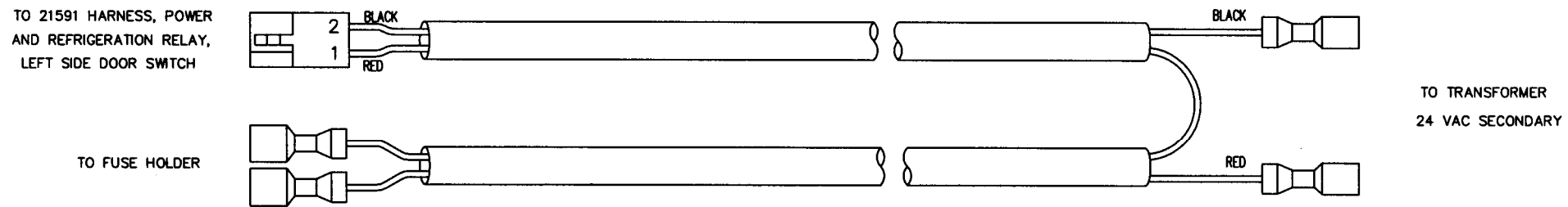
20158, HARNESS, MULTI-DROP BUS



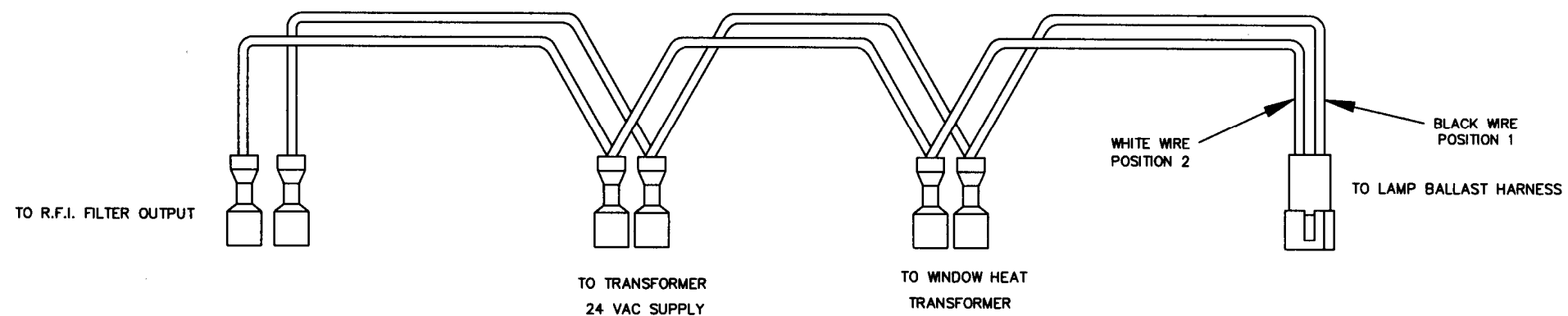
20563, HARNESS, BALLAST ASSEMBLY 2



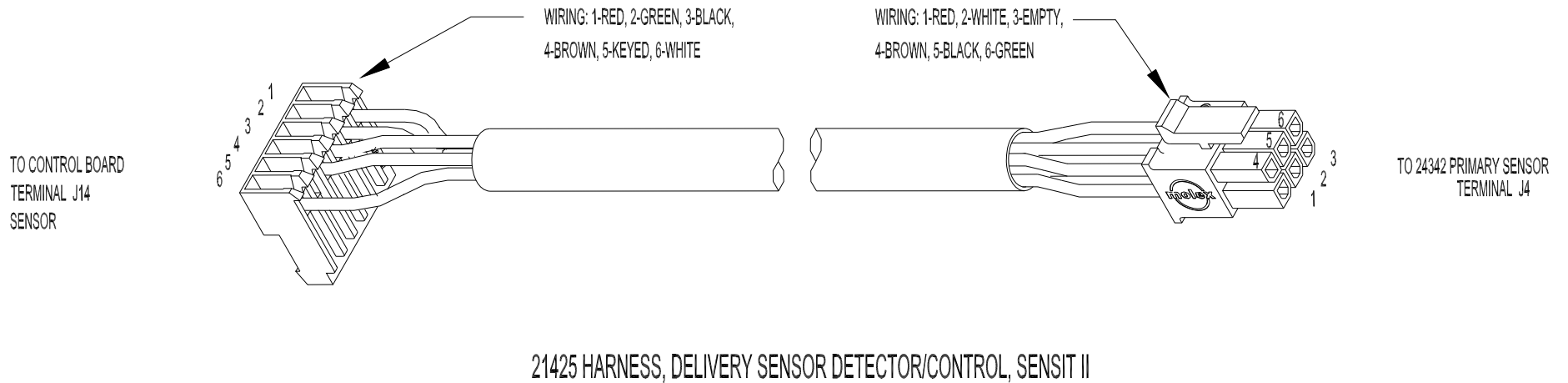
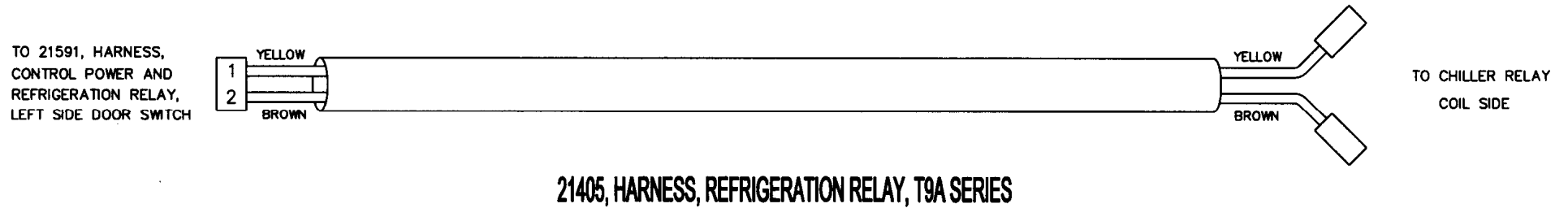
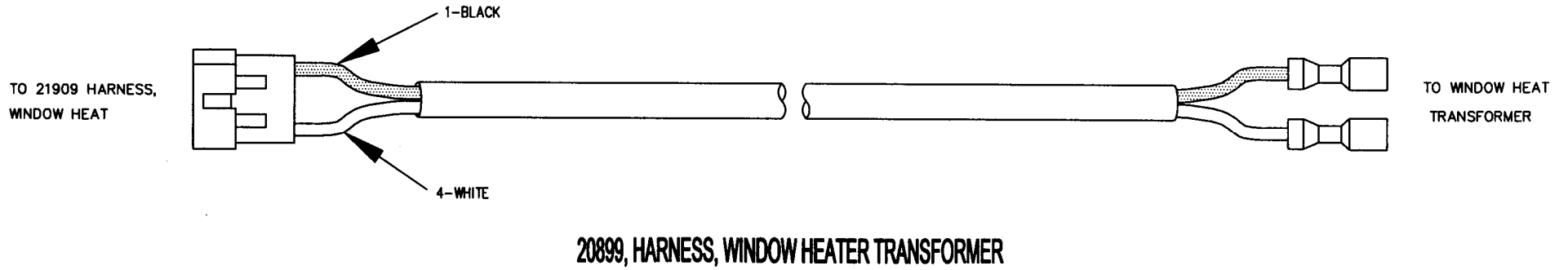
20698, HARNESS, EVAPORATOR FAN SWITCH

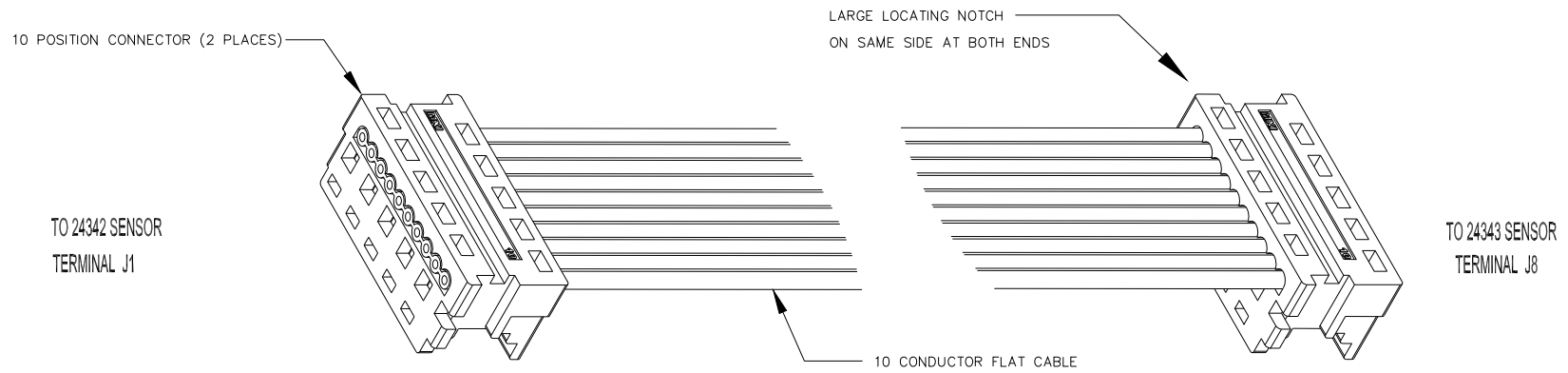


20701, HARNESS, TRANSFORMER AND FUSE

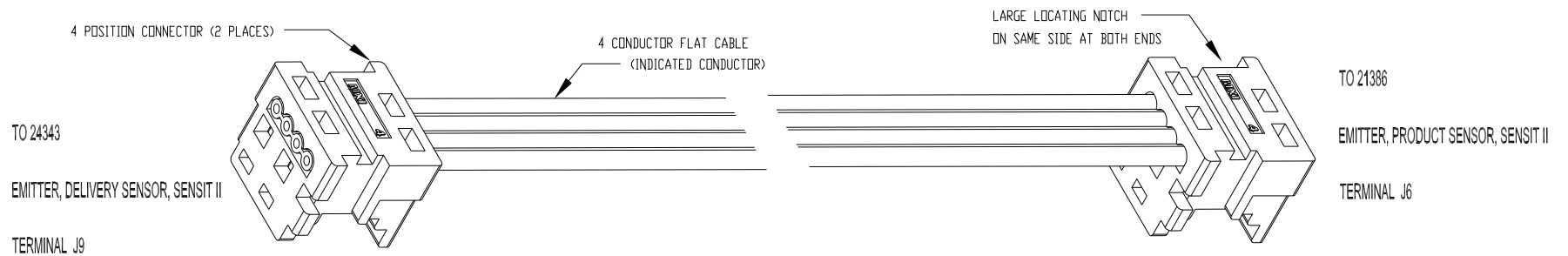


20897, HARNESS, DUAL TRANSFORMER

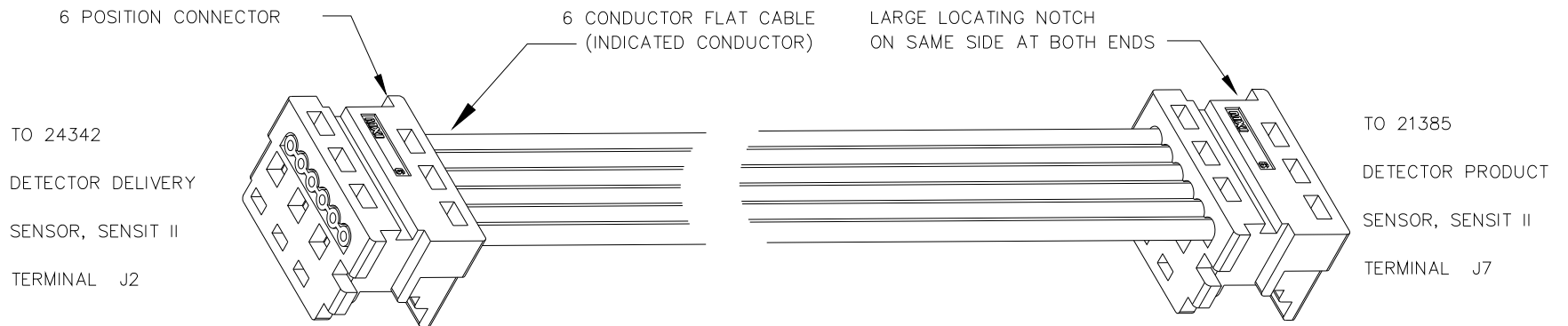




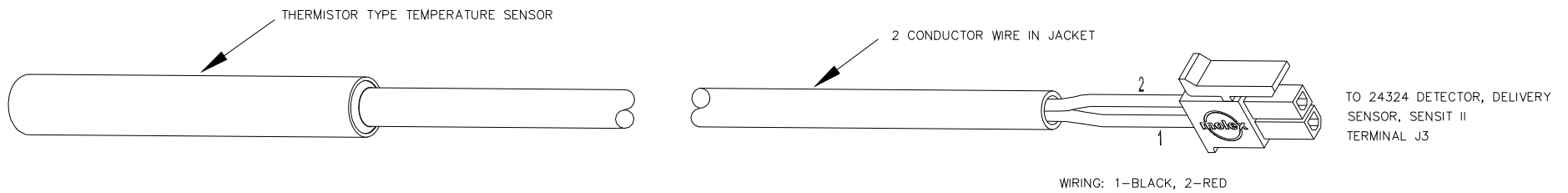
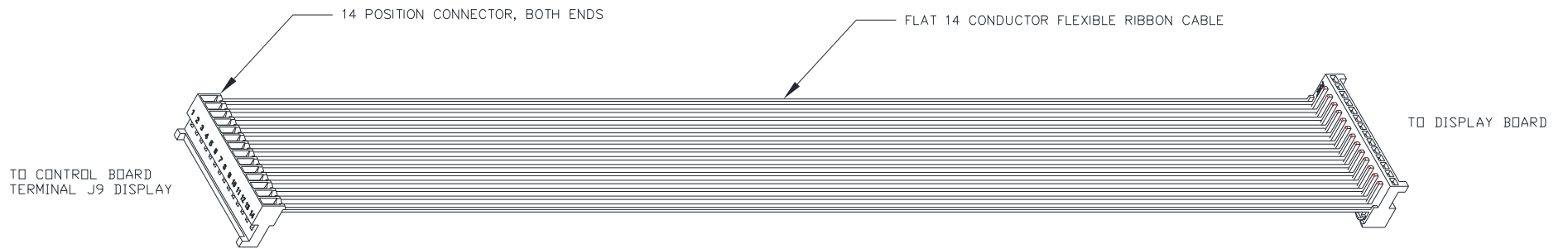
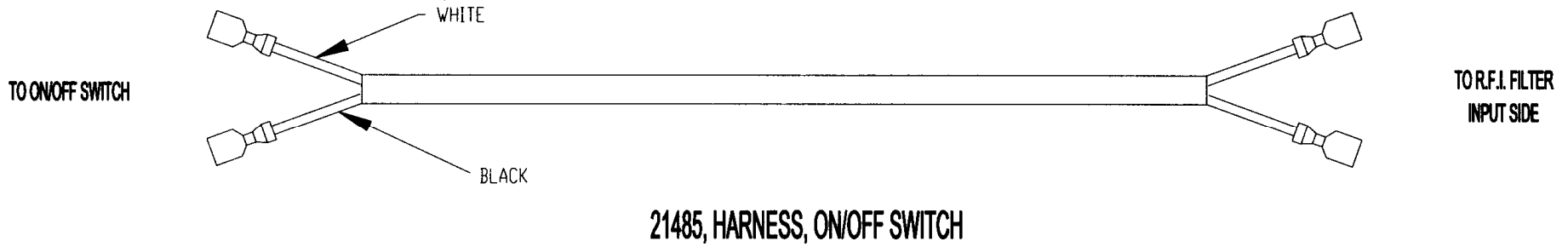
21426 HARNESS, DELIVERY SENSOR DETECTOR/EMITTER, SENSIT II

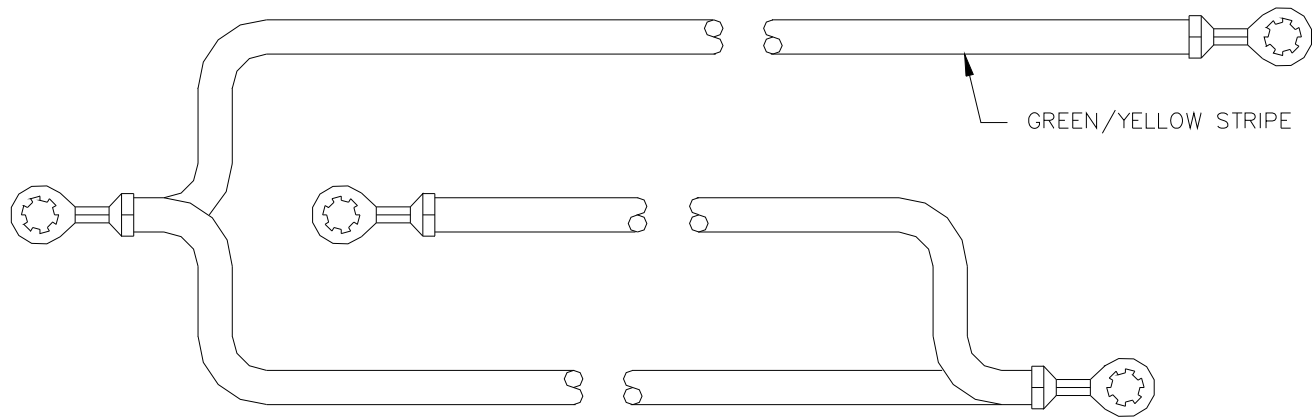


21427 HARNESS, PRODUCT SENSOR EMITTER, SENSIT II

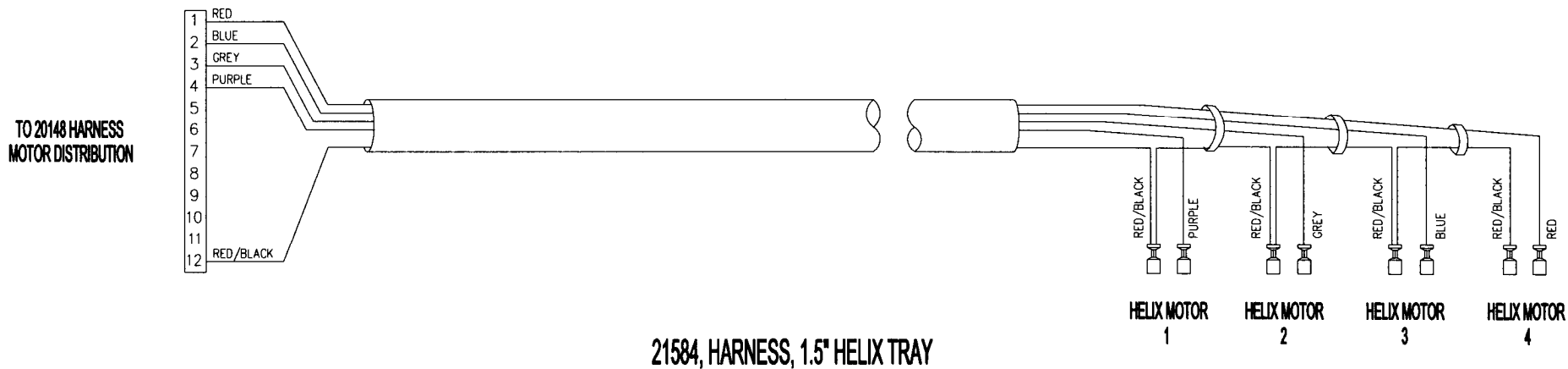


21428, HARNESS, PRODUCT SENSOR DETECTOR, SENSIT II (OPTIONAL)

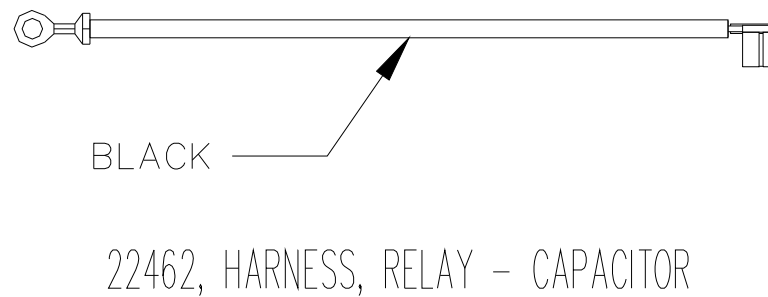
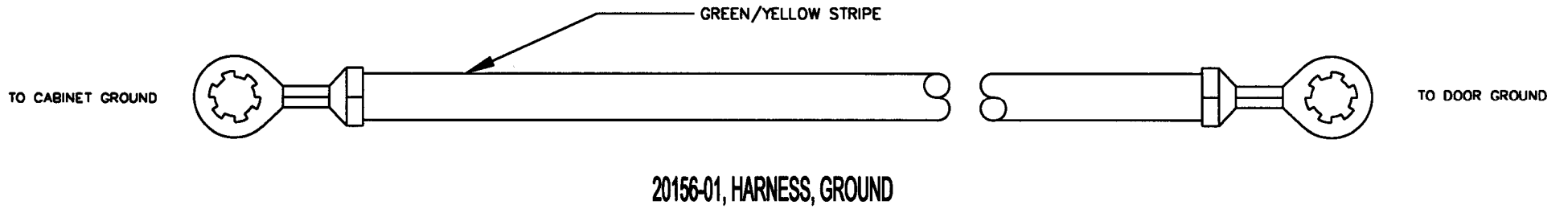
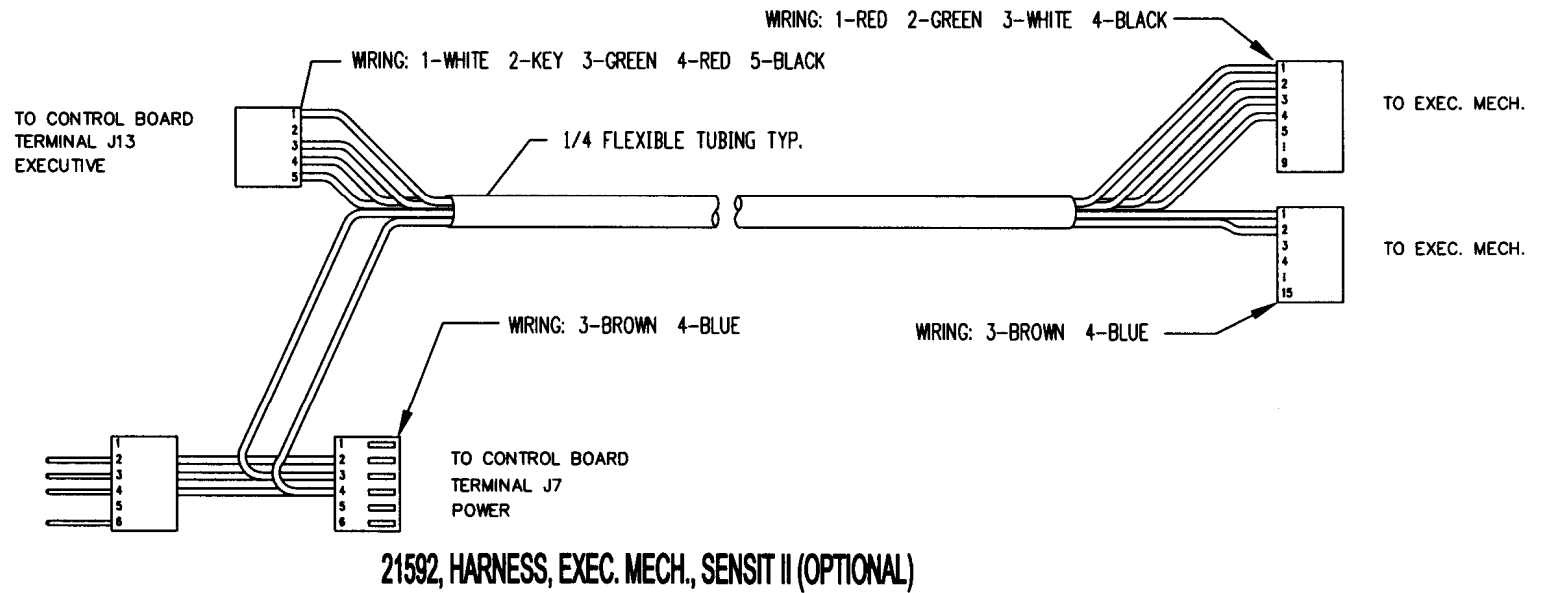


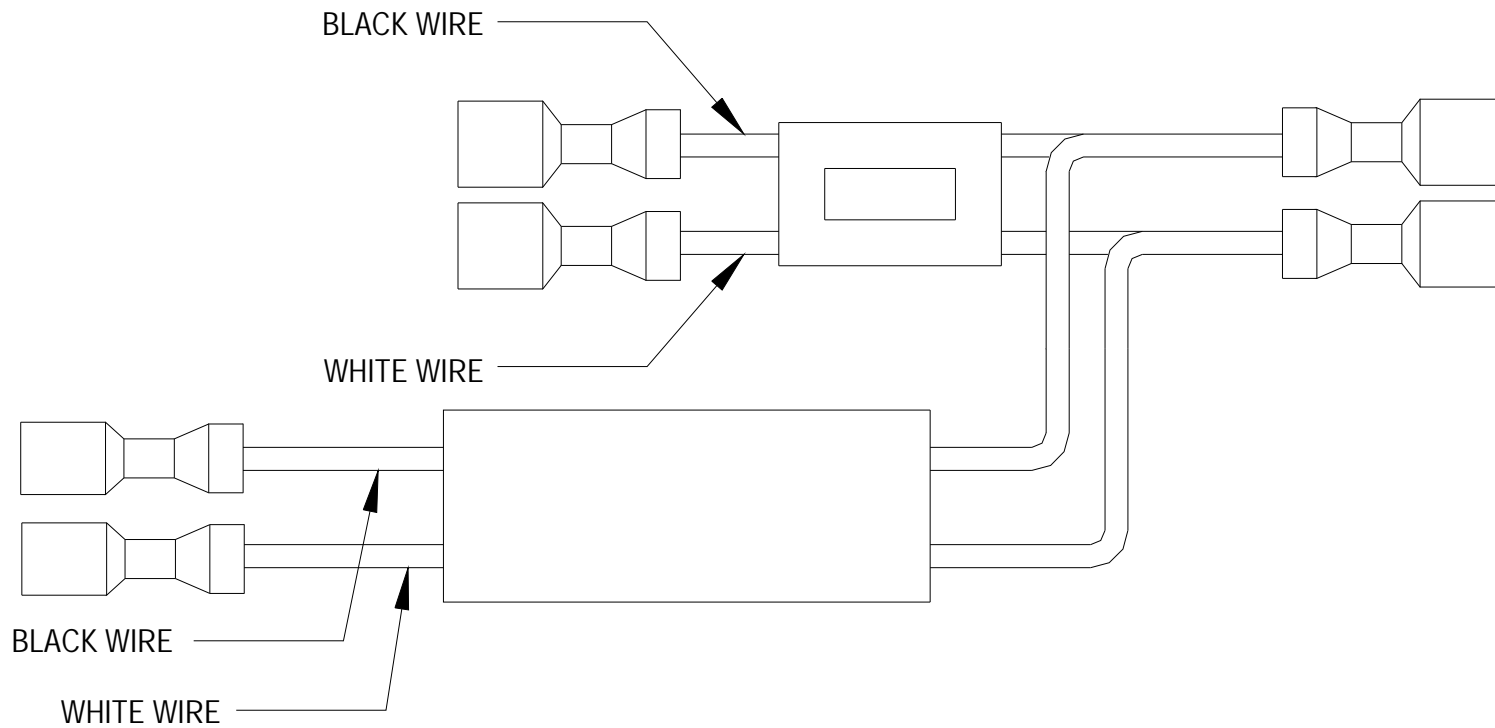


21978 HARNESS, GROUND, EMITTER/DETECTOR



21584, HARNESS, 1.5' HELIX TRAY

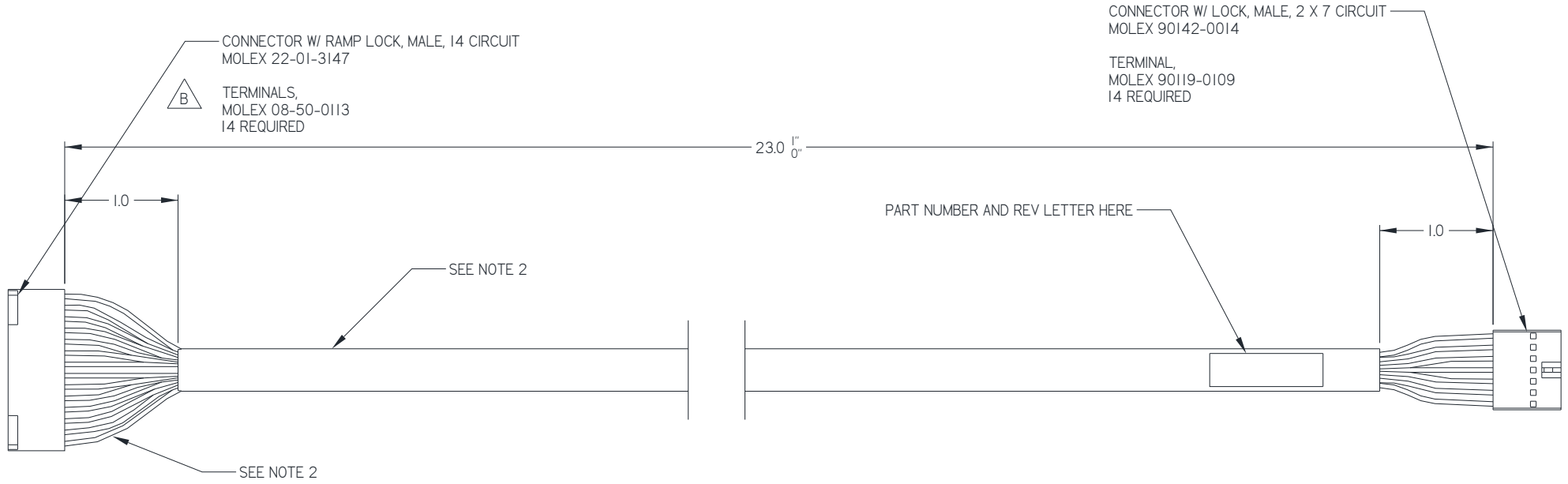




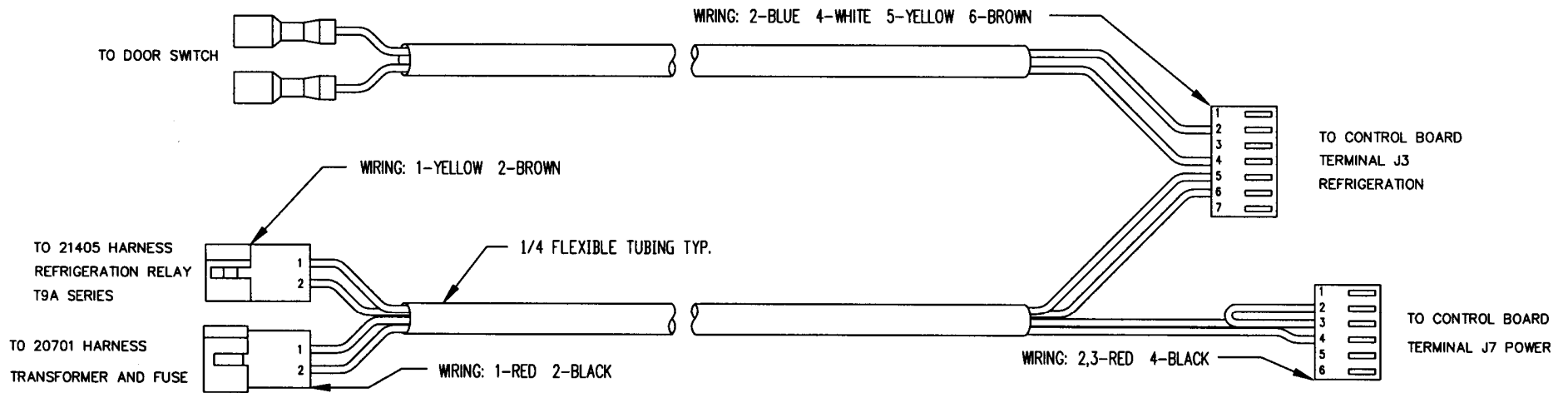
23625, HARNESS, DUAL TRANSFORMER, NO BALLAST



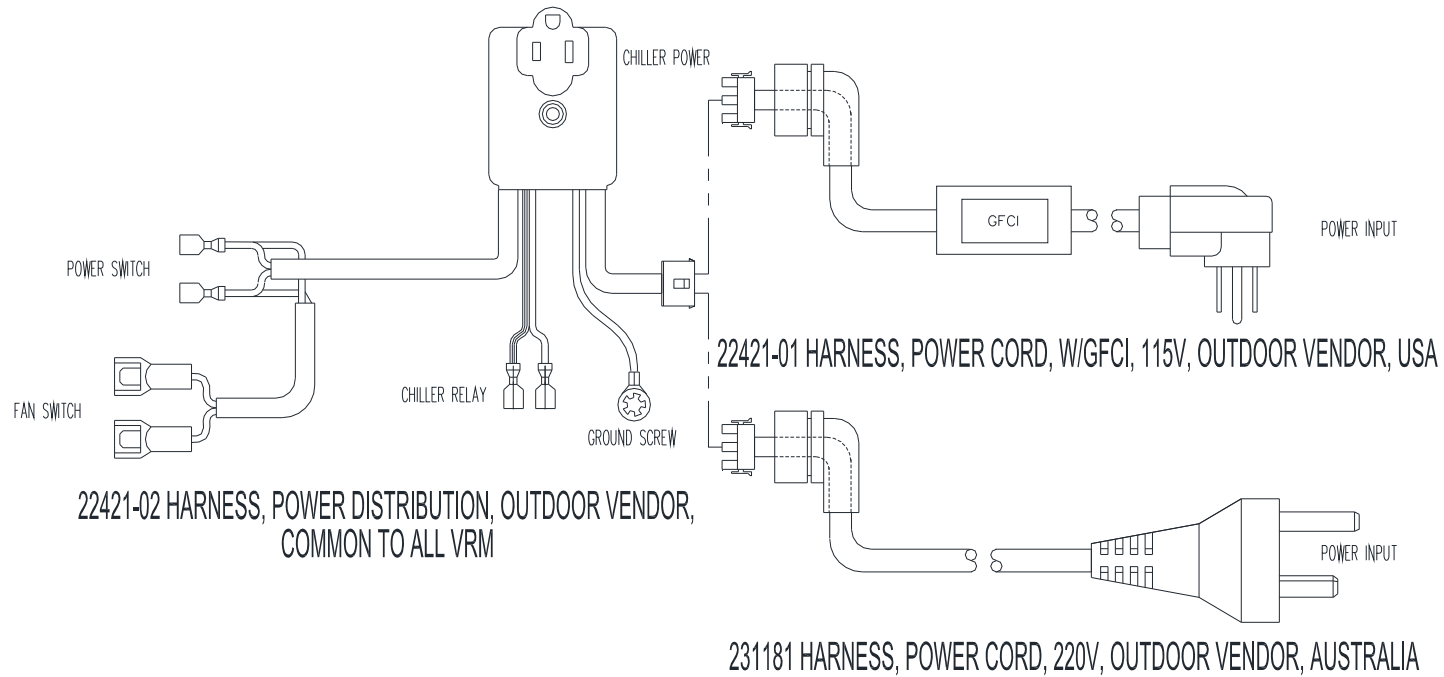
24338 HARNESS, LIGHTED POS POWER



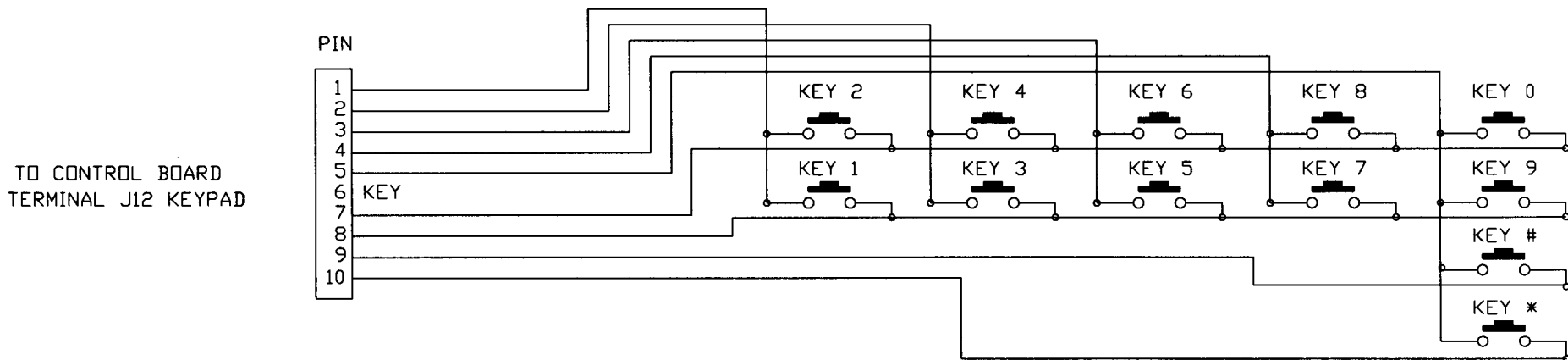
24692 HARNESS, 2-LINE GRAPHIC DISPLAY



21591, HARNESS, CONTROL POWER AND REFRIGERATION RELAY, LEFT SIDE DOOR SWITCH, SENSIT II



21815 HARNESS, POWER DISTRIBUTION, OUTDOOR VENDOR



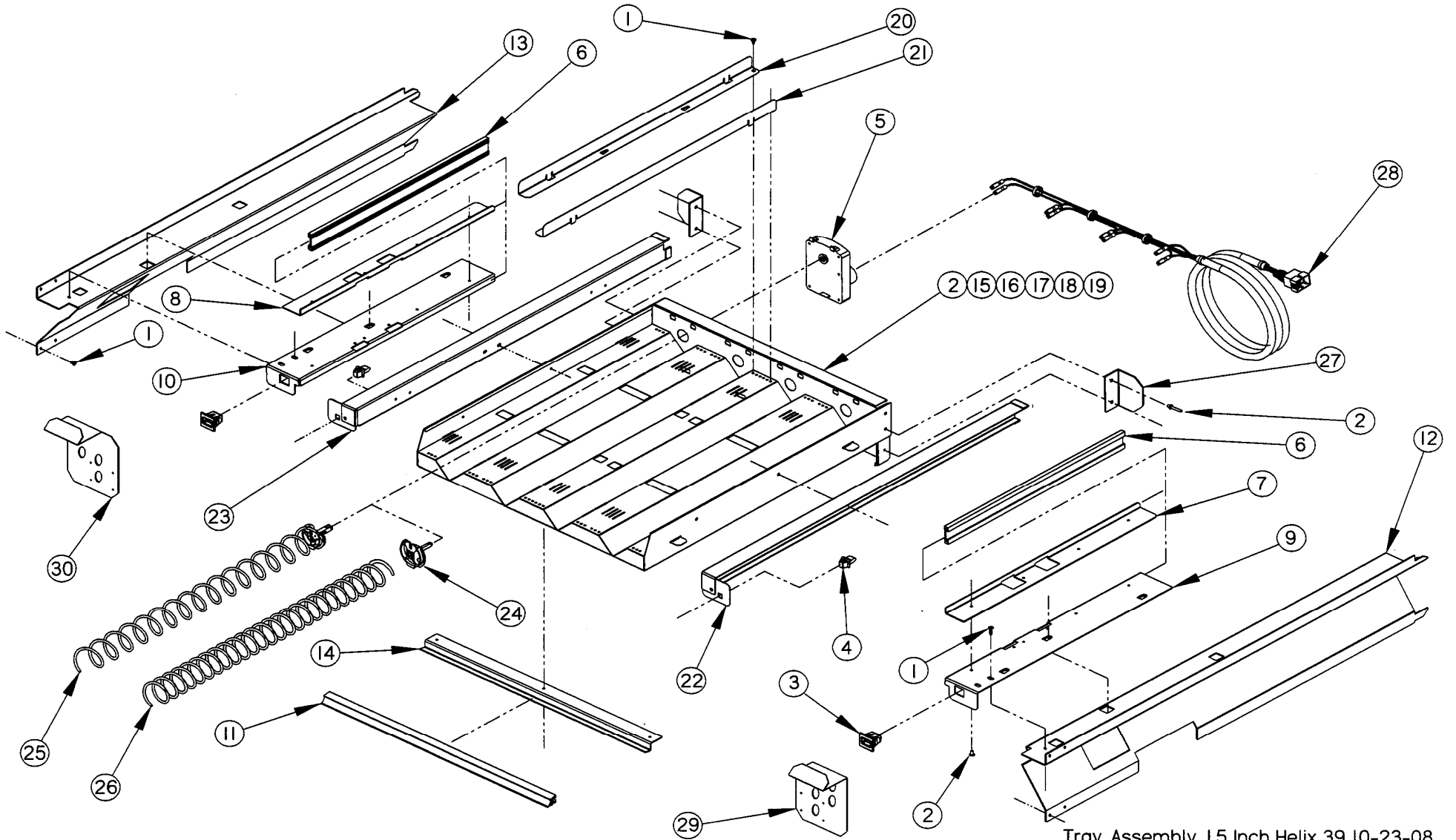
21871, KEYPAD, MEMBRANE, 3 X 4
(HARNESS IS INTEGRAL WITH SWITCH)

ELECTRICAL HARNESS PARTS LIST

PART NO.	PART DESCRIPTION	NOTES
22402	Power Cord Assembly, 115V U.S. & Canada	
3173	Power Cord, Australia	
3194	Power Cord, U.K. & Ireland	
3208	Power Cord, India & South Africa	
20144	Refrigeration Harness	
20146	Door Motors Harness	
20147	10 Column Tray Harness	
20148	Motor Distribution Harness	
20154	RFI Filter Ground	
20158	Multi-Drop Buss Harness	
20563	Ballast Assembly	Optional Item
20698	Evaporator Fan Harness	
20701	Transformer and Fuse Harness	
20897	Dual Transformer Harness	
20899	Window Heater Transformer Harness	
21405	Refrigeration Relay Harness	
21425	Delivery Sensor Harness	
21426	Delivery Sensor Detector/Emitter Harness	
21427	Product Sensor Emitter Harness	
21428	Product Sensor Detector	Optional Item
21815	Harness, Power Distribution, Outdoor Vendor	
21871	Keypad, Membrane, 3 x 4	Harness is integral with switch
21978	Harness, Ground, Emitter/Detector	
24015-01	Display Harness	
21468	Temperature Sensor	
21485	On/Off Switch Harness	
21584	1.5" Helix Tray Harness	
21591	Control Power and Refrigeration Harness	
21592	Harness, Exec. Mech., Sensit II	Optional Item
20156-01	Ground Harness	
23625	Dual Transformer, No Ballast Harness	
22462	Relay, Capacitor Harness	
24338	Lighted POS Power Harness	
24692	Harness, 2-Line Graphic Display	

THIS PAGE INTENTIONALLY LEFT BLANK

1.5" HELIX TRAY ILLUSTRATION



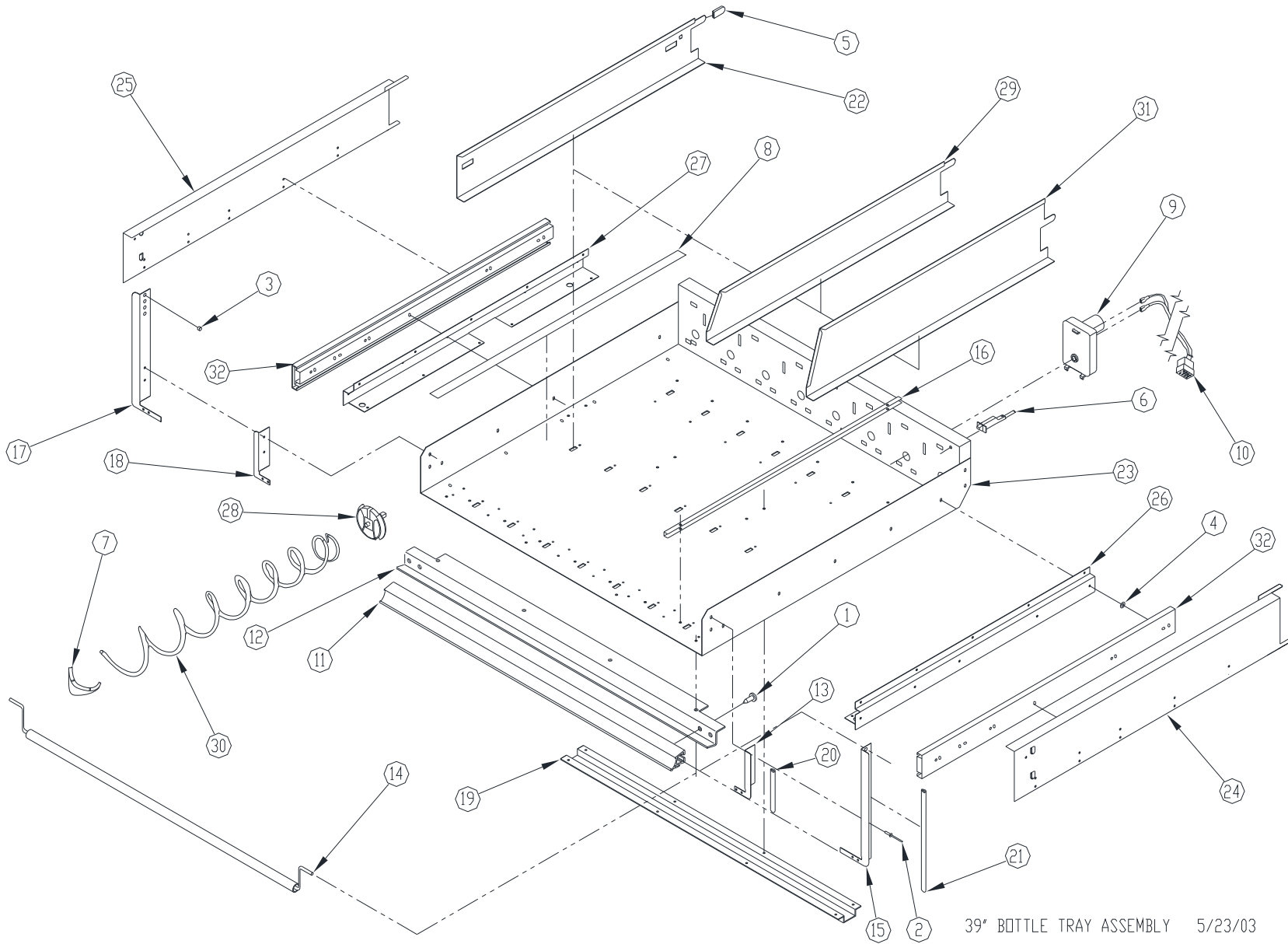
Tray, Assembly, 1.5 Inch Helix 39 10-23-08

1.5" HELIX TRAY ASSEMBLY PARTS LIST

ITEM NO	PART NO.	PART NAME	QTY	NOTES
1	3000	Screw, TEK 8-18	18	
2	3009-02	Rivet, Pop, Steel, 1/8	26	
3	3246	Latch, Nylon, Gum and Mint	2	
4	3247	Strike, Nylon, Gum and Mint	2	
5	23007	Motor, w/Home Circuit	4	
6	20236	Extrusion, Gum and Mint Rail	2	
7	20237	Extrusion Mount, Upper (Gum and Mint)(Right Side)	1	
8	20237-01	Extrusion Mount, Upper (Gum and Mint)(Left Side)	1	
9	20238	Extrusion Mount, Lower (Gum and Mint)(Right Side)	1	
10	20238-01	Extrusion Mount, Lower (Gum and Mint)(Left Side)	1	
11	20465-04	Extrusion, Price Marker, Reduced Height	1	
12	20973	Rail, Gum and Mint, Reduced Depth (39")(Right Side)	1	Rails To Fit Tray To 39" Cabinet
13	20973-01	Rail, Gum and Mint, Reduced Depth (39")(Left Side)	1	
14	21196	Doubler, Tray 1.5" Helix Tray	1	Parts Are Factory Assembled As A Unit
15	21197	Tray Body, 1.5" Helix Tray	1	
16	21199	Tray Back, 1.5" Helix Tray	1	
17	21200	Tray Inner Side, 1.5" Helix Tray	2	
18	21201	Tray Inner Section, 1.5" Helix Tray	2	
19	21202	Tray Inner Mid Section, 1.5" Helix Tray	1	
20	21203	Divider, Tray, 1.5" Helix Tray, RH	4	
21	21203-01	Divider, Tray, 1.5" Helix Tray, LH	4	
22	21204	Tray Slide Channel, 1.5" Helix Tray, RH	1	
23	21204-01	Tray Slide Channel, 1.5" Helix Tray, LH	1	
24	21206	Helix Adapter, 1.5" Helix Tray	4	
25	21207-15	Helix, 1.5" Tray, Counterclockwise, Black	2	Tray is Equipped With Two Of Each
26	21207-25	Helix, 1.5" Tray, Counterclockwise, Black	2	
27	21523	Bracket, Stop, 1.5" Helix Tray	2	
28	21584	Harness, 1.5" Helix Tray	1	
29	22387	Deflector Plate, 1.5" Helix Tray, 1-1/2 CF. Hopper (39")	1	RH, Mount On Hopper For 1.5 Tray Only
30	22387-01	Deflector Plate, 1.5" Helix Tray, 1-1/2 CF. Hopper (39")	1	LH, Mount On Hopper For 1.5 Tray Only

General Note: The 1.5 Helix Tray has replaced the 20668 Gum and Mint Tray.

BOTTLE TRAY ILLUSTRATION

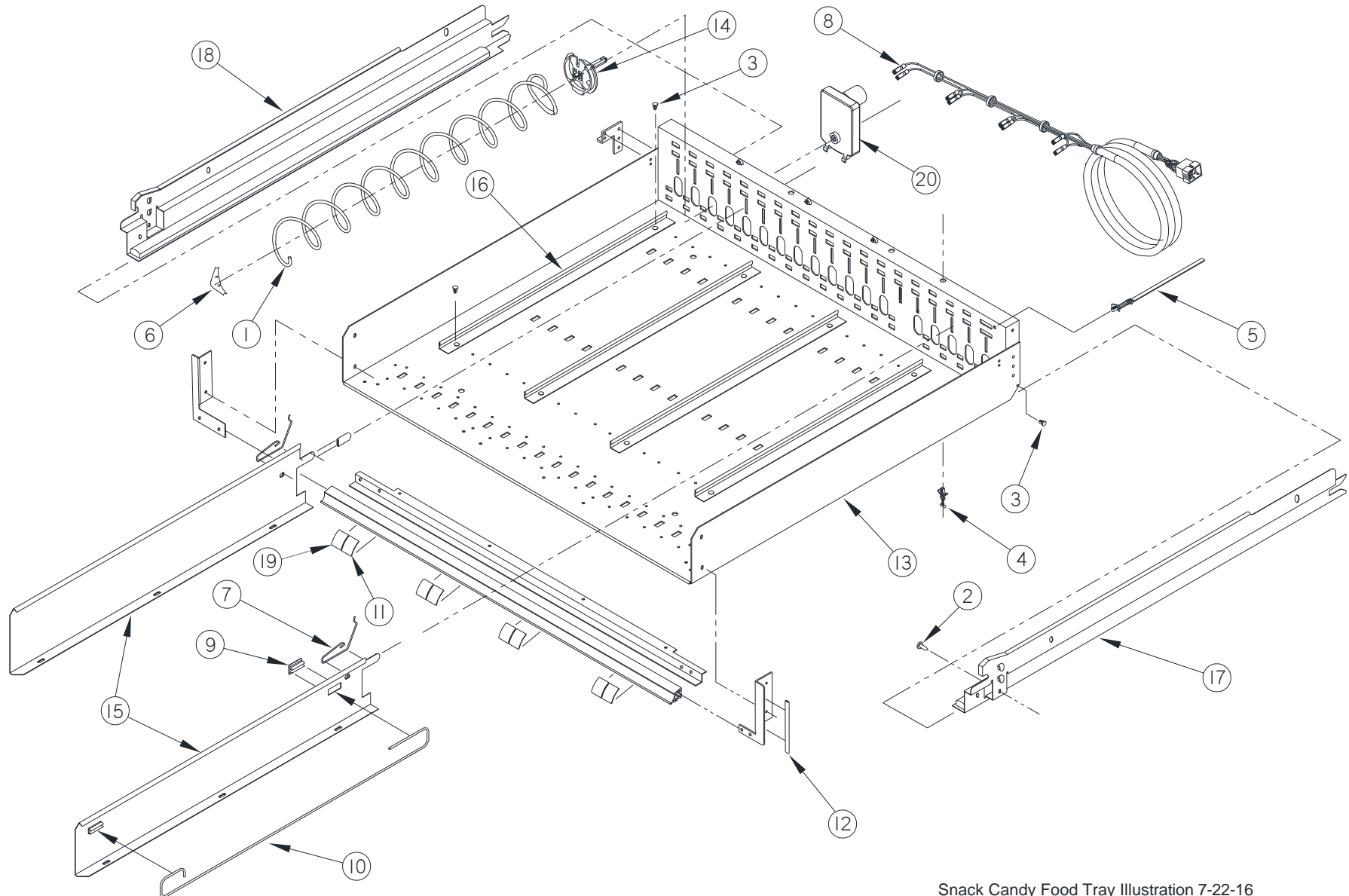


BOTTLE TRAY PARTS LIST

ITEM	PART NO	PART DESCRIPTION	QTY.	NOTE
1	3001-03	Screw, Sheet Metal, Type B, 8-18		
2	3009-02	Rivet, Pop, Steel, 1/8		
3	3015	Bearing, Nyliner, Snap-In	2	Use On 20691 And 20724 for Bottle Tipper
4	3017-05	Washer, Flat Steel, SAE STD #5		For Rivet Reinforcement
5	3021	Protective Cap, Vinyl		Obsolete Part
6	3042-01	Wire Tie, Panel Mount	1	
7	3111	Helix Ejector, Small Helix		
8	3189-01	Tape, UHMW Polyethylene, 3/4" X .005"		24" Per Selection
9	23007	Motor, with Home Circuit		CW, Use w/Coupled Motors
10	20147	Harness, Tray, 10 Column	1	
11	20465-03	Extrusion, Price Marker, Ver. 2	1	
12	20644	Tray Doubler, Bottle (39")	1	
13	20672	Tray Corner, Bottle, Right		Use With 20690 Without Bottle Tipper
14	20690	Assembly, Bottle Tipper Bar	1	
15	20691	Tray Corner, Bottle Tipper Bar, Right		Use With 20690 For Bottle Tipper
16	20692	Device, Bottle Alignment		
17	20724	Tray Corner, Bottle Tipper Bar, Left		Use With 20690 For Bottle Tipper
18	20725	Tray Corner, Bottle, Left		Use With 20690 Without Bottle Tipper
19	20775	Tray Reinforcement, Bottle (39") Ver. 2	1	
20	20796-01	Edge Guard, Tray Corner (Only RH)	1	Use On 20672 Without Bottle Tipper
21	20796-02	Edge Guard, Tray Corner (Only RH)	1	Use On 20691 For Bottle Tipper
22	20956	Tray Divider, Reduced Depth (Square Front)		3.37" High (Optional Part)
23	20960	Tray Body, Bottle, Reduced Depth (39")	1	
24	20980	Rail, Bottle Tray, Reduced Depth (RH)	1	
25	20980-01	Rail, Bottle Tray, Reduced Depth (LH)	1	
26	20962	Bracket, Bottle Tray Rail, Reduced Depth (RH)	1	
27	20962-01	Bracket, Bottle Tray Rail, Reduced Depth (LH)	1	
28	20966	Helix Adapter, Without Hub		
29	21276	Tray Divider, Reduced Depth, Tapered Front		3.37" High
30	21336	Helix, 3" Counter-Clockwise		See Helix Description Section For Options.
31	21374	Tray Divider, Reduced Depth, Tapered Front, High		4.9" High (Optional Part)
32	21475-02	Rail Slide, Full Extension, 24"	1	1 Pair

Tray also comes in scrolling price option. Contact your distributor for details.

SNACK/CANDY/FOOD TRAY ILLUSTRATION

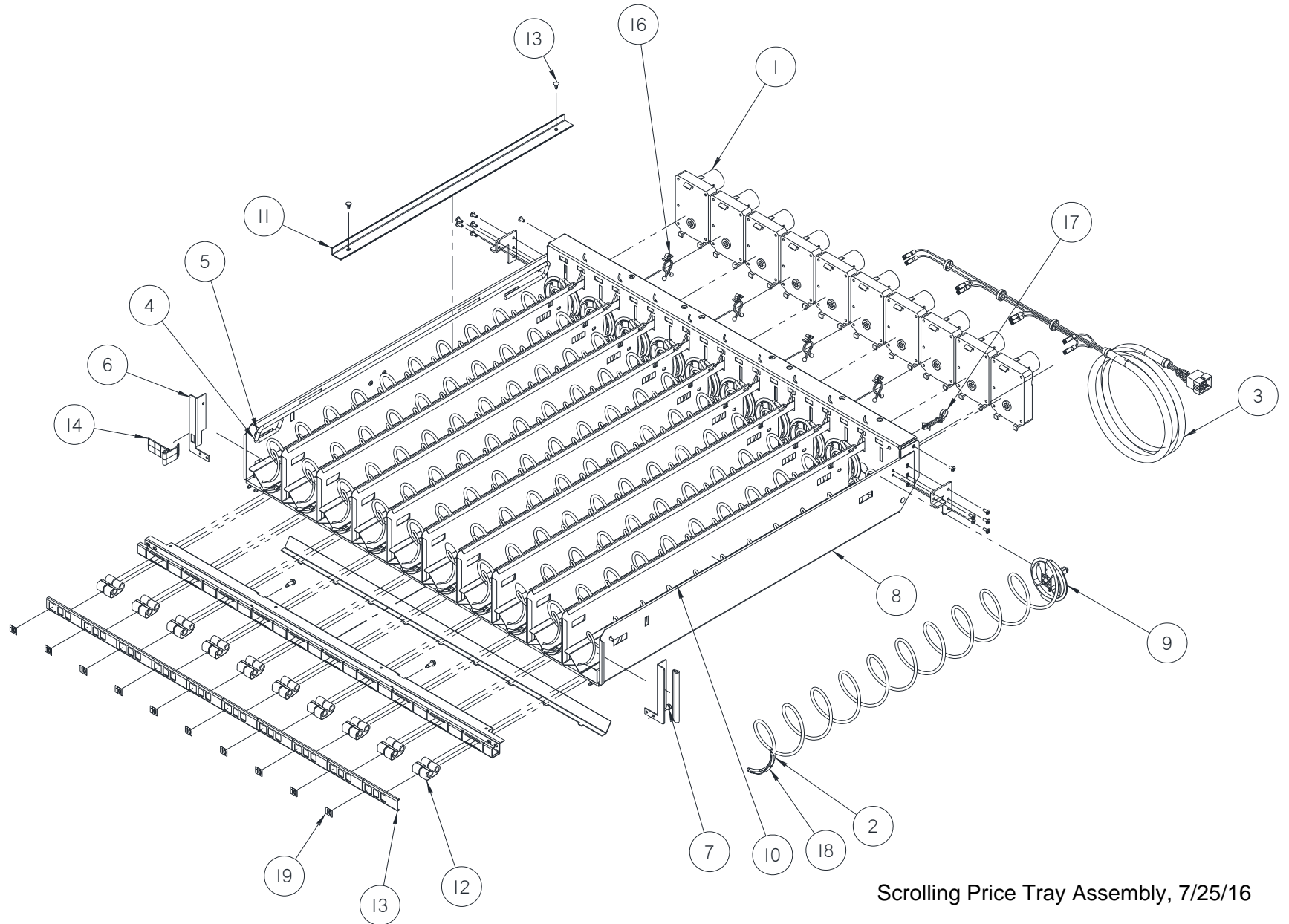


Snack Candy Food Tray Illustration 7-22-16

SNACK/CANDY/FOOD TRAY PARTS LIST

ITEM	PART NO.	PART DESCRIPTION	QTY.	NOTE
1	-----	Helix		See Helix Table
2	3000	Screw, Sheet Metal, 8-18		Safety Screws for Rails
3	3019	Canoe Clip		2 Per Helix Alignment Device
4	3020	Wire Tie, Standoff		
5	3042-01	Wire Tie, Panel Mount	1	
6	3111	Helix Ejector		Optional
7	20133	Tray Divider Spring		1 Per Divider
8	20147	Harness, Tray, 10 Column	1	
9	20220	Extrusion, Candy Pusher		Per Divider With Cut-outs
10	20221	Bar, Candy Pusher		Per Divider With Cut-outs
11	20614	Label Sheet, Reduced Height Price		
12	20796-01	Edge Trim, Tray Corner		Right Hand Corner Only
13	20955	Tray Body, Reduced Depth (39")		
14	20966	Helix Adapter, Without Hub		
15	21138	Tray Divider, VER 2, 3-3/8" High		Select Type, Numbers To Form Columns
	21139	Tray Divider, VER 2, 4-7/8" High		Select Type, Numbers To Form Columns
	23664	Tray Divider, VER 2, 8" High		Select Type, Numbers To Form Columns
16	22192	Helix Alignment Device		
17	22250	Assembly, Rail, Snack, Right		
18	22251	Assembly, Rail, Snack, Left		
19	22909	Label Sheet, Reduced Height Location		
20	23007	Motor, With Home Circuit		CCW
	23007-01	Motor, With Home Circuit		CW, Use w/Coupled Motors

SCROLLING PRICE SNACK TRAY ILLUSTRATION (10-Selection Shown)

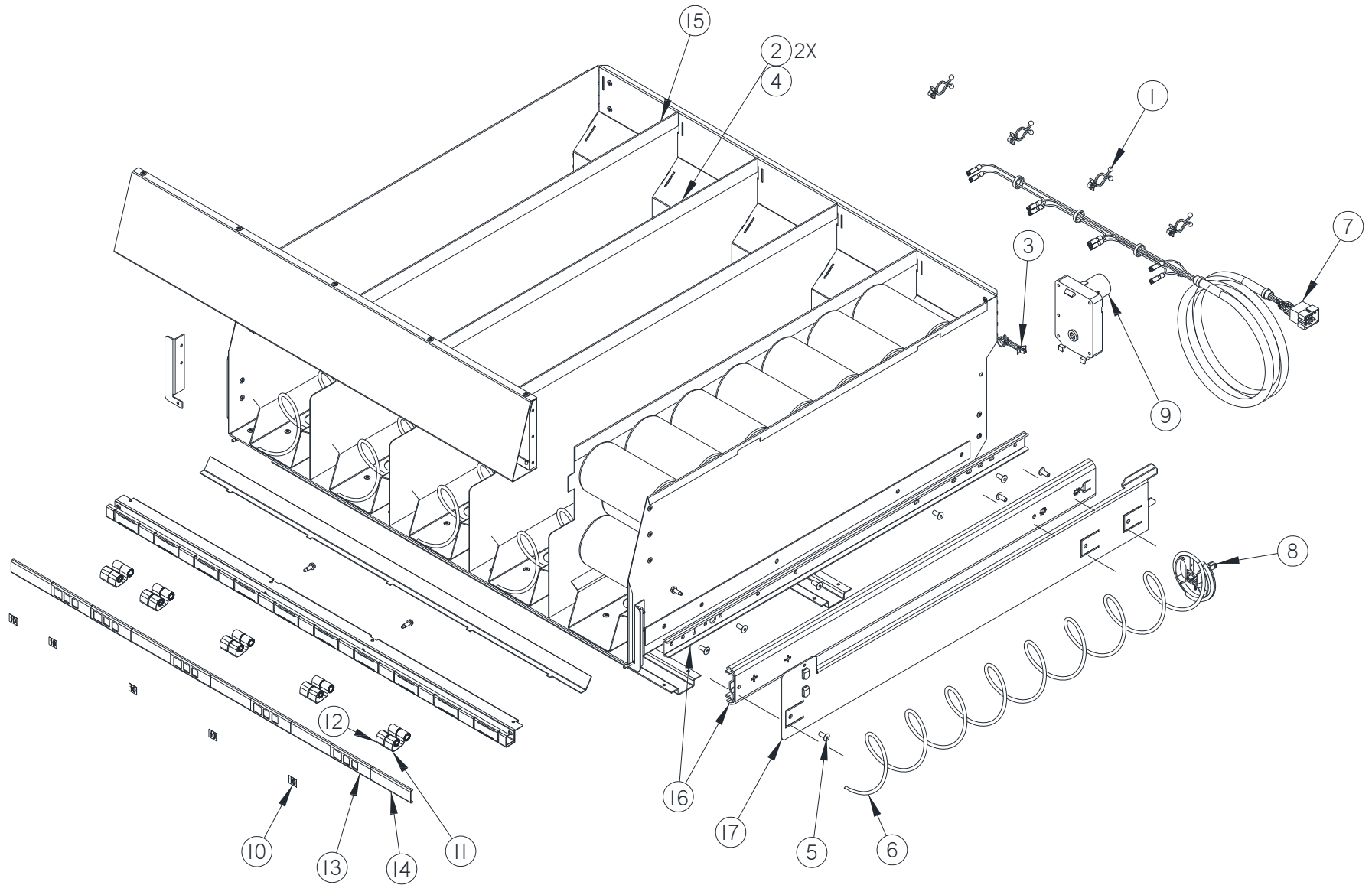


Scrolling Price Tray Assembly, 7/25/16

SCROLLING PRICE SNACK TRAY PARTS LIST

ITEM	PART NO.	PART DESCRIPTION	QTY.	NOTE
1	23007	Motor, Counter Clockwise		
	23007-01	Motor, Clockwise		Optional, Use for Coupled Motors
2	-----	Helix		See Helix Table.
3	20147	Harness, Tray 10 Column	1	
4	20220	Extrusion, Candy Pusher		Optional
5	20021	Bar, Candy Pusher		Optional
6	20545	Tray Corner, Ver. 2		
7	20796-01	Edge Trim, Tray Corner	1	Right Hand Side Only
8	24055	Tray Body (39")	1	
9	20966	Helix Adaptor		1 Per Motor
10	21138	Divider, Standard, 3 3/8" High		
	21139	Divider, High, 4 7/8" High		Optional
	23664	Divider, Extra High, 8" High		Optional
11	22192	Helix Alignment Device		Optional
12	23322	Scroll, Price Label, 1-20		
	23321	Scroll, Price Label, .00-.95		
13	23791	10 Select Cover		
	23791-01	10 Select Cover, No Windows		Optional, For Dual Helix Selection
14	26774	Universal Tray Clip, .75#		
15	3019	Canoe Clip		Use 2 with Item 10
16	3020	Wire Tie Standoff	1	
17	3042-01	Wire Tire, Panel Mount	4	
18	3111	Helix Ejector		Optional
19	23292	Location Label		

HORIZONTAL CAN TRAY ILLUSTRATION

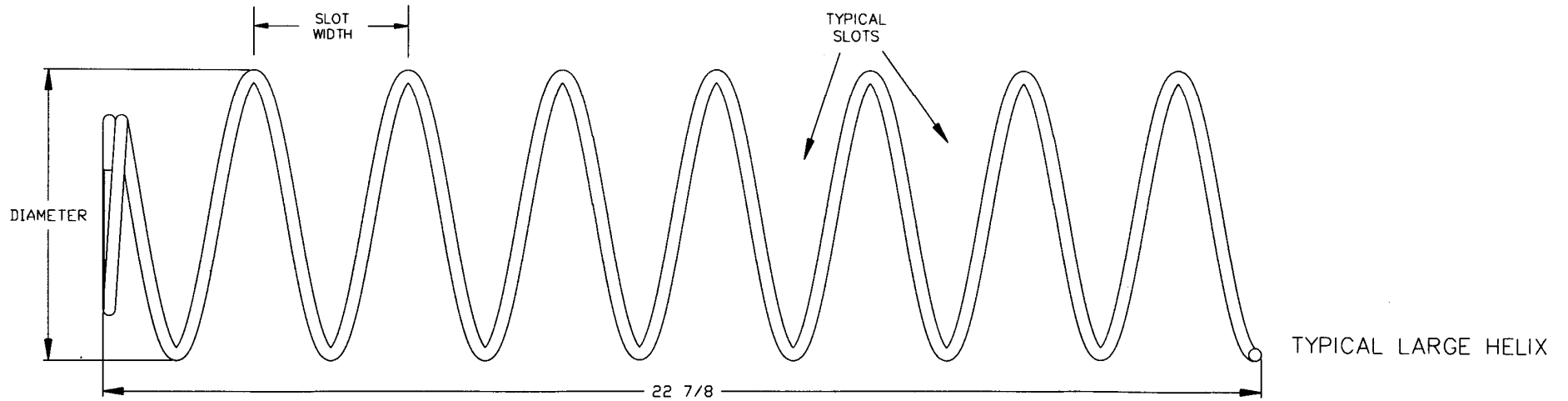
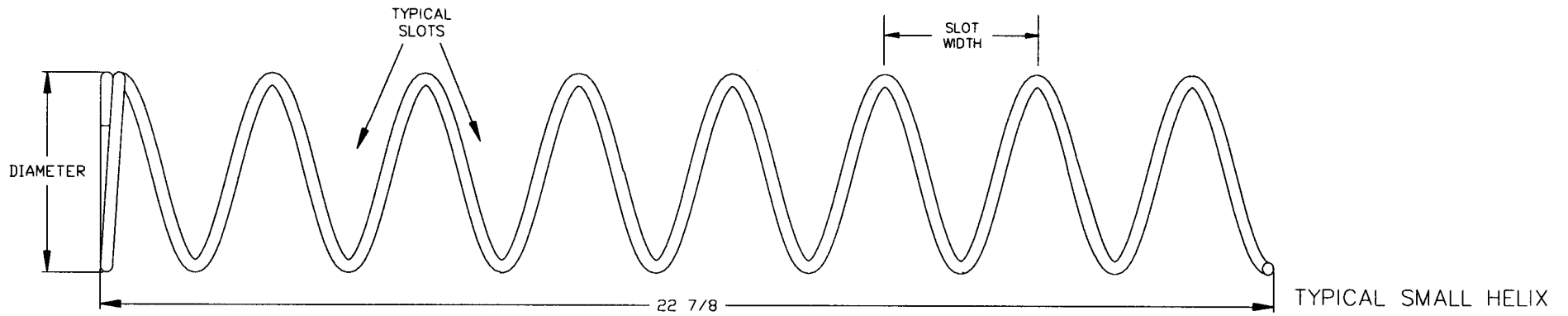
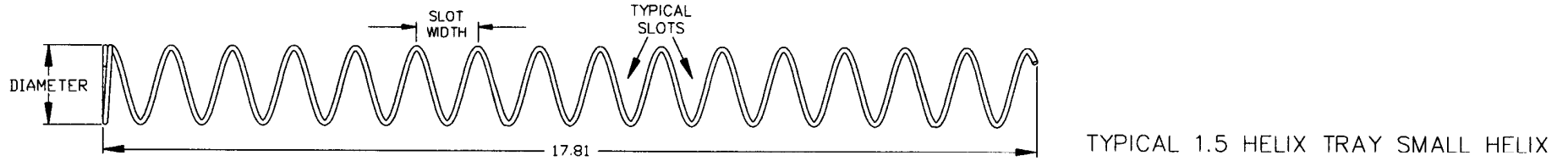


HORIZONTAL CAN TRAY PARTS LIST

ITEM	PART NO.	PART DESCRIPTION	QTY.	NOTE
1	3020	Wire Tie Standoff	4	
2	3023-15	Washer, Flat Nylon, 1/2		4 Per Selection.
3	3042-01	Wire Tie, Panel Mount, 1" Standoff	1	
4	3286-01	Snap Rivet		2 Per Selection.
5	3709-02	Rivet, Steel, 3/16 Dia., .125 to .25 Grip L	16	
6	20120-07	Helix, 2.6" CCW, Painted (7-Pitch)		Australian Can
	20120-08	Helix, 2.6" CCW, Painted (8-Pitch)		U.S. and European Can
7	20147	Harness, Tray, 10 Column		1 Per Tray
8	20966-01	Helix Adapter, w/o Hub		1 Per Selection
9	23007	Motor, W/Home Circuit, CCW (S3)		1 Per Selection
10	23292	Label, Adhesive, Location, Rectangle		
11	23321	Scroll, Price Label, .00 - .95 with Decimal		
12	23322	Scroll, Price Label, 1-20		
13	23791	Cover, Scrolling Price, 10 Select		1 Per Selection.
14	23791-01	Cover, S/P, 10 Select, No Windows		1 Per Selection
15	24114	Divider, Horizontal Can Tray		
16	24186-02	Slide Set		1 Set Per Tray. Sold as a Set Only.
17	24191	Rail, Slide Mounting, Horizontal Can Tray		

*Tray also comes in standard pricing option. Contact your distributor for details.

HELIX ILLUSTRATIONS



HELIX PARTS LIST

PART NO.	HELIX DESCRIPTION *	SLOT (VEND) WIDTH	NUMBER OF SLOTS (PITCH)	HELIX OUTSIDE DIAMETER	TURNS	QTY PER COLUMN	NOTE
20119-05	Helix, Small CW, Black	4	5	2.6	CW	1	Use With 20120-05 As A Set
20119-07	Helix, Small CW, Black	2 5/8	7	2.6	CW	1 Set	Use With 20120-07 As A Set
20119-09	Helix, Small CW, Black	2 1/4	9	2.6	CW	1	Use With 20120-09 As A Set
20119-10	Helix, Small CW, Black	1 7/8	10	2.6	CW	1 Set	Use With 20120-10 As A Set
20120-05	Helix, Small CW, Black	4	5	2.6	CCW	1	
20120-07	Helix, Small CCW, Black	2 5/8	7	2.6	CCW	1 Set	
20120-08	Helix, Small CCW, Black	2 1/2	8	2.6	CCW	1	
20120-09	Helix, Small CCW, Black	2 1/4	9	2.6	CCW	1	
20120-10	Helix, Small CCW, Black	1 7/8	10	2.6	CCW	1 Set	
20120-12	Helix, Small CCW, Black	1 7/8	12	2.6	CCW	1	
20120-15	Helix, Small CCW, Black	1 7/8	15	2.6	CCW	1	
20120-18	Helix, Small CCW, Black	1 7/8	18	2.6	CCW	1	
20120-24	Helix, Small CCW, Black	1 7/8	24	2.6	CCW	1	
20120-32	Helix, Small CCW, Black	1/2	32	2.6	CCW	1	
21207-15	Helix, 1.5", CCW, Black	1	15	1.5	CCW	1	Use in 1.5" Helix Tray
21207-25	Helix, 1.5", CCW, Black	9/16	25	1.5	CCW	1	Use in 1.5" Helix Tray
21336	Helix, 3", CCW, Black	3.5	6	3	CCW	1	Bottle Tray
21337	Helix, 3", CCW, Black	3.2	6	3	CCW	1	Bottle Tray
21465-04	Helix, 3.75" CCW, Black	4 1/8	4	3.75	CCW	1	Large Diameter
21465-05	Helix, 3.75" CCW, Black	3 1/4	5	3.75	CCW	1	Large Diameter
21465-07	Helix, 3.75" CCW, Black	2 5/8	7	3.75	CCW	1	Large Diameter
21465-09	Helix, 3.75" CCW, Black	2	9	3.75	CCW	1	Large Diameter
21465-10	Helix, 3.75" CCW, Black	1 3/4	10	3.75	CCW	1	Large Diameter
21465-12	Helix, 3.75" CCW, Black	1 1/2	12	3.75	CCW	1	Large Diameter
21465-15	Helix, 3.75" CCW, Black	1 1/4	15	3.75	CCW	1	Large Diameter
23268-10	Helix, 1.5", CCW, Black	1 7/8	10	1.5	CCW	1	Use in 1.5" Helix Tray
23268-20	Helix, 1.5", CCW, Black	1	29	1.5	CCW	1	Use in 1.5" Helix Tray
23268-32	Helix, 1.5", CCW, Black	1/2	32	1.5	CCW	1	Use in 1.5" Helix Tray

General Note: Please call AMS if a helix with a special pitch is required. Also, the quantity of helices required depends on the vendor

THIS PAGE INTENTIONALLY LEFT BLANK