

Coca-Cola

Parts Manual

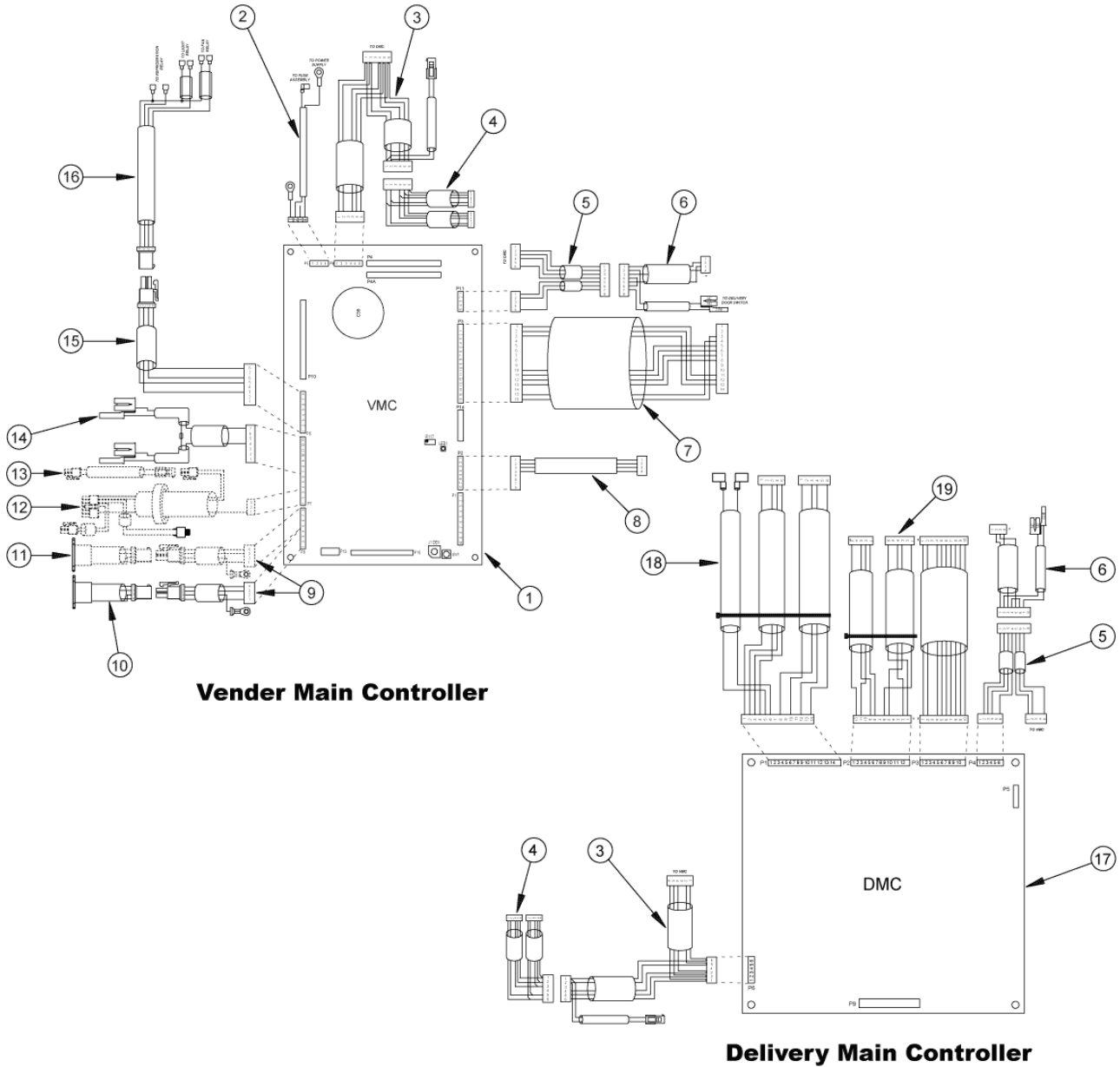
Royal - RVV 500 (VISION VENDOR)



RVV NG Specifications

Dimensions (280 cap.)	72"H x 37"W x 35.5"D
Approximate Empty Weight	702 lbs.
Operating Voltage	115 VAC, 60 Hz
Amperage Rating	9 Amp
Charge	8.0 oz. R134a
Construction	Steel cabinet, plastic cells, glass front
Configuration	40 selections

RVV NG MAIN CONTROLLERS



Vender Main Controller

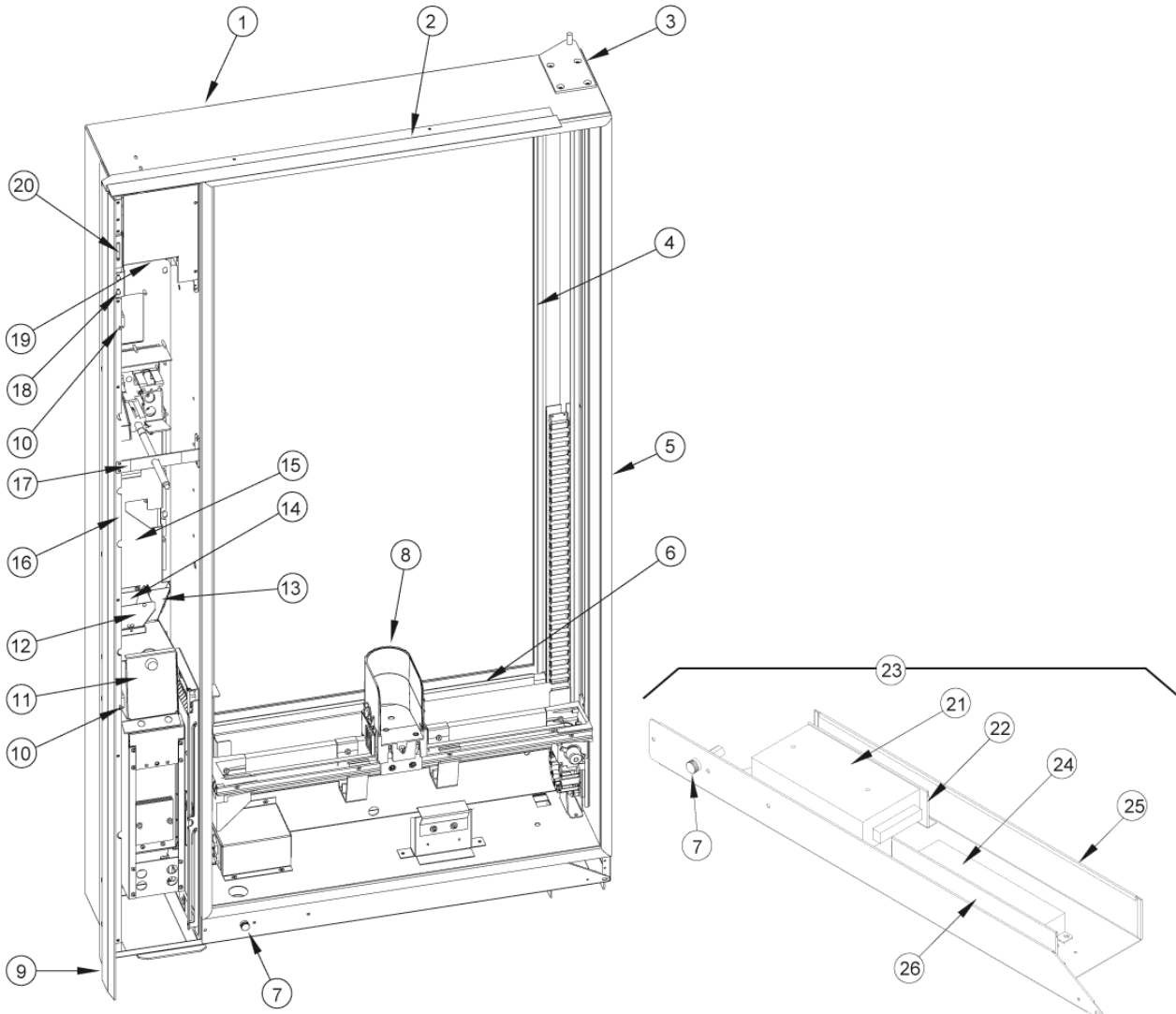
Delivery Main Controller

Item No.	CCP Part#	Mfg. Part#	CONA Material#	Description
NR	149361	356944	150077967	COVER,CONTROL BOARD,RVV500
NR	516498	BPS-842148	150006438	HARNESS,AUXILIARY DEX JACK,GIII, ROYAL RVV500
NR	160182	BL-RV-DSP-ADA	150080186	DECAL,BLACK,RVV,ADA DISPLAY PLATE,4 .46 X 7.125
1	147591	836325	150072056	BOARD,CONTROL,VMC,RV-500,GEN II
1.1		408089-3.16R	150072056	BOARD VMC RVV500 REBUILT
1.2		408090-7.2R	150072056	BOARD DMC RVV500 REBUILT
1.3	150671	836319	150079968	BOARD,PC,ASSY,EZ LOAD DMV,W/JUMPER
2	114731	842551	150023009	HARNESS,24V POWER,RVV2
3	109347	842555	150024911	HARNESS,DMC MDB
4	505764	842116	150008871	HARNESS
5	113009	842552	150023668	HARNESS,DMC/MC DEL DR. PW RVV2
6	109348	842553	150024910	HARNESS,DELIVERY DOOR SWITCH PORT
7	112450	842550	150023864	HARNESS,TOUCH PAD,RVV NG
8	115540	842547	150022623	HARNESS,SERIAL DISPLAY,RVV2
9	109877	842557	150024687	HARNESS,SENSOR,TEMP,RV V500 (HARNESS ONLY)
10	107921	842558	150025504	SENSOR,TEMPERATURE,RVV NG
11		842564	150025504	Health Sensor RVV NG (Optional)

Main Controllers

Item No.	CCP Part#	Mfg. Part#	CONA Material#	Description
12		842554	150025504	Electronic Door Lock Harness, Door Side RVV NG (Optional)
13		842465	150025504	Electronic Door Lock Harness, Cabinet Side RVV NG (Optional)
14	113008	842556	150023669	HARNESS,DUAL, DOOR SWITCH,RVV2
15	110684	842559	150024247	HARNESS,REFRIG.,DOOR SIDE,RV V500
16	110683	842530	150024248	HARNESS,REFIRG.,RV V500
17	144780	836227	150059709	BOARD,CONTROL,DMC
18	113120	842560	150023606	HARNESS,Y-AXIS,RVV2
19	119911	355089	150020087	CONVERSION,KIT,X-AXIS HARNES,RVV NG
20	148708	825046	150076951	HARNESS,SPLIT,WRAP
21	148720	394562	150076963	SWITCH,DOOR,HAT SECTION,RVV ADA2

RVV NG DOOR ASSEMBLY, REAR



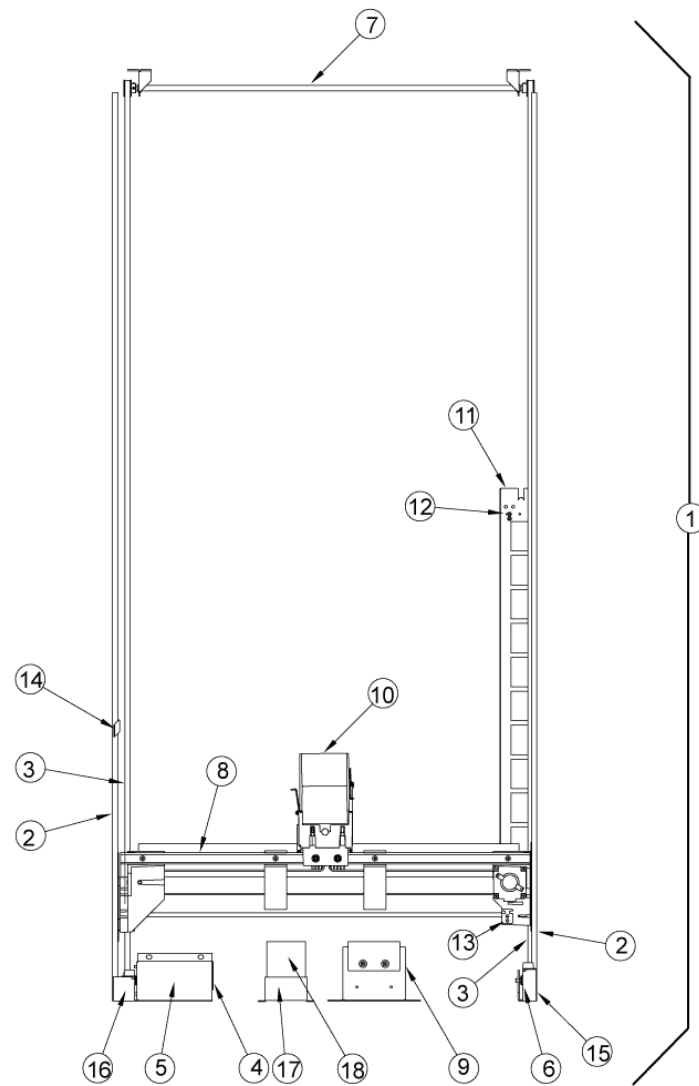
Ballast Box Assembly

Item No.	CCP Part#	Mfg. Part#	CONA Material#	Description
NR	113869	BE968311	150023265	CORD,POWER,W/IN LINE,GFCI (134") GFV BREAKAWAY HARNESS
NR	113865	842701	150023267	CORD,PWR,REPLACEMENT,W/GFCI,RY GVV
NR	132615	356514	150012015	BRACKET,RVV2,BTM DOOR SWITCH
NR		931616	150012015	Wiring Diagram
NR		355517	150012015	Stud Adjustment Plate
NR	1069900	4PL16	150000682	BULB,F32T8/SPP41/ECO,48 IN, 36/CS, 32W, COOL
NR	145464	842368	150061887	HARNESS,CDC,LAMP RELAY
NR	146139	835036	150064771	SWITCH,DOOR,EMB #604E
1	109303	356530SRV	150024935	DOOR,COMPLETE,RV V 500,W/O ELEVATOR
2		337581	150024935	Rain Guard RVV
3	117006	810120	150021798	HINGE, TOP DOOR, ASSY,RVV
4		356559	150021798	Glass Retainer, Left
4.01		356558	150021798	Glass Retainer, Right
5	114534	815770	150023132	GASKET,MAIN DOOR,RVV, 29.425" X 63"
6	134008	350533	150011085	RETAINER,GLASS, TOP & BTM,RVV
7	109228	842531	150024966	HOLDER,LITTLE FUSE
8	114630	356797	150023072	ELEVATOR, CUP, COMPLETE ASY
9	110327	355514	150024472	PANEL,VENDOR,RV V500
10	542144	835001	150004329	SWITCH SELECTION

Door Assembly, Rear

Item No.	CCP Part#	Mfg. Part#	CONA Material#	Description
11	113038	356575	150023650	BOX,CASH,W/A RVV2
11.1	122763	350504	150018614	HOUSING,COINBOX,RVV ,PC
11.2	124488	355551	150017605	COINBOX,1IN DEEPER,W/LATCH,RVV
11.3	124761	355552	150017391	BOX,COIN,HSG,ASY,DEEP RVV NG
11.4	145587	356092	150062076	BLOCKER,COIN SLOT HOLE,RVV500,NON- ADA
12	132613	337568	150012017	HOPPER,COIN, RVV1 & 2
13	112535	337569	150023822	CHUTE,COIN BOX, RVV
14	132614	337587	150012016	PLATE,HOPPER,RVV1 & 2
15	116545	337567	150022052	HAT,SECTION,CHANGER, RVV
16	120073	356522	150020067	HARNESS,RETAINER,RVV NG
17	114595	355518	150023091	BRACKET, T HANDLE GUIDE
18	114944	356521	150022855	COVER,BILL VALIDATOR,RVV
19	111054	356512SRV	150024060	PLATE,CONTROL BOARD,LARGE,RVV2
19.01		356509	150024060	Board Cover
20	111055	356513SRV	150024059	PLATE,CONTROL BOARD,SMALL,RVV2
21	107916	838039	150025509	POWER SUPPLY,ASSY, 24 V
22		356519	150025509	Power Supply Mounting Angle
23	135792	356529SRV	150034692	BALLAST,BOX, ASSY, RVV2
23.1	134752	838046	150010588	POWER SUPPLY,LED
24	109183	838053	150024983	BALLAST,REL-2P32-LW-SC,RV V
25		356515	150024983	Ballast Box RVV NG
26		356531	150024983	Ballast Shield RVV NG

ELEVATOR / CUP ASSEMBLY RVV NG

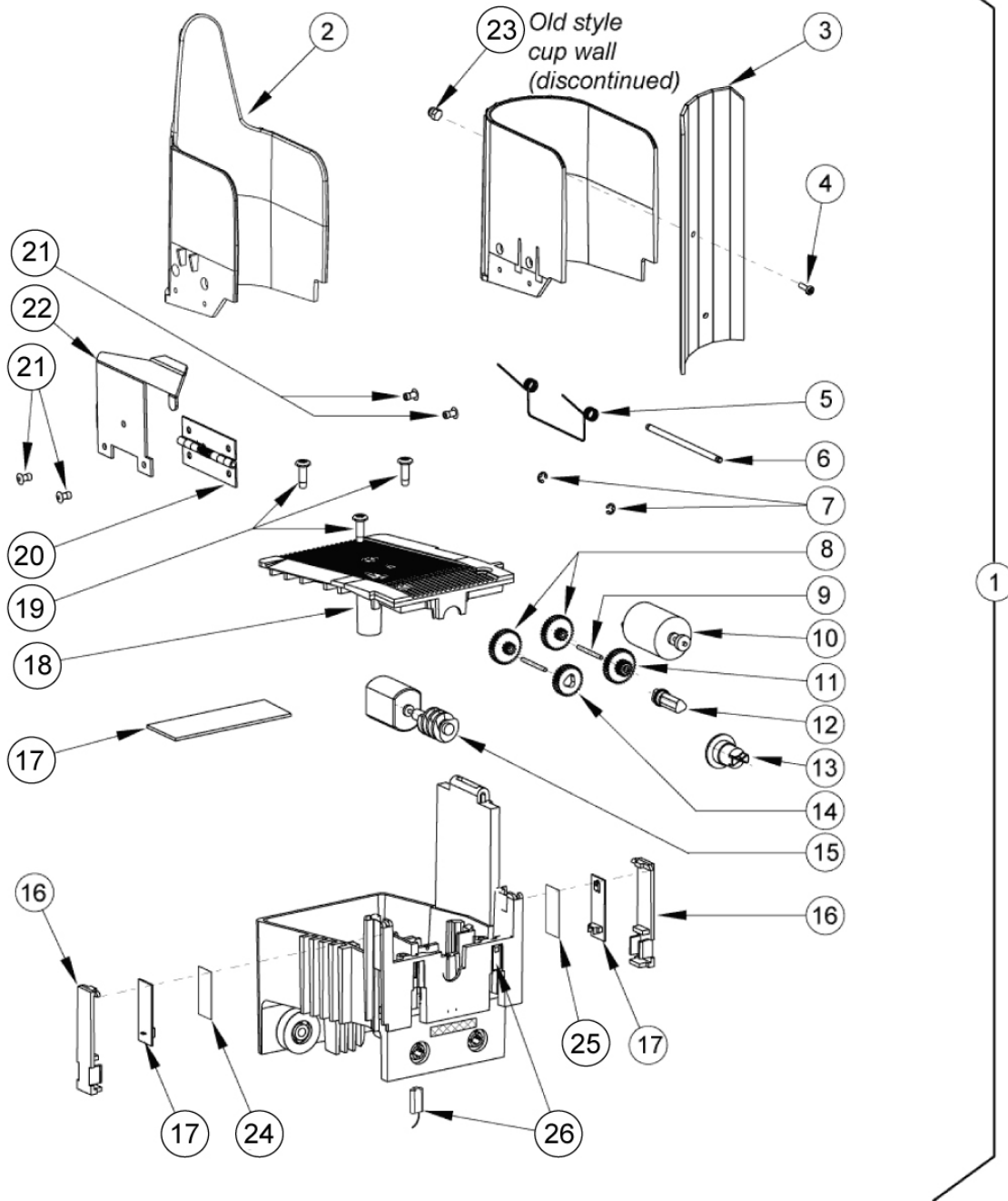


Item No.	CCP Part#	Mfg. Part#	CONA Material#	Description
NR	123574	356569-P	150018091	HOLDER,POS CARD,RVV NG COKE
NR	114846	356815	150022939	RETAINER,CUP HARNESS RVV
NR	150639	854035	150079859	BASE,EZ LOAD,SINGLE CELL,ASSY,WHITE
1	114630	356797	150023072	ELEVATOR, CUP, COMPLETE ASY
2	112900	810284	150023713	SLIDE,VERTICAL RAILS,CRS RVV2
3	111056	356733	150024058	BELT,TIMING,RBRW500
4	127958	356803	150014935	COVER,Y-MOTOR,RVV NG
4.1	146567	356849	150066996	COVER,Y MOTOR,RVV NG
5	107920	356856SRV	150025505	MOTOR,Y-AXIS, VEND
6	119278	356821SRV	150020553	IDLER,BOTTOM,ASSY, RVV NG
7	109738	356820SRV	150024756	IDLER, TOP, ASSY
8	109919	356847SRV	150024661	ELEVATOR,ASSY,RV V
9	115674	356831SRV	150022549	SENSOR,Y-HOME
9.01	109903	356822SRV	150024672	SWITCH,WIRE HARNESS
10	107922	815621	150025503	CUP,PRODUCT,RVV2
11	114700	356823	150023030	BRACKET,CABLE CHAIN GRD STUD RVV2
11.1	143990	356649	150057919	ADAPTER, X-CABLE CHAIN,RVV Q.R.
12		905041	150057919	Keps Nut, #4-4
13	143888	356809	150057218	CLAMP,WIRE TIE CABLE,RVV2
14	114573	356819	150023108	BRACKET,TRIP,RVV, W/RHES

Elevator / Cup Assembly RVV NG

Item No.	CCP Part#	Mfg. Part#	CONA Material#	Description
15		356825	150023108	Elevator Bumper Assembly, Left RVV NG (200652 and before
16	125501	356824	150016879	BUMPER,ELEVATOR,ASY,RT RVV NG
17	116190	356833	150022279	BRACKET,FOAM PAD RVV2
18	116191	826054	150022278	PAD,FOAM,DAMPENER,RVV2

PRODUCT CUP ASSEMBLY RVV NG

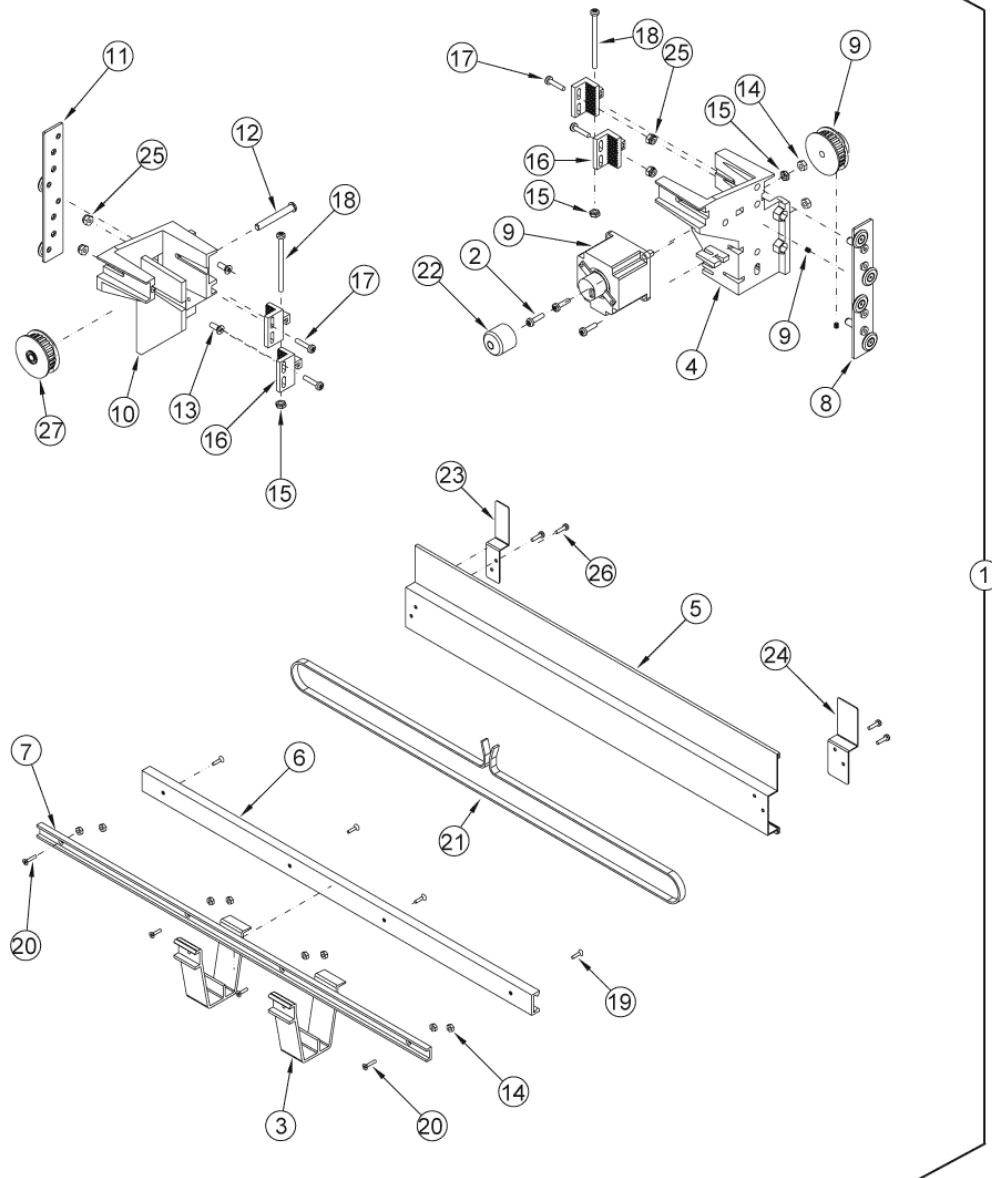


Item No.	CCP Part#	Mfg. Part#	CONA Material#	Description
NR	110810	842545	150024182	HARNESS,OPT REC BOARD,RV V2
NR	110809	842546	150024183	HARNESS,CUP,TRANSMITTER,RV V2
NR	110326	815598	150024473	CLAMP,BELT,RV V 500
NR	110325	E901104	150024474	SCREW,8/32 X .75, RV V 500
1	107922	815621	150025503	CUP,PRODUCT,RVV2
2	112662	815606	150023797	WALL,CUP,RVV NG
3		356817	150023797	Cup Extender (serial numbers 200626 and before only)
4		901110	150023797	Screw, #6-32 x 3/8" (serial numbers 200626 and before only)
5	110444	914047	150024404	SPRING,RETURN,RV V2
6	110443	803104	150024405	PIN,PIVOT CUP,RV V2
7	110445	906077	150024403	CLIP,E-RING,RV V2
8	113846	803106	150023283	GEAR,#1, RVV2 CA #926083 (48DP, 34T-20T)
9	115963	803105	150022433	SHAFT,GEAR,RVV2

Product Cup Assembly RVV NG

Item No.	CCP Part#	Mfg. Part#	CONA Material#	Description
10	113789	839051	150023314	MOTOR,DRIVE
11	113847	803107	150023282	GEAR,#2,RVV2 CA# 926085
12	113007	815610	150023670	SHAFT,DRIVE,RVV2 CA#925841.4
13	113006	815611	150023671	DRIVER,RVV2 CA # 925842.1
14	114573	356819	150023108	BRACKET,TRIP,RVV, W/RHES
15	112285	839052	150023952	PLUNGER,MOTOR,ASSY,RVV NG
16	124357	815607	150017696	COVER,SENSOR,RVV NG
17	140025	356091	150035546	KIT,CUP OPTIC SENSOR,RVV2
18	114612	815605	150023084	PLATE, TOP BLACK
19	116942	902036	150021829	SCREW,8-11X1/2 IN,PLASTITE
20	116906	812395	150021852	HINGE,SPRING,ASY,RVV NG
21	116907	E908001	150021851	RIVET,POP,1/8" DIA X 0.39 LG
22	112661	356816	150023798	ARM,TRIP,CUP,RVV NG
23		905042	150023798	Nut, #6-32, Black Acorn (serial numbers 200626 and before only)
24	111062	815608	150024052	LENS,CLEAR,RVV
25	110729	815609	150024224	FILTER,3 OD RVV2,CA#925971.1
26	109942	842544	150024643	HARNESS,CUP,H.EFF SENSOR

ELEVATOR ASSEMBLY RVV NG

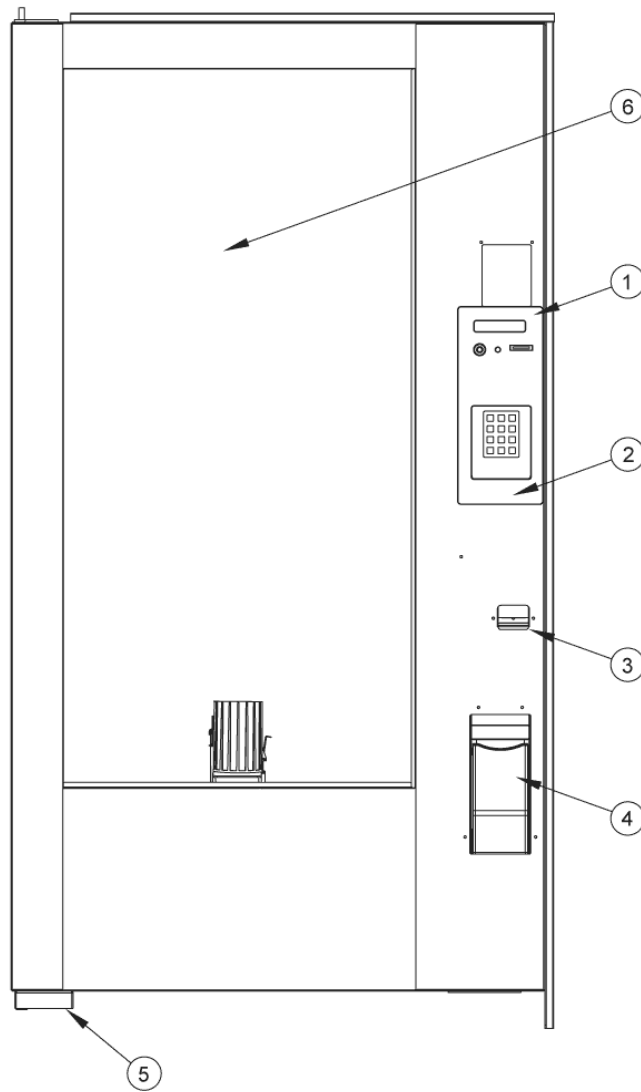


Item No.	CCP Part#	Mfg. Part#	CONA Material#	Description
1	109919	356847SRV	150024661	ELEVATOR,ASSY,RV V
2		901103	150024661	Screw, #8-32 x 5/8" Pan Head
3		815573	150024661	Center Support RVV NG
4	114637	815591	150023067	MOUNT,MOTOR,RVV2
5	116158	356818SRV	150022299	HOLDER,SIGN,X-BAR RVV NG
6	116870	813037	150021883	RAIL,V-GROVE, RVV NG
7	110917	813038	150024137	GUIDE,RAIL,RV V2
8	115576	812391	150022605	TRAVELER,MOTOR MNT,W/PINS,RVV2
9	107919	356855SRV	150025506	MOTOR,,X-AXIS,VEND
10	112977	815592	150023693	CARRIER LFT RVV2 CA#925889.8
11	115577	812390	150022604	TRAVELER,LEFT,SIDE,RVV2
12	113308	803101	150023500	SHAFT,X IDLER,,.248 DIAMETER
13		901100	150023500	Screw, #10-24 x 1/2" Flat Head
14	509937	E905001	150008013	NUT KEPS
15	120406	E905040	150019933	NUT,HEX,8-32 DOUBLE CHAMF ZINC PLT
16	112978	815594	150023692	CLAMP,Y-BELT,RVV2 CA# 925887.3
17	110325	E901104	150024474	SCREW,8/32 X .75, RV V 500

Elevator Assembly RVV NG

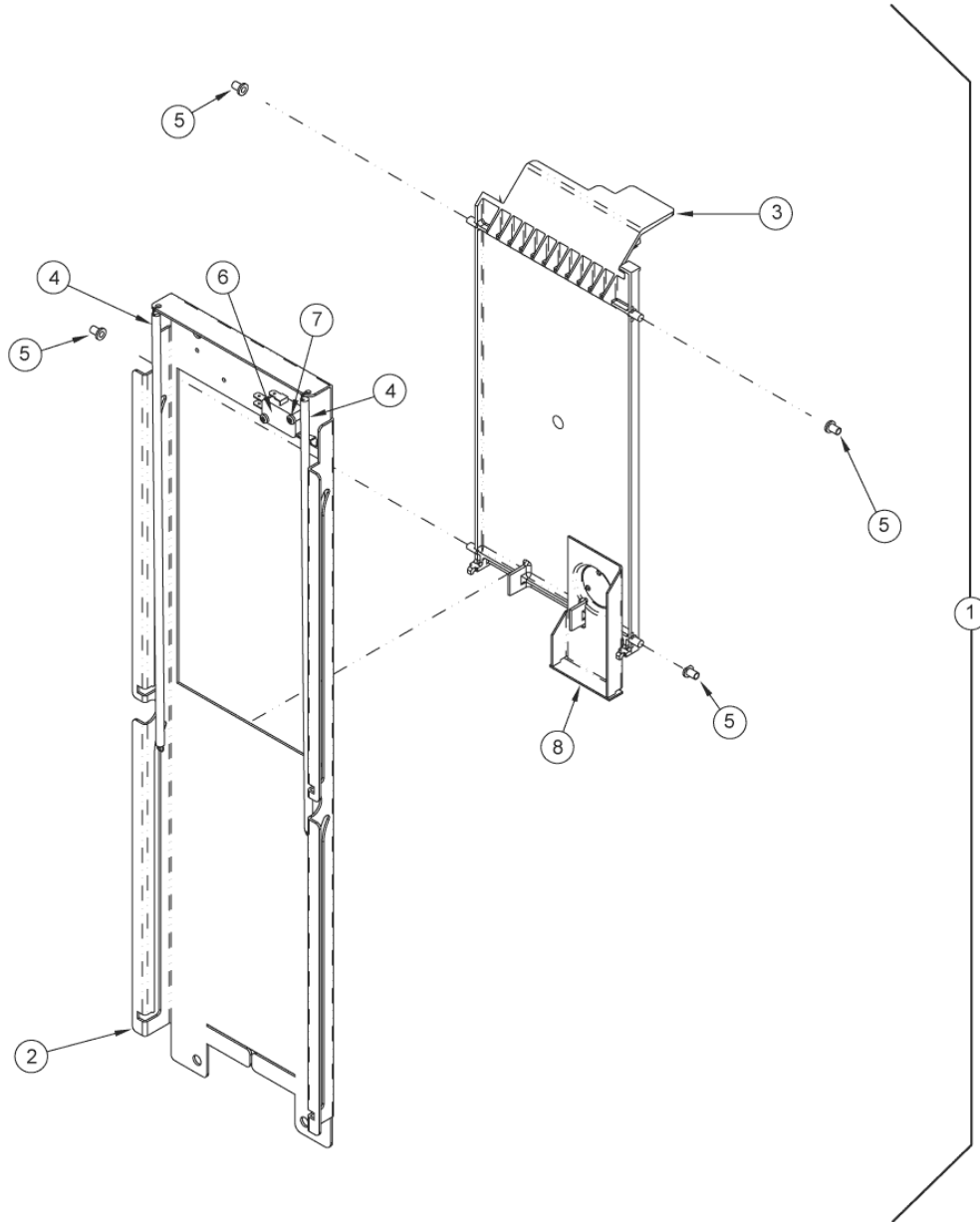
Item No.	CCP Part#	Mfg. Part#	CONA Material#	Description
18		901105	150024474	Screw, #8-32 x 2.5" Pan Head
19	110682	E901102	150024249	SCREW,8-32 X 1/2
20	110681	E901101	150024250	SCREW,8-32 X 5/8
21	143904	356731	150057727	BELT,TIMING,X AXIS,RVV500, 55.8
22		815593	150057727	X-motor Cover RVV NG
23	116944	356814	150021828	SPACER,SIGN,RIGHT,RVV NG
24	116945	356813	150021827	SPACER,SIGN,LEFT,RVV NG
24.1	145775	394564	150063995	RETAINER,SIGN,LT/RT,3D VIS RVV ADA2
25	508085	905004		SCREW SELF TAPPING
26	116946	902035	150021826	SCREW 8-11X5/8 PAN HEAD,BLK,OXD
27	118663	815641	150020894	PULLEY,RVV NG,24XL037DF

RVV NG DOOR ASSEMBLY, FRONT



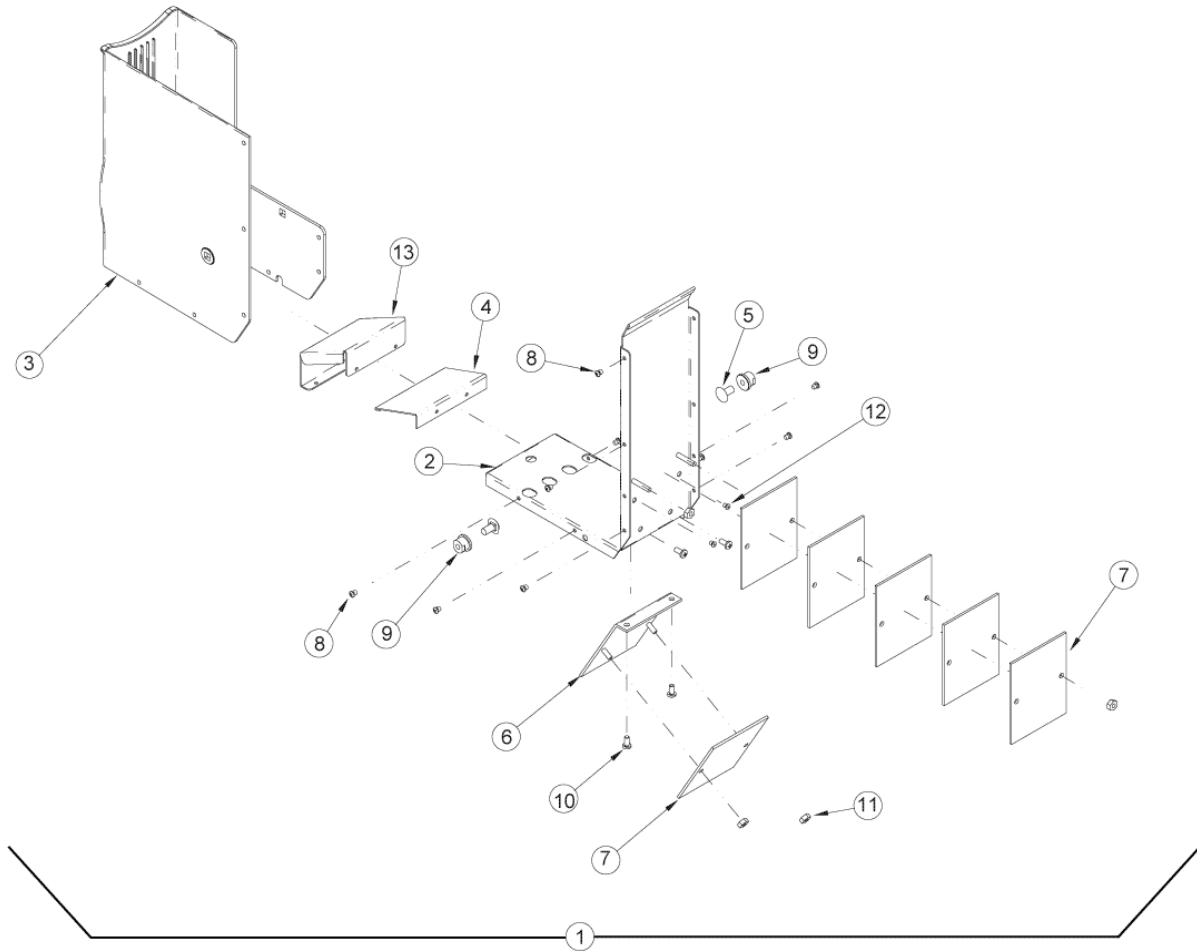
Item No.	CCP Part#	Mfg. Part#	CONA Material#	Description
NR	108904	356101	150025145	FASCIA,KIT,COCA-COLA,RED
NR	108501	356102	150025278	FASCIA,DASANI,BLACK,ROYAL
NR	144817	394999SRV	150059931	SIGN,KIT,RVV ADA2 COKE 3D VIS
NR	146607	CC-RVGF-TG	150067039	DECAL,COKE,RV500 GEN-II, TOP GLS DR, 24 X 3
1	123772	356926SRV	150017974	PANEL,SEC,ASSY,T-HAN TOUCH,RVV NG (RVV500)
2	110002	831618	150024605	DECAL,SECURITY PLATE,RV V /
3	120521	337589SRV	150019909	CUP,COIN,ASSY,RVV1 & RVV2
3.1	144745	356163	150059708	KIT,COIN CUP SECURITY,RVV
4	109547	356709	150024813	PORT,BOX,ASSY,RV V
5	117459	337599	150021511	HINGE,BOTTOM,W/A RVV
6	109179	849552	150024986	PANEL,GLASS,TEMPERED TRIPLE,RVV

PORT DOOR & SLIDE ASSEMBLY RVV NG



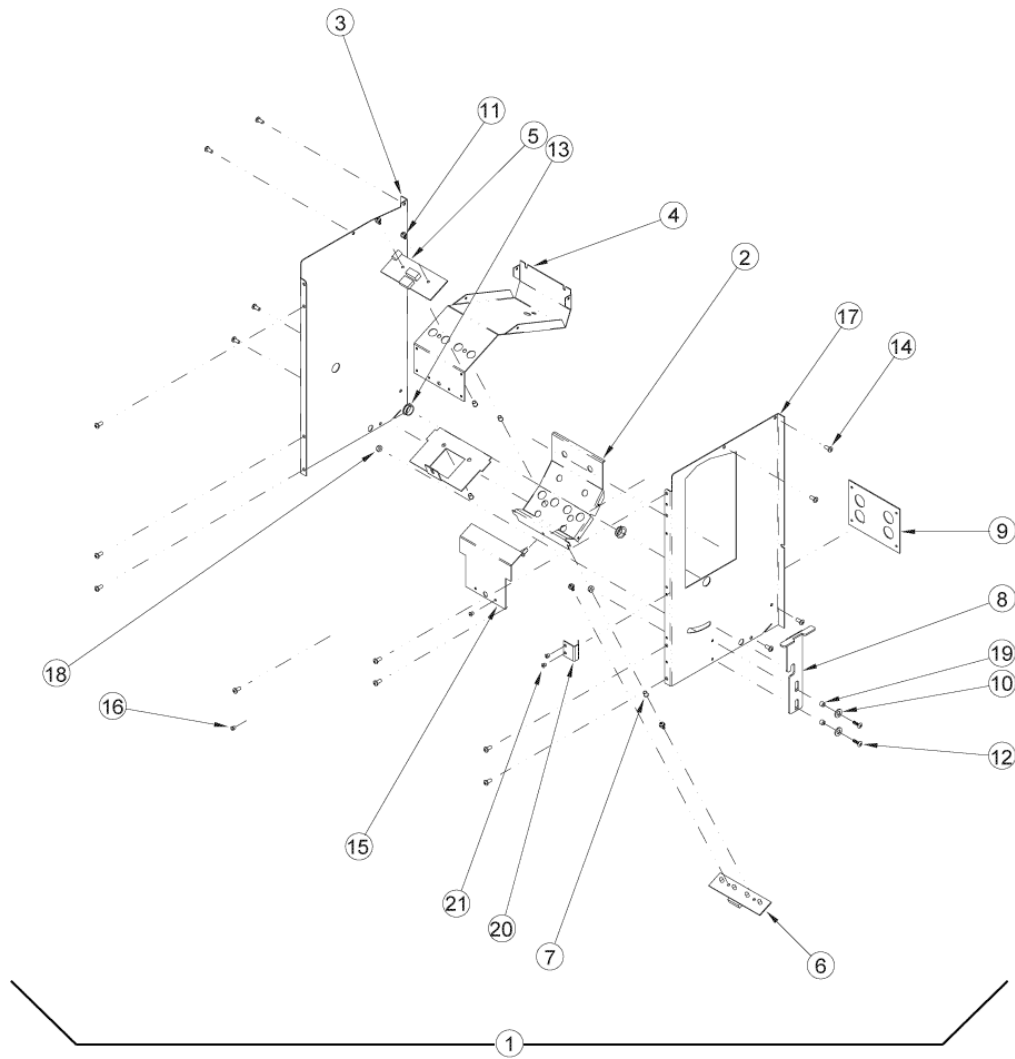
Item No.	CCP Part#	Mfg. Part#	CONA Material#	Description
NR	140217	815562	150035663	GASKET,PORT DOOR, RVV
NR	114582	356901	150023100	SPRING,GUARD RIGHT
1	109647	356580SRV	150024790	PORT,SLIDE DOOR,ASSY,RV V,
1.1	142857	366597SRV	150053774	PORT,DOOR SLIDE,ASSY,ADA, RVV2
2	110384	356585SRV	150024453	SLIDE,PORT DOOR, ASSY,RV V
3	109339	356590SRV	150024918	PORT,DOOR, ASSEMBLY
4	109130	914037	150025017	SPRING,EXTENSION,PORT DOOR
5	113175	803092	150023573	BUSHING,DEL,DOOR,11/04 RVV
6	109023	835022	150025075	SWITCH,CHERRY,KWA-0002
7		902009	150025075	Sheet Metal Screw, #4 x 5/8
8		356506	150025075	Sliding Door Stop RVV NG
9	148764	394400SRV	150077016	DOOR,REFRIG,FOAMED,ASSY,ADA2

PORT BOX ASSEMBLY



Item No.	CCP Part#	Mfg. Part#	CONA Material#	Description
NR	142755	394525SRV	150053382	PORT,ASSY, RVV ADA2
1	110162	356708	150024520	BOX,PORT, ASSY,RVV NG
2	134292	356538SRV	150010949	PORT,RVV,BOX BOTTOM W/STUDS
3	109344	815547	150024914	WRAPPER, DELIVERY BOX
4		337527	150024914	Port Box Ramp RVV
5	508046	E901007	150008422	BOLT
6	118821	337598	150020777	BRACKET,WEIGHT,W/STUD,RVV
7		337528	150020777	Port Box Weight RVV
8		908007	150020777	Pop Rivet, 1/8" diameter, 0.126 - 0.187 grip
9	110701	803079	150024236	NUT,PORT,RVV /
10	531169	E901011	150004817	SCREW SEMS
11	509937	E905001	150008013	NUT KEPS
12		908009	150008013	Steel Pop Rivet, 1/8" dia. x 0.256" lg
13		356566	150008013	Port Bottom Filler

PORT BOX HOUSING ASSEMBLY

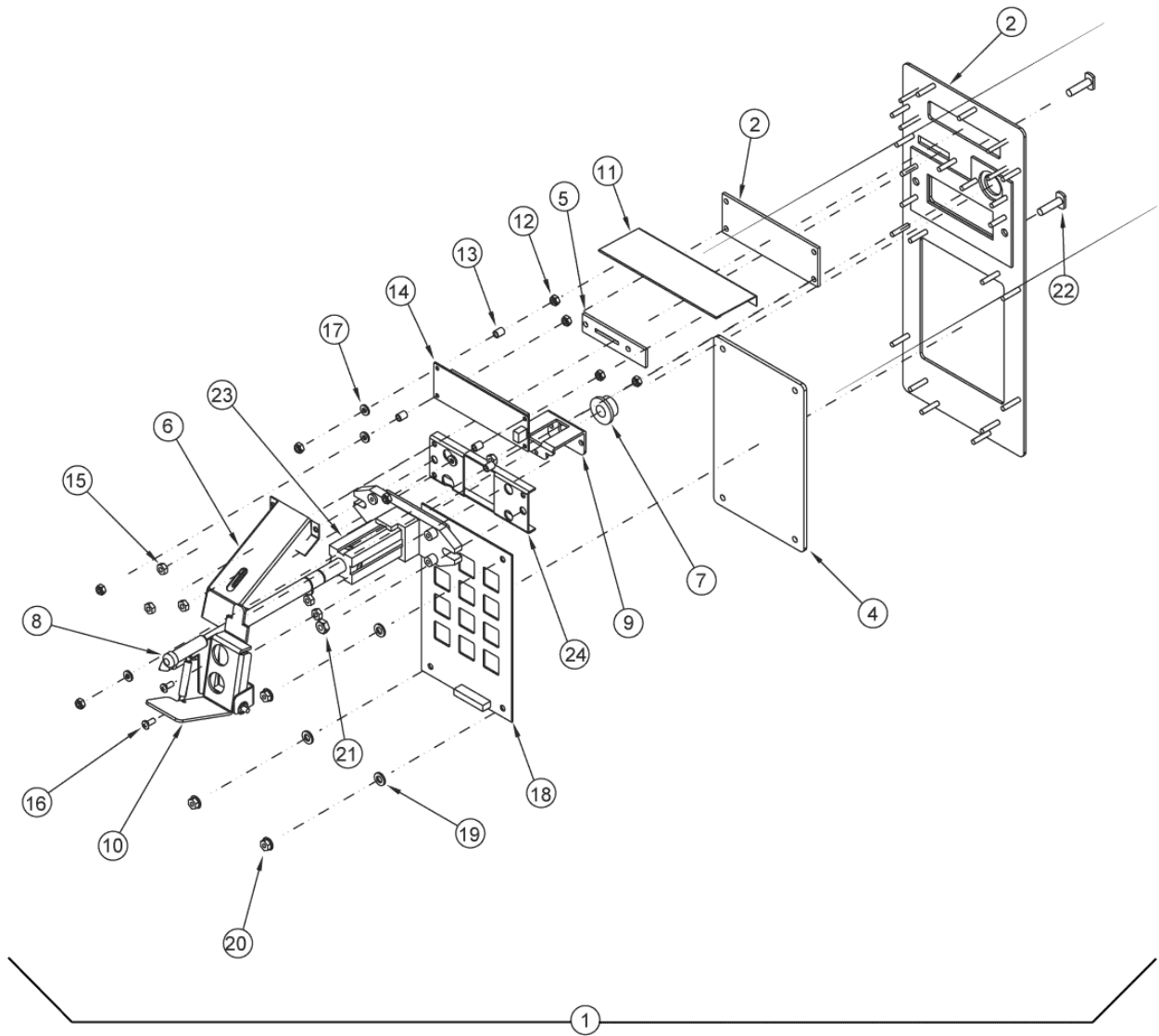


Item No.	CCP Part#	Mfg. Part#	CONA Material#	Description
1	113183	356707	150023567	HOUSING,PORT BOX,ASSY,RVV2
1.1	146865	394545SRV	150067510	BOX,PORT,ASSY,ROYAL 500,ADA2
2	109181	337524	150024985	SUPPORT,HOUSING,EMITTER BOARD,RVV
3		337522	150024985	Port Housing Right RVV
4		356516	150024985	Port Housing Top RVV NG
5	113763	842601	150023328	DETECTOR,DELIVERY,2 BEAM
5.01	109513	356710	150024833	BOARD,OPTIC,REC/EM
6	113762	842600	150023329	EMITTER,DELIVERY,2 BEAM
6.01	109178	842427	150024987	BOARD,EMITTER
7	116510	337596SRV	150022070	PLATE,EMITTER,W/STUBS
8	109514	356536	150024832	PIN,LATCH
9		337531	150024832	Port Housing Back RVV
10		904039	150024832	Flat Washer
11		901068	150024832	Sems Screw, #6-32 x 3/8" Pan Head with Flat Washer
12		901108	150024832	Screw, #6-32 x 1/2"
13	544289	916010	150003921	NYLINER 1/2IN
14	531169	E901011	150004817	SCREW SEMS
15	113657	337904	150023387	COVER,OPTIC BOARD RVV
16	510046	E908004	150007978	POP RIVET 1/8 DIA X .19 GRIP A
17		356564	150007978	Port Housing Left RVV

Port Box Housing Assembly

Item No.	CCP Part#	Mfg. Part#	CONA Material#	Description
18	530131	E905006	150004841	NUT
19		904038	150004841	Space
20	145712	356563	150063611	PORT,ASSEMBLY,SPACER,RVV2
21		908009	150063611	Steel Pop Rivet, 1/8" dia. x 0.265" lg

SECURITY PLATE ASSEMBLY RVV NG, T-HANDLE LOCK

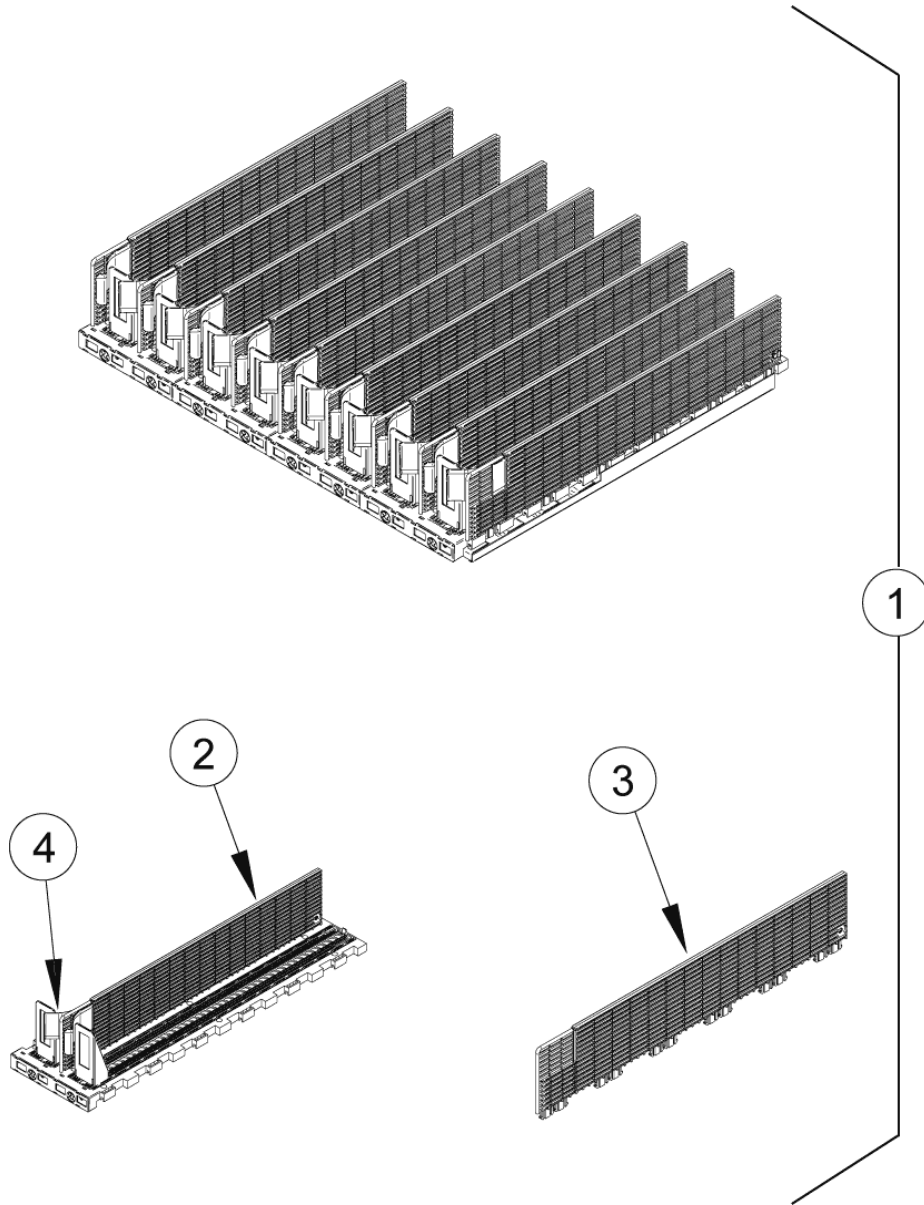


Item No.	CCP Part#	Mfg. Part#	CONA Material#	Description
NR	114067	829049	150023159	GASKET,T-STUD,RVV2
NR	114068	356936	150023158	SEALER,BCKR T-STUD,RVV2
1	123772	356926SRV	150017974	PANEL,SEC,ASSY,T-HAN TOUCH,RVV NG (RVV500)
2		350596	150017974	Security Plate Weld Assembly, RVV T-handle
2.1	146088	831624	150064707	DECAL,SECURITY PLATE,RVV HVV TRI GR
3	110121	815515	150024531	WINDOW,DISPLAY,RV V
4	113289	815532	150023513	KEYPAD,PTS,WINDOW,RVV
5	119058	815651	150020640	PLATE,COIN,DOMESTIC,RVV NG
6	116020	350591SRV	150022395	CHUTE,COIN,ASSY,RVV
7	119900	803059	150020097	BUSHING,COIN RETURN,RVV
8	504229	803031	150009216	BUTTON COIN RETURN
9		337556	150009216	Bushing Retainer RVV
10	118543	337580SRV	150020951	RETURN,COIN,ASSY,RVV
11	110120	337582	150024532	COVER,DISPLAY,RV V
12	530131	E905006	150004841	NUT
13		916079	150004841	Nylon Spacer
14	107915	836162	150025510	DISPLAY,SERIAL
15	509937	E905001	150008013	NUT KEPS
16	531169	E901011	150004817	SCREW SEMS

Security Plate Assembly RVV NG, T-handle Lock

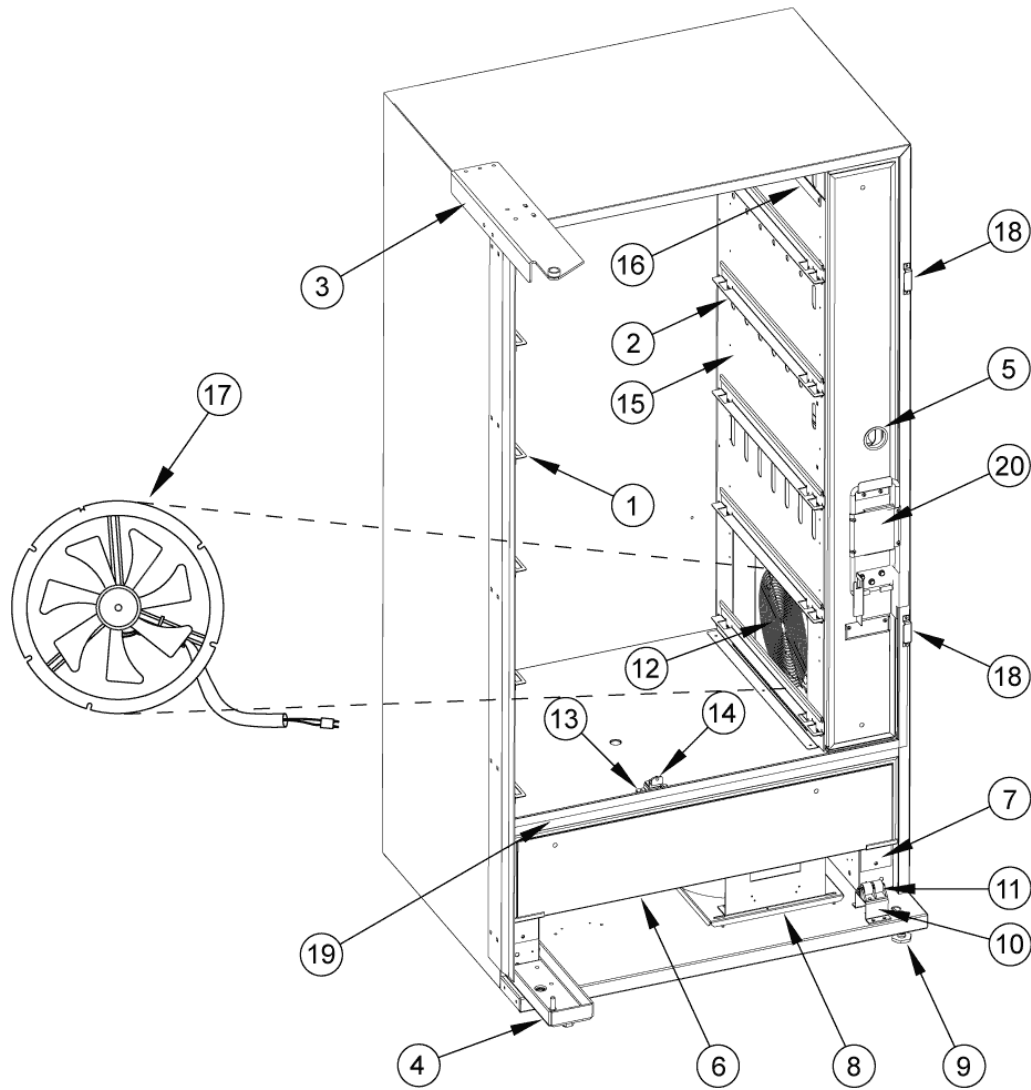
Item No.	CCP Part#	Mfg. Part#	CONA Material#	Description
17		904029	150004817	Washer, Flat Nylon, 0.173" ID x 0.375" OD x 0.062" thick
18	121986	355110	150019195	TOUCHPAD,ASSY,PTS,RV2
19		904035	150019195	Washer, Flat Nylon, 0.252" ID x 0.472" OD x 0.062" thick
20		905035	150019195	Serrated Flange Nut, #8-32
21	508373	E905002	150008369	NUT KEPS 1/4 20W/EX TOOTH WS
22	510433	E901037	150007889	BOLT TRIM TOUGH GUY,1/4-20X1
23	109342	812370	150024916	HANDLE, T ASSEMBLY, GFV
24	129028	337583	150014427	BRACE,T-HANDLE,RVV

CELL / SHELF ASSEMBLY RVV NG



Item No.	CCP Part#	Mfg. Part#	CONA Material#	Description
NR	112882	931674	150023725	DECAL,CELL BASE SELECT,RVV2
1	109354	815586	150024906	SHELF ASSY
2	107914	815599	150025511	BASE,CELL ASSY
3	115220	815600	150022746	SIDEWALL,CELLBASE,RVV NG
4	113128	815619	150023598	RETAINER,PKG,CA 925866-1.3
4.01	113127	815628	150023599	RETAINER,SIDE,PKG,CA925866-2.3

RVV NG CABINET

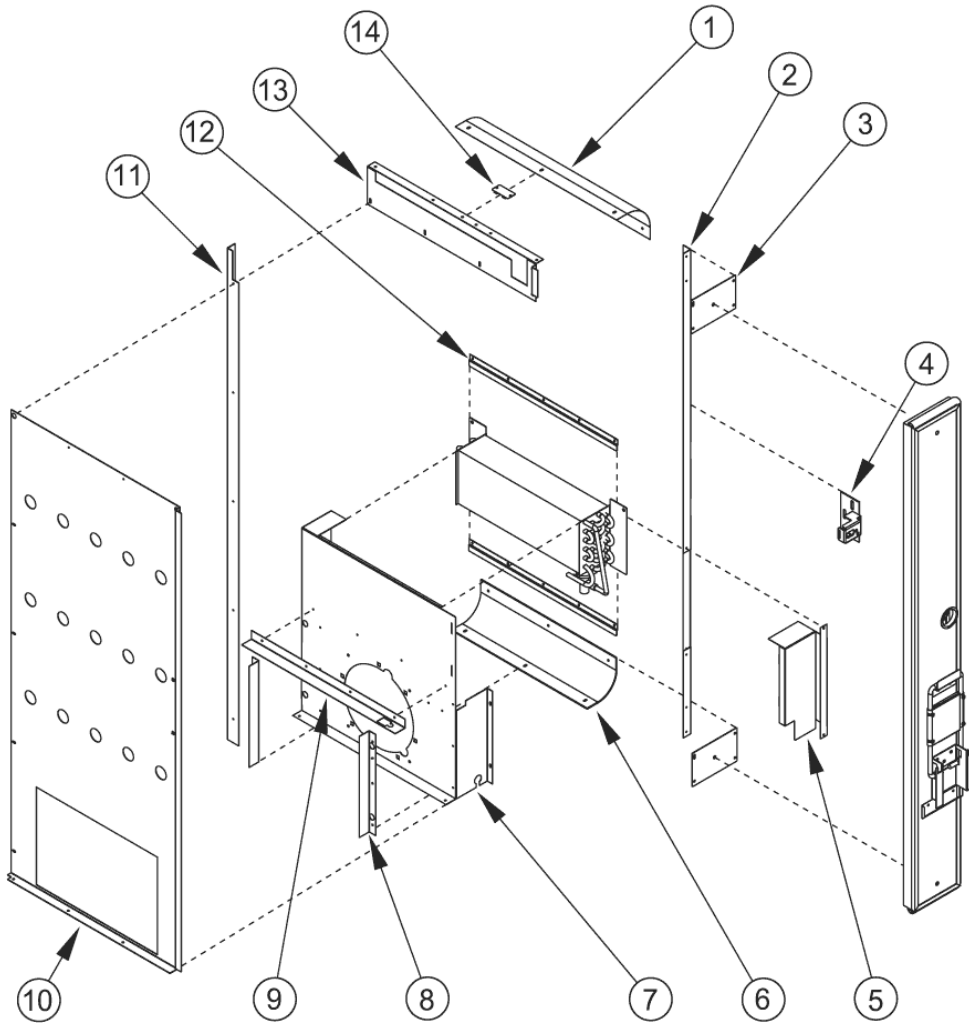


Item No.	CCP Part#	Mfg. Part#	CONA Material#	Description
NR	541428	815368	150004468	PAN, CONDENSATE,GIII
NR	110167	281003	150024517	LATCH STRIKE
NR		931662	150024517	Programming Label RVV NG
NR	1069073	842424	150001063	HARNESS WIRING MAIN
NR	110700	842413	150024237	HARNESS,POWER,HVV/FFV
NR	118367	842549	150021053	HARNESS,EMI FILTER/BALLAST,24V,RVV
NR	505502	842061	150008904	FILTER FILTER GII
NR	1065598	836290	150002571	RELAY PB
NR		356937	150002571	Door Stop Assembly RVV NG CC (bottom hinge)
NR		356116	150002571	Door Bumper RVV NG CC (top hinge)
NR	505555	815134	150008891	TUBE
NR	532716	925048	150004777	TUBE DRAIN PVC
1	115789	356701	150022502	RAIL,SHELF,LEFT,RVV500
2	115790	356702	150022501	RAIL,SHELF,RIGHT,RVV500
3	116905	810118	150021853	HINGE,TOP,ASY,CABINET,RVV
4	113184	810119	150023566	HINGE,BTM,CABINET,ASSY,RVV2
5	110389	356650SRV	150024450	HANDLE,T,ASY,INNER DOOR,WIDE, RV500
6	112991	337410SRV	150023683	DOOR,FOAMED REFRIG. ASSY,RVV
7	125957	337100	150016558	PLATE,REFRIG DR SUPPORT,RVV
8	107923	S337420	150025502	UNIT,REFRIGERATION RV V

RVV NG Cabinet

Item No.	CCP Part#	Mfg. Part#	CONA Material#	Description
9	542192	E803002	150004314	LEG,LEVELING
10	116195	337579	150022274	ROLLER,HAT SECTION,RVV
11	510038	141180	150007980	KIT DOOR ROLLER
12		811052	150007980	Fan Cover
13	109225	356808	150024968	BRACKET,X-HOME,RV V
14	109224	815596	150024969	SENSOR,X-HOME, ASSY
14.1	129621	803098	150014011	MAGNET,X-HOME SENSOR,RVV NG
15		356002	150014011	Baffle Wall
16		356000	150014011	Top Air Duct
17	129033	337049	150014422	MOTOR,EVAP FAN,ASSY,RVV,115V
18	113987	337554	150023203	SWITCH,DOOR HAT SECTION
19		829003	150023203	Foam Tape
20	116344	356138SRV	150022176	SUPPORT,CASE,ASSY, RVV NG
20.01	110931	337120	150024126	SUPPORT,CASE,ASSY,RV V500

EVAPORATOR SECTION



Item No.	CCP Part#	Mfg. Part#	CONA Material#	Description
1		337007	150024126	Top Air Guide
2		337025	150024126	Inner Door Channel, Right RVV
3	115609	337020SRV	150022588	CHANNEL,INNER DOOR, TOP/BTM,RVV
4	110167	281003	150024517	LATCH STRIKE
5	143181	337026	150054429	COVER,EVAPORATOR,RVV
6		337008	150054429	Bottom Air Guide
7	140412	337001	150035926	HOUSING,EVAP FAN,RVV1&2
8		356004	150035926	Fanport, Side RVV NG
9		356003	150035926	Fanport, Top RVV NG
10		356002	150035926	Baffle Wall RVV NG
11		356006	150035926	Inner Wall Bracket RVV NG
12		337006	150035926	Evaporator Slide RVV
12.1	148329	820010	150074462	EVAPORATOR,GFV
13		356000	150074462	Air Duct, Top RVV NG
14	105073	810085	150026773	BRACKET,TEMP SENSOR